

THIS DRAWING IS THE PROPERTY OF NORTHERN DRAFTING SERVICES LTD. ON BEHALF OF ITS CLIENT. FOR COPIES OR REVISIONS TO THIS DRAWING, PLEASE CALL 1-250-785-0131.

280-MF-05

AutoCAD 14

GROUP / TEST SEPARATOR BUILDING LIMITS

FROM GROUP SEPARATOR
280-MF-02
INLET HEADER
168 mm

DRAINS FROM V-2-100
280-MF-04
33 mm

TEST SEPARATOR
CONDENSATE FROM V-2-100
280-MF-04
60 mm

TEST SEPARATOR

WATER FROM V-2-100
280-MF-04
60 mm

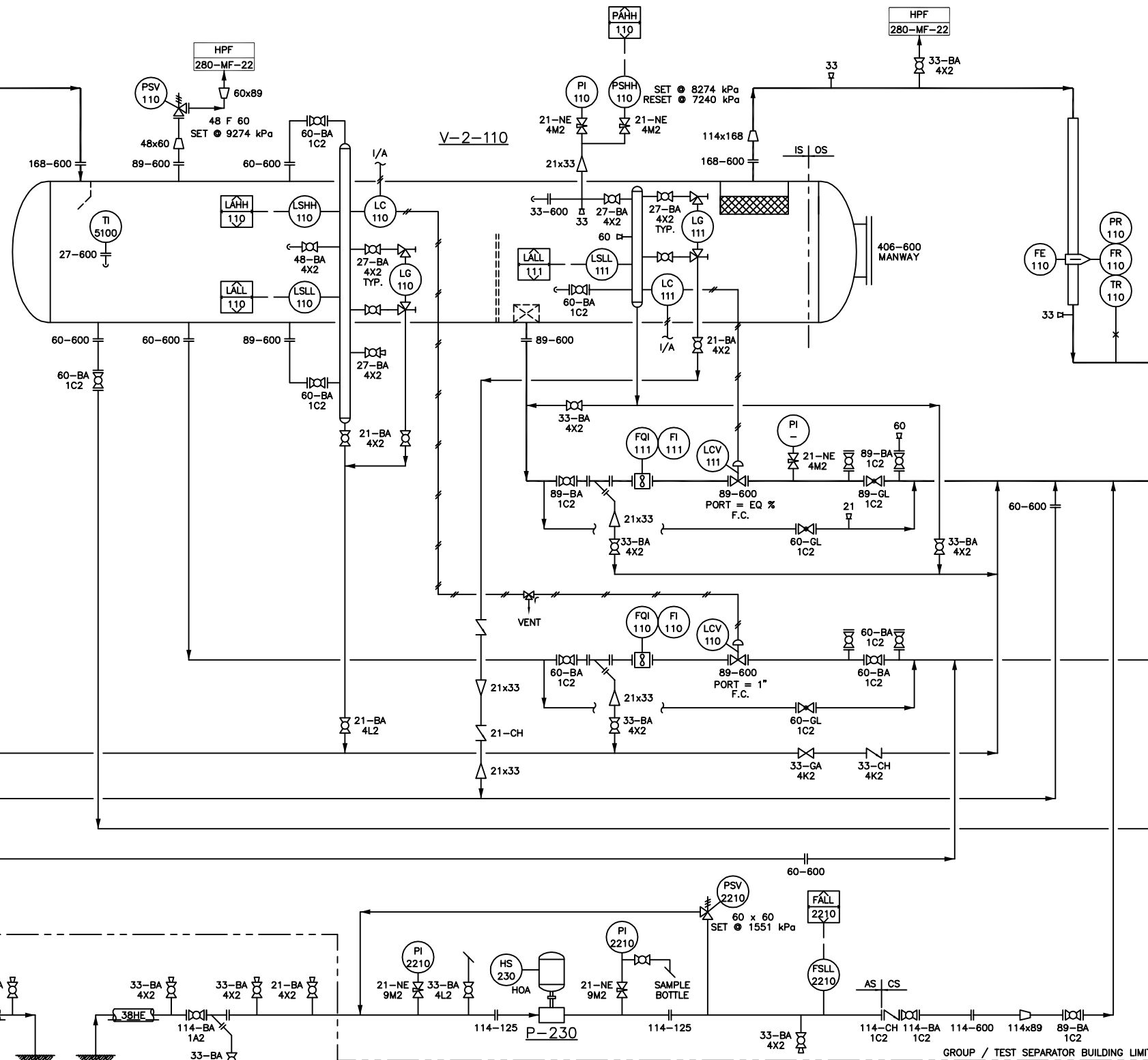
TEST SEPARATOR

RECYCLE FROM PRODUCED
280-MF-26
WATER STORAGE TANKS

89-AS-LH-0320-38H-ET

RECYCLE FROM OIL
280-MF-12
STORAGE TANKS

114-AS-LH-0311-38H-ET



**V-2-110
GROUP SEPARATOR**
SIZE: 1220 mm Ø x 4572 mm S/S
MAWP: 9274 kPa @ 94°C
SN: 01-2941-1
CA: 3.2 mm
CRN: L-2812.213
A No.: 439359

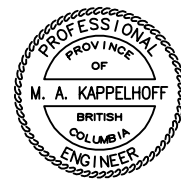
**P-230
RECYCLE PUMP**
MFG: EAGLE
MDL: 2EL8-CDF
SN: 01-2941-1
CAP: 55 GPM @ 500 RPM
CA: 3.2 mm
CRN: L-2812.213
A No.: 439359

280-MF-05

NO.	DATE	REVISIONS	DRAWN	CHECK	DESIGN	APPR.
			DRAFTING		ENGINEERING	
7	12 06 02	GENERAL REVISION - REDRAWN	WRM	WRM		
6	22 09 99	AS BUILT - NORTHERN DRAFTING SERVICES LTD	JW	PW	MK	MK
5	27 04 99	AS BUILT	JW	WC	MK	MK
4	09 03 99	RE-ISSUED FOR CONSTRUCTION - LINE No ADDED	PW	MK	MK	MK
3	19 02 99	ISSUED FOR CONSTRUCTION	JW	MK	MK	MK
8	2011-05-19	TREATER REMOVED	HN	BL		

NO.	TITLE
280-MF-01 TO 30	MECHANICAL FLOW DIAGRAMS
280-PP-01	MECHANICAL PLOT PLAN
	REFERENCE DRAWINGS

PROFESSIONAL AND PERMIT STAMPS AFFIXED HEREUNDER SHALL APPLY ONLY TO REVISION(S) 0 TO 6



PROFESSIONAL AND PERMIT STAMPS

NORTHERN DRAFTING SERVICES LTD
OILFIELD DESIGN AND DOCUMENTATION
FORT ST JOHN B.C.
1-250-785-0131

APPROVED
FOR CONSTRUCTION

BY: _____ DATE YY MM DD
BY: _____ DATE YY MM DD



5-12-87-25 W6M HALFWAY BATTERY
V-2-110 GROUP SEPARATOR
MECHANICAL FLOW DIAGRAM

CLIENT FILE NO.	SCALE	NORTHERN DRAWING NUMBER	REV.
	NTS	HAF0512-220-0006	8