

THIS DRAWING IS THE PROPERTY OF NORTHERN DRAFTING SERVICES LTD. ON BEHALF OF ITS CLIENT. FOR COPIES OR REVISIONS TO THIS DRAWING, PLEASE CALL 1-250-785-0131.

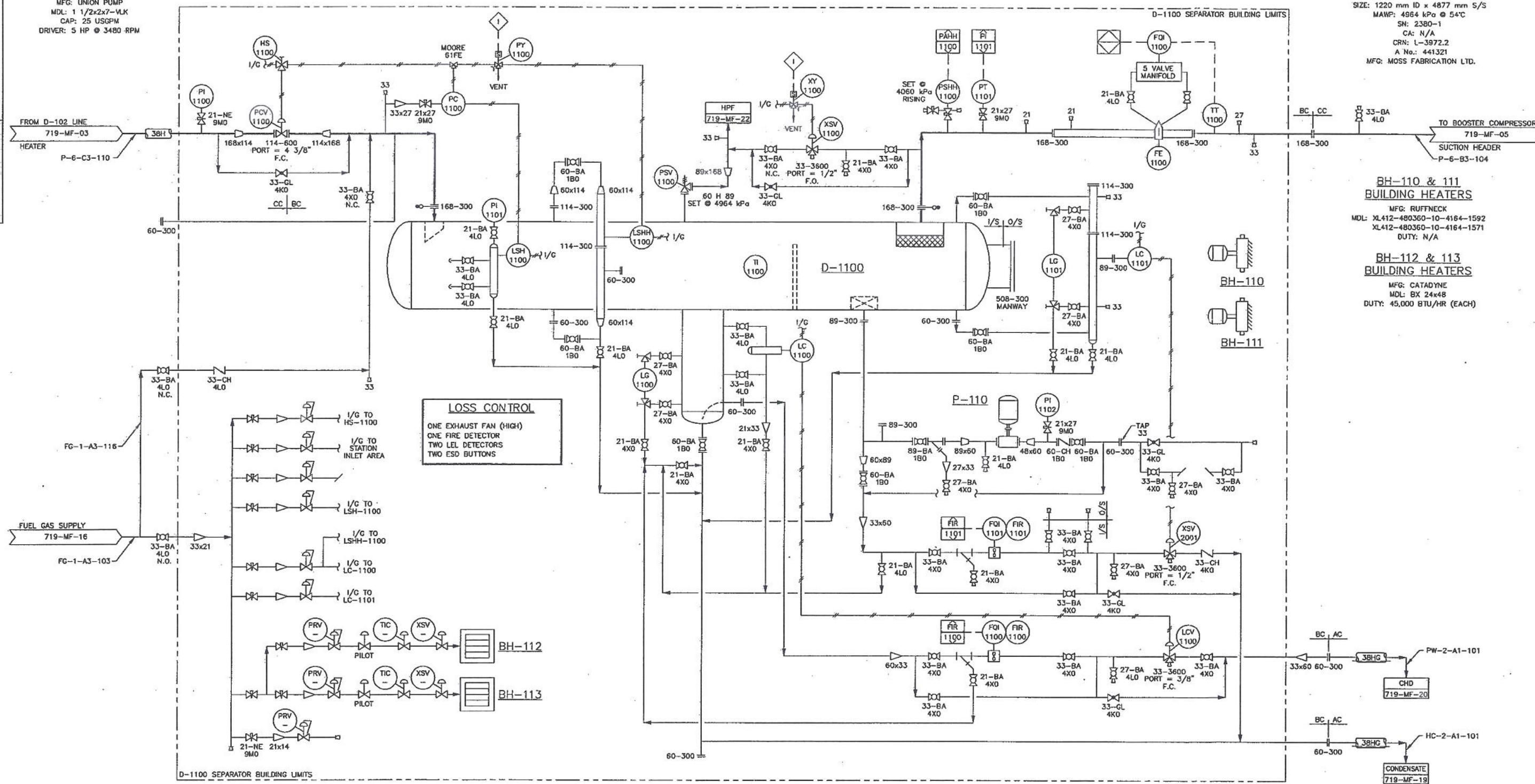
AutoCAD 14 719-MF-04

**P-110
CONDENSATE PUMP**
MFG: UNION PUMP
MDL: 1 1/2x2x7-VLK
CAP: 25 USGPM
DRIVER: 5 HP @ 3480 RPM

**D-1100
INLET SEPARATOR**
SIZE: 1220 mm ID x 4877 mm S/S
MAWP: 4964 kPa @ 54°C
SN: 2380-1
CA: N/A
CRN: L-3972.2
A No.: 441321
MFG: MOSS FABRICATION LTD.

**BH-110 & 111
BUILDING HEATERS**
MFG: RUFFNECK
MDL: XL412-480360-10-4164-1592
XL412-480360-10-4164-1571
DUTY: N/A

**BH-112 & 113
BUILDING HEATERS**
MFG: CATADYNE
MDL: BX 24x48
DUTY: 45,000 BTU/HR (EACH)



NO.	DATE	REVISIONS	DRAWN	CHECK	DESIGN	APPR.
			DRAFTING		ENGINEERING	
5	08 11 07	MINOR REVISION AS PER FIELD VISIT	WRM	WRM		
4	23 05 06	AS-IS, REDRAWN FROM INV ORIGINALS	WRM	WRM		
3	30 03 04	ISSUED FOR CONSTRUCTION INV JOB # BC0105-004	TLM	EJ	PWJ	
2	28 03 04	NOTE 2 DELETED	DC			
1	12 03 03	ISSUED FOR CONSTRUCTION DPH JOB # 5683	MK			
0	05 03 01	ISSUED FOR CONSTRUCTION DPH JOB # 4274	XNL	DC		

NO.	TITLE
719-PP-01	MECHANICAL PLOT PLAN
719-MF-01 TO 25	MECHANICAL FLOW DIAGRAMS
NO.	TITLE
REFERENCE DRAWINGS	

PROFESSIONAL AND PERMIT STAMPS AFFIXED HEREUNDER SHALL APPLY ONLY TO REVISION(S) _____ X

NORTHERN DRAFTING SERVICES LTD
OILFIELD DESIGN AND DOCUMENTATION
FORT ST. JOHN, B.C.
1-250-785-0131

APPROVED
FOR CONSTRUCTION

BY: _____ DATE YY MM DD

BY: _____ DATE YY MM DD

α-23-1, 94-H-3 PICKELL CENTRAL COMPRESSOR STATION
D-1100 INLET SEPARATOR
MECHANICAL FLOW DIAGRAM

CLIENT FILE NO.	SCALE	NORTHERN DRAWING NUMBER	REV.
	NTS	719-MF-04	5
CLIENT DWG NUMBER			