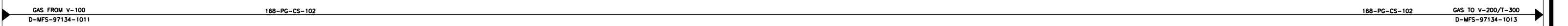
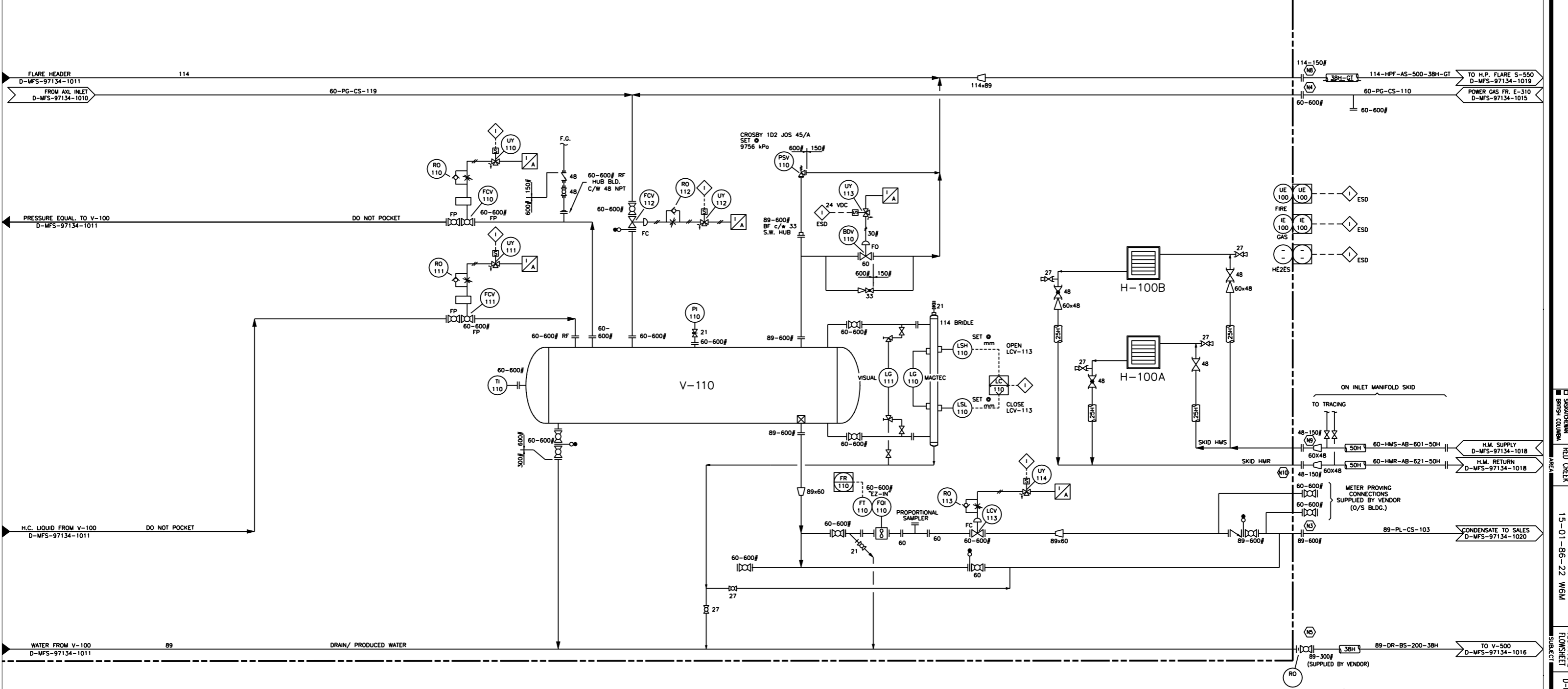


V-110
BLOWCASE
762mm I/D x 1829mm S/S
D.P.: 9755 kPa @ 49°C
C.A.: 3.2mm

H-100A/B
BUILDING HEATERS
2 - RUFFNECK MODEL #HP5-20
w/1/2 HP 120 VAC/1/60 XP MOTOR
c/w XP THERMOSTAT



INLET SEPARATOR / BLOWCASE SKID BOUNDARY



NOTE:
ALL PROCESS, VENTS & DRAINS, PIPING, VALVES,
AND FITTINGS TO BE AS OR CS CLASSIFICATION.

P:/98300/DWGS/97134/DWGS/71341012.DWG
PLOTTED: MAY 05, 1999 12:12 PM

DRAWING No.	REFERENCE DRAWINGS	No.	REVISION	DATE	BY	CHK'D	APP'D	APP'D	DATE
									97-06-23
		2	AS-BUILT	98-04-01	RJO				
		1	RO ADDED, DWG NO. HAS CHANGED FROM 1014 TO 1012	98-02-15	CDK				
		0	ISSUED FOR CONSTRUCTION	97-10-27	CDK	LP			
		B	ISSUED FOR TENDER	97-10-01	CDK	LP			
		A	ISSUED FOR APPROVAL	97-06-23	OFF				

RED CREEK GAS DEVELOPMENT

MECHANICAL FLOWSHEET
INLET SEPARATOR
LSD. 15-01-86-22 W6M

15-01-86-22 W6M

NUMAC ENERGY
Numac Energy Inc.

1 0 F 1 SCALE NONE

D-MFS-97134-1012

ALBERTA
SASKATCHEWAN
BRITISH COLUMBIA
MECHANICAL FLOWSHEET
D-MFS-97134-1012
Dwg. No.