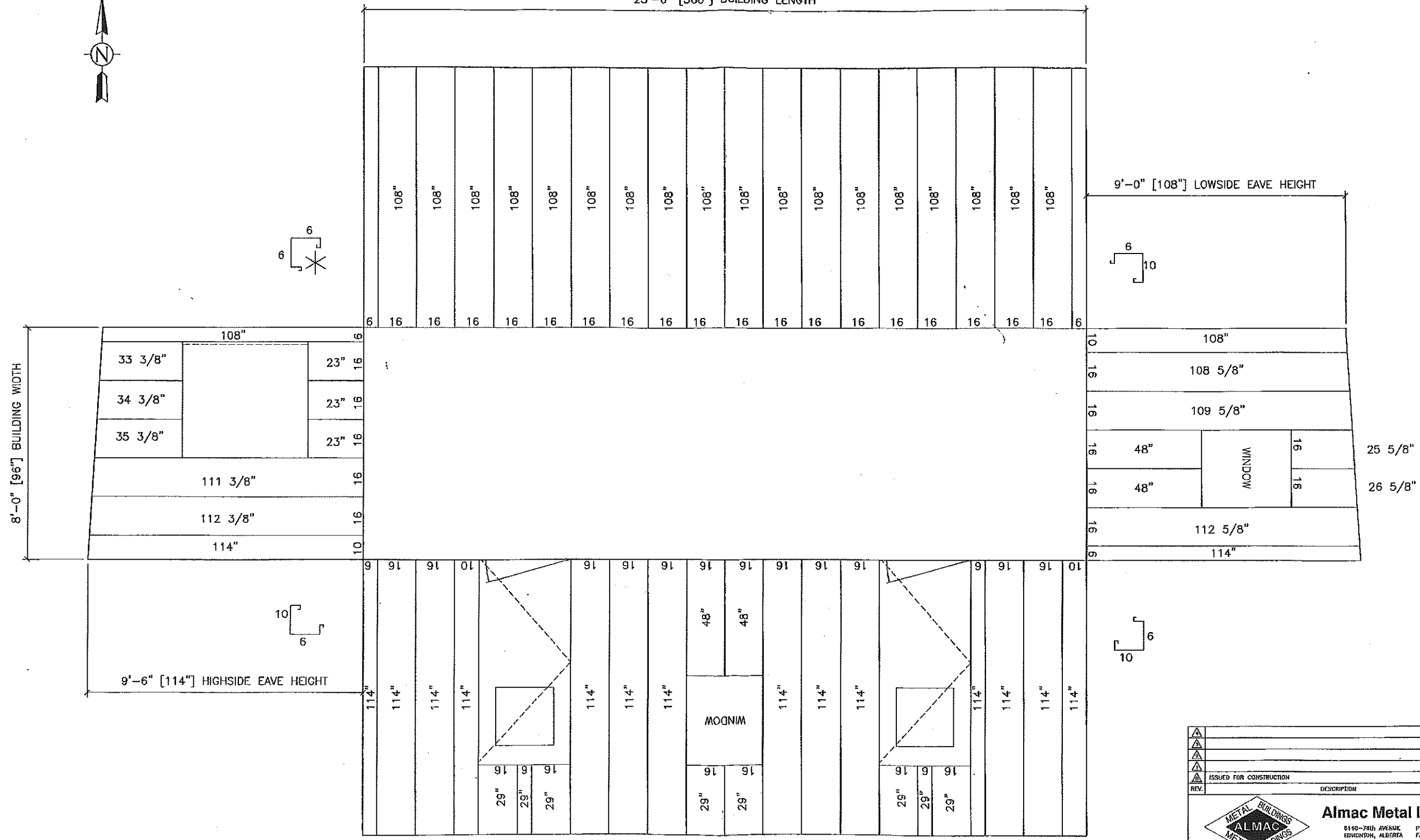
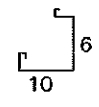
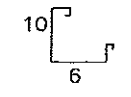
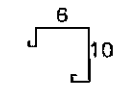
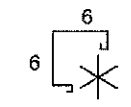



25'-0" [300"] BUILDING LENGTH

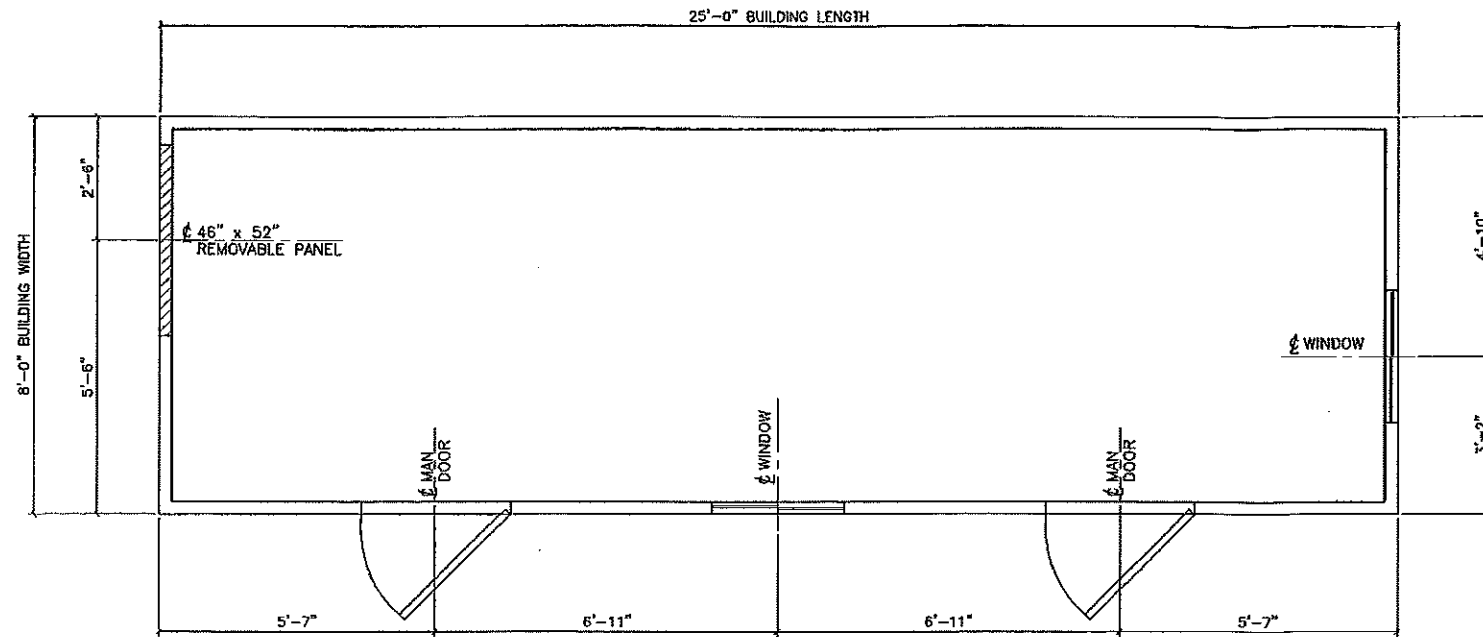
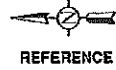
8'-0" [96"] BUILDING WIDTH

9'-0" [108"] LOWSIDE EAVE HEIGHT

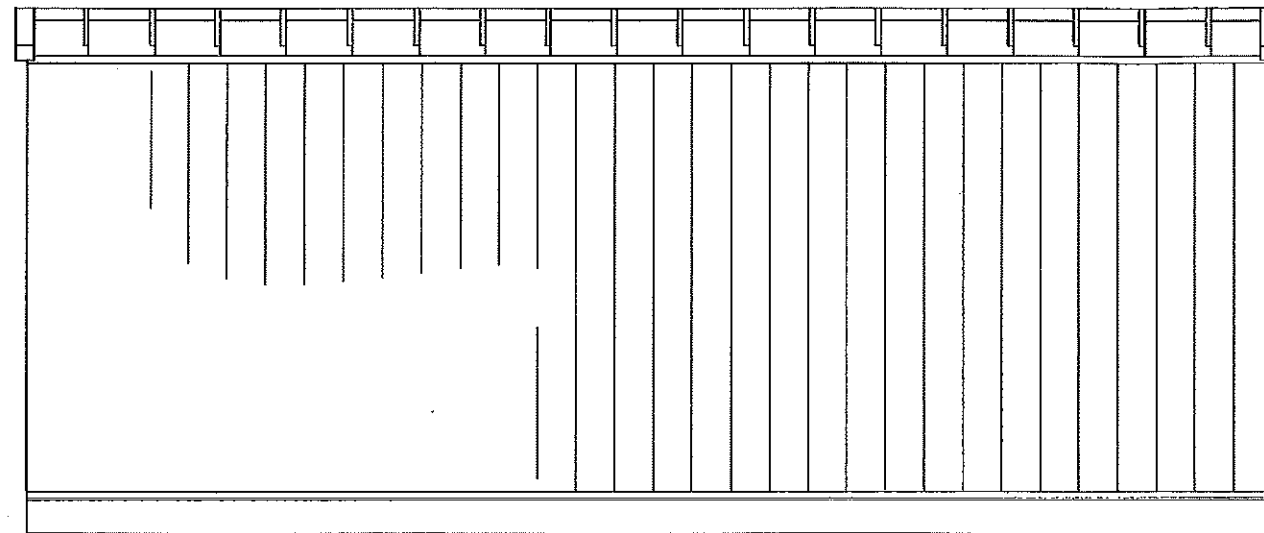
9'-6" [114"] HIGHSIDE EAVE HEIGHT



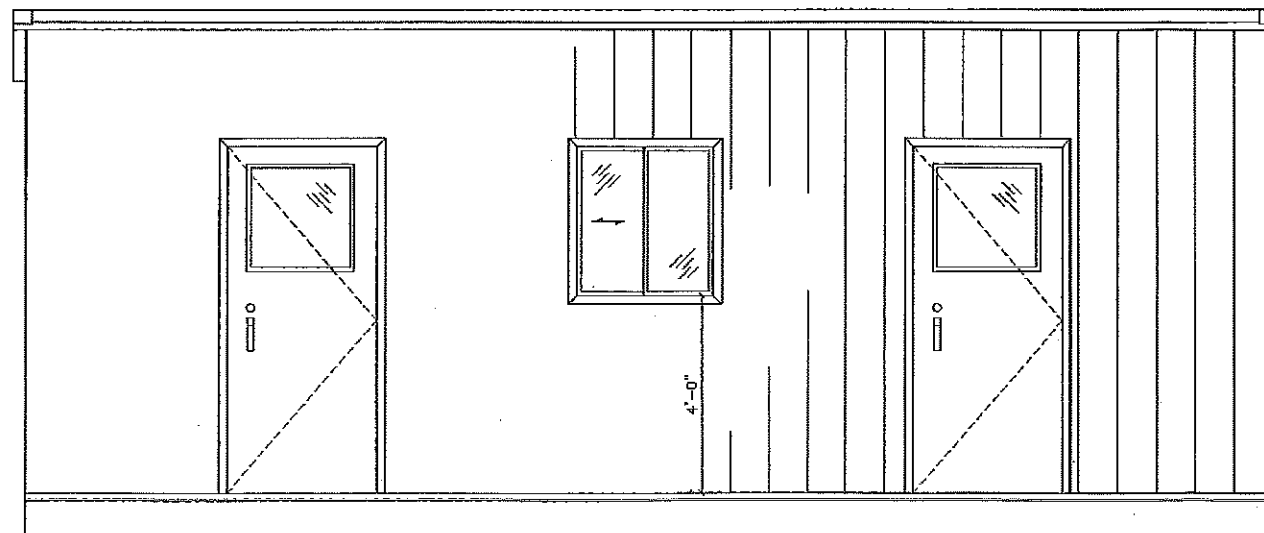
ISSUED FOR CONSTRUCTION	DJK	2011/09/21
REV.	DESCRIPTION	BY DATE
 Almac Metal Industries Ltd. 8140-78th AVENUE PHONE (780) 465-0861 EDMONTON, ALBERTA FAX (780) 465-4199 T6B 0W6		
CLIENT:	BRASS APPLE	DRAWN BY: DJK CHECKED BY:
TITLE:	ENCANA NATURAL GAS 48" 50PSI FREE WATER KNOCK OUT UNIT	SCALE: NTS
LOCATION:	DAWSON CREEK	DATE: 2011/09/21
SHEET DESCRIPTION:	WALL PANEL LAYOUT	JOB NUMBER: 12282 SHEET: 12282-PL REV. 0



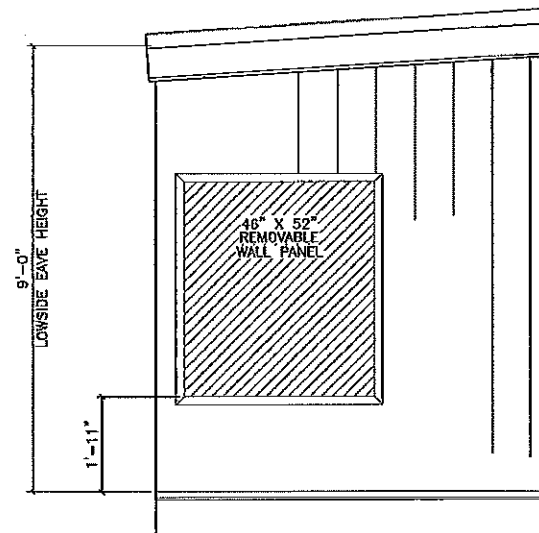
FLOOR PLAN VIEW



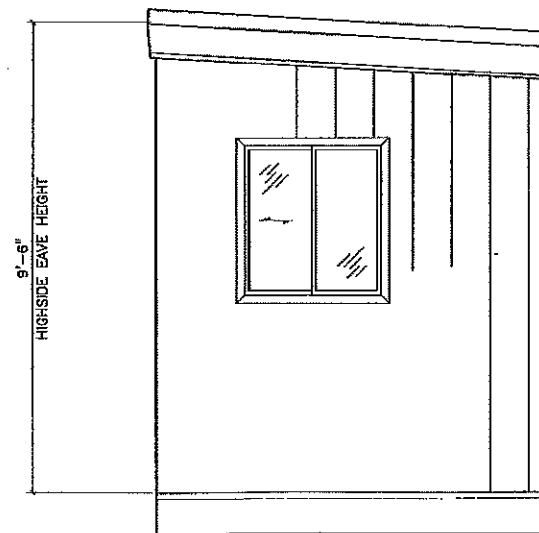
EAST ELEVATION



WEST ELEVATION



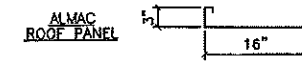
NORTH ELEVATION



SOUTH ELEVATION

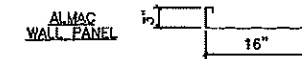
ROOF CONSTRUCTION:

- 22 GA. PREPAINED STEEL INTERLOCKING STRUCTURAL RIB ROOF PANELS. C/W 8000 SERIES PAINT SYSTEM, TO COLOUR: TAN (QC-8319)
- 26 GA. STEEL INSULATION RIBS AT ROOF PANEL JOINTS.
- R12 (3") FIBREGLASS BATT INSULATION.
- 6 MIL POLY VAPOUR BARRIER.
- 24 GA. PREPAINED ALUMINUM FLUTED PROFILE LINER PANELS, TO COLOUR: WHITE



WALL CONSTRUCTION:

- 22 GA. PREPAINED STEEL INTERLOCKING STRUCTURAL RIB WALL PANELS. C/W 8000 SERIES PAINT SYSTEM, TO COLOUR: TAN (QC-8319)
- R12 (3") FIBREGLASS BATT INSULATION.
- 6 MIL POLY VAPOUR BARRIER.
- 24 GA. PREPAINED ALUMINUM FLUTED PROFILE LINER PANELS, TO COLOUR: WHITE

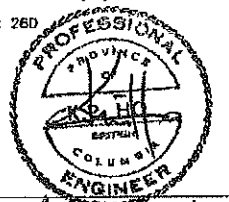


TRIM COLOURS:

- GABLE FLASHING AND ALL NOTED FLASHINGS ARE TO BE FORMED FROM 8000 SERIES PREPAINED STEEL MATERIAL, TO COLOUR: METRO BROWN (QC-8228)

ACCESSORIES:

- (A) TWO ONLY 3'-0" x 7'-0" STEEL INSULATED EXTERIOR MAN DOOR C/W HARDWARE AS FOLLOWS:
 *DOOR LEAF-20 GA. STEEL 45mm THK HONEYCOMB CORE (R4)
 *DOOR FRAME-16 GA. PRESSED STEEL
 *BUTT HINGES-STANLEY #BB1409 x 114x102 x 26D
 *PANIC HARDWARE-VON DUPRIN #44TP
 *LOCK CYLINDER-DOREX #501 RM KA x C26D
 *GLASS-24" x 24" SINGLE GLAZED (I.W.G.)
 *CHECKCHAIN-CANAROPAK #354B
 *THRESHOLD-PEMKO #1700A (ALUMINUM)
 *WEATHERSTRIP-PEMKO #306AV (ALUM./VINYL)
 *SWEEP-PEMKO #315CN (ALUM./NEOPRENE)
 DOOR LEAF FINISH: METRO BROWN (QC-8228)
 DOOR FRAME FINISH: METRO BROWN (QC-8228)
- (B) ONE ONLY 46" WIDE X 52" HIGH, REMOVABLE WALL PANEL ASSEMBLY C/W FIBREGLASS INSULATION, VAPOUR BARRIER AND LINER PANELS TO MATCH WALL ASSEMBLY.
- (C) TWO ONLY 32" WIDE x 36" HIGH (NOM. SIZE), DOUBLE GLAZED ALUMINUM SLIDING WINDOW C/W LOCK, FIBREGLASS CLOTH HALF SCREEN AND PLAIN GLASS. FRAME FINISH: METRO BROWN (QC-8228)
- (D) TWO ONLY 12" WIDE x 12" HIGH, ADJUSTABLE ALUMINUM LOUVERS, C/W EXTRUDED ALUMINUM BLADES MANUAL CONTROLS AND BIRD SCREEN. FINISH: MILL FINISHED ALUMINUM



GENERAL NOTES:

- ALL EXTERIOR SCREWS ARE TO BE CADMIUM PLATED.
- BUILDING PACKAGE INCLUDES BASE FLASHING (TO MATCH WALL COLOR).

BUILDING MATERIAL SPECIFICATIONS

PREPAINED STEEL c/w GALVANIZED SUBSTRATE - A653, G90, Gr 37
 c/w GALVALUME SUBSTRATE - A792, AZ150, Gr 37
 PLAIN GALVANIZED STEEL - A653, G90, Gr 37
 PLAIN GALVALUME STEEL - A782, AZ165, Gr 37

BUILDING DESIGN LOADS (kPa)

GROUND SNOW LOAD - S_s = 2.50, S_r = 0.20
 WIND LOAD q_{1/10} = 0.31 q_{1/50} = 0.48
 SEISMIC ZONE - S_c(0.2) = 0.11, S_c(0.5) = 0.070, S_c(1.0) = 0.035
 S_c(2.0) = 0.021, PGA = 0.063
 IMPORTANCE FACTOR = 1.00 U.N.O.

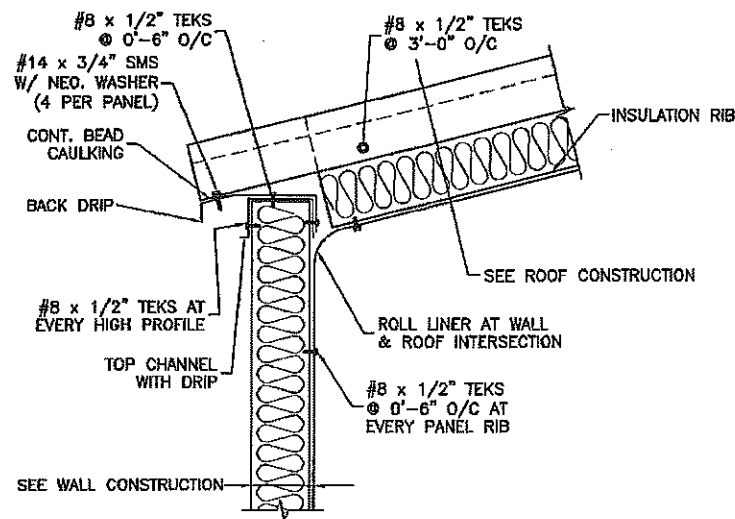
REV.	DESCRIPTION	BY	DATE
▲	ISSUED FOR CONSTRUCTION	DJK	2011/09/21
▲	ISSUED FOR APPROVAL	DJK	2011/09/15



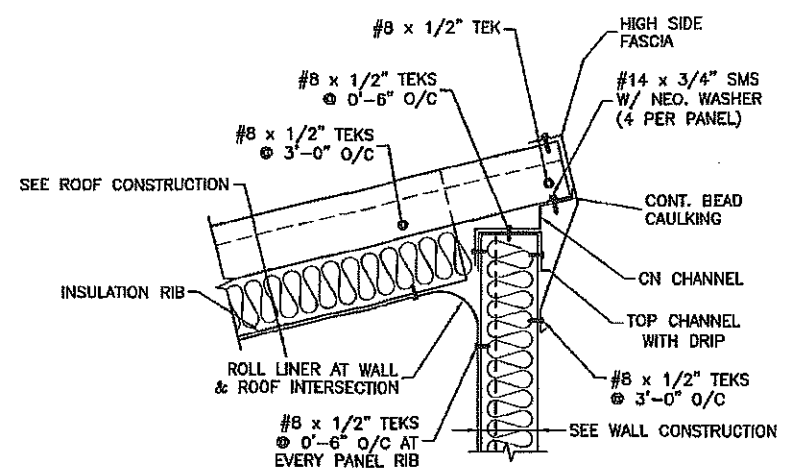
Almac Metal Industries Ltd.

6140-76th AVENUE PHONES (780) 465-0961
 EDMONTON, ALBERTA FAX: (780) 465-4198
 T6B 0A5

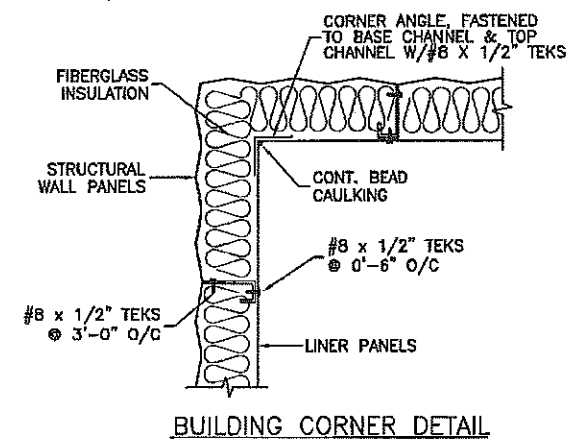
CLIENT: BRASS APPLE	DRAWN BY: DJK	CHECKED BY:
TITLE: ENCANVA NATURAL GAS	SCALE: 3/16"=1'-0"	
LOCATION: DAWSON CREEK, B.C.	DATE: 2011/09/15	
SHEET DESCRIPTION: PLAN AND ELEVATION VIEWS	JOB NUMBER: 12282	SHEET: 12282-1 REV. 1



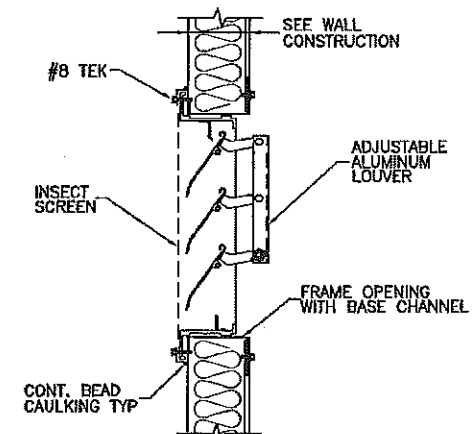
LOWSIDE EAVE DETAIL



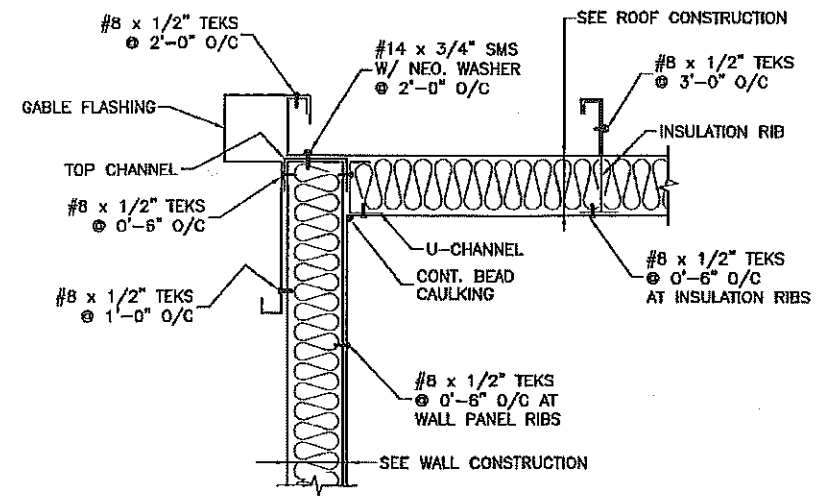
HIGHSIDE EAVE DETAIL



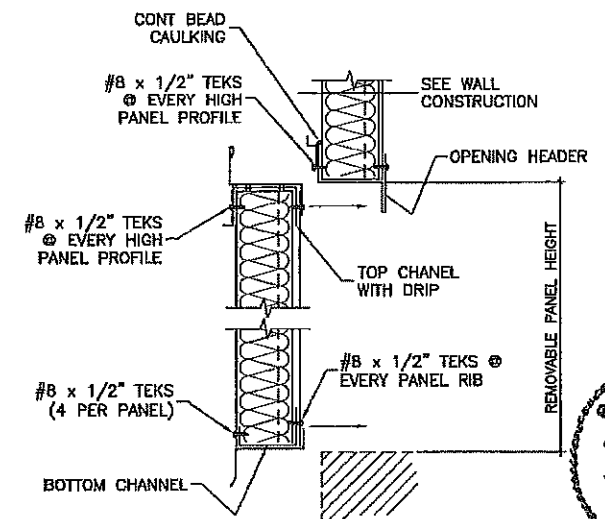
BUILDING CORNER DETAIL



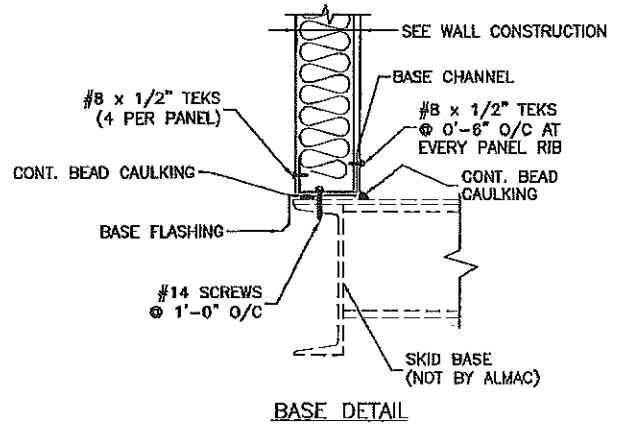
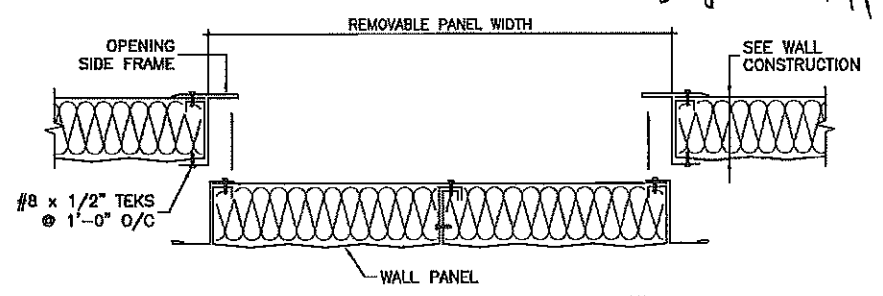
ADJUSTABLE LOUVER DETAIL



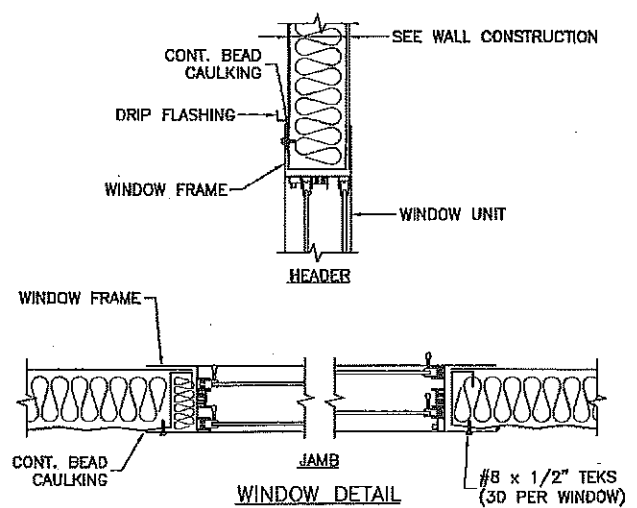
GABLE DETAIL



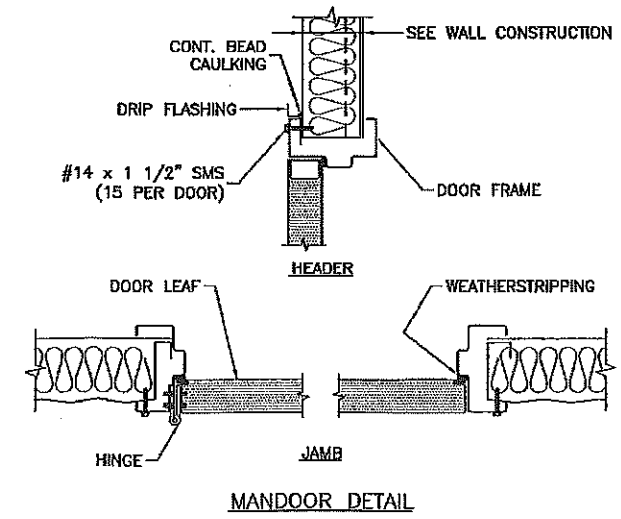
REMOVABLE WALL PANEL DETAIL



BASE DETAIL



WINDOW DETAIL



MANDOOR DETAIL



SEPT-28/11

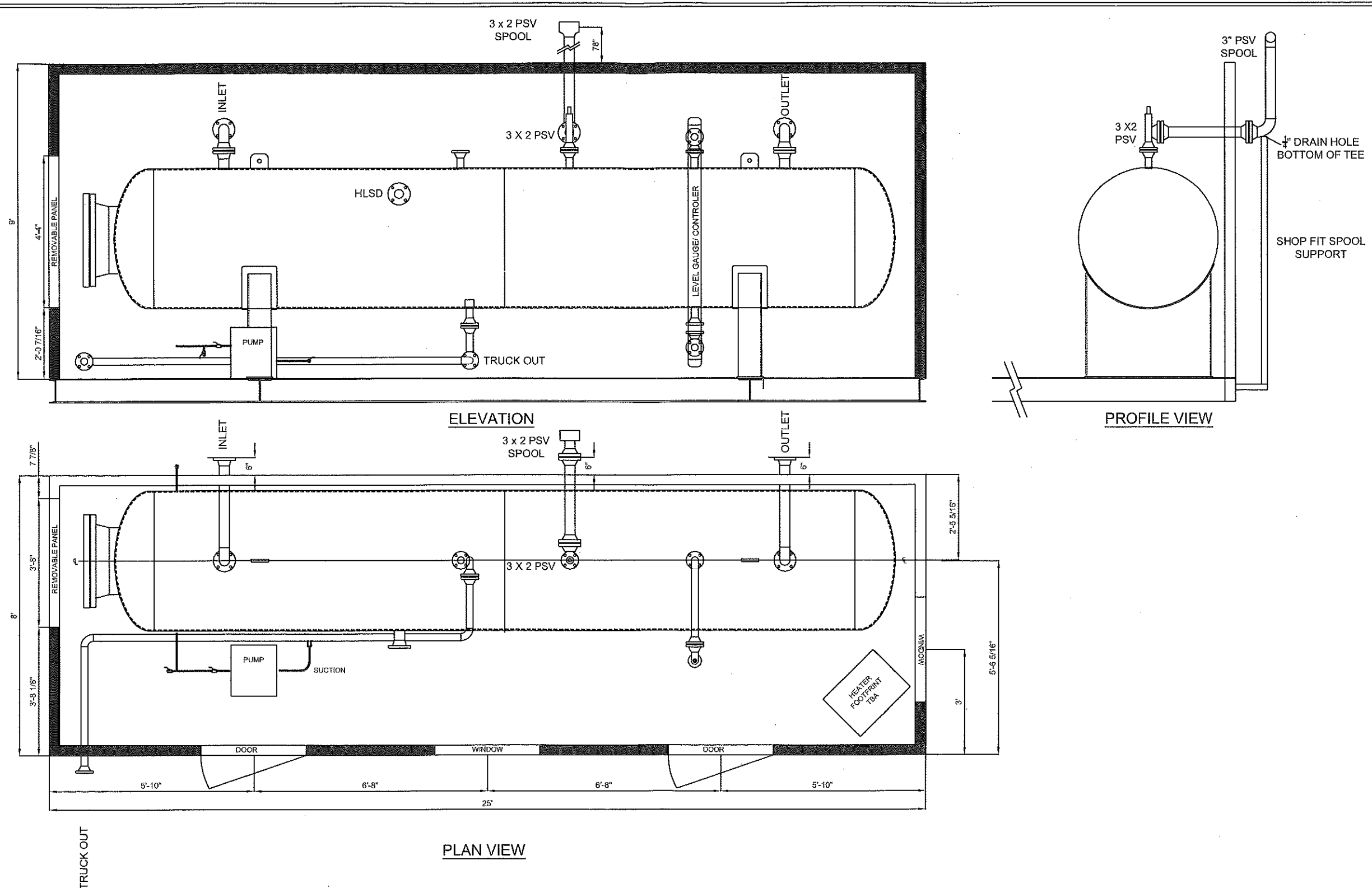
ISSUED FOR CONSTRUCTION	DJK	2011/09/21
ISSUED FOR APPROVAL	DJK	2011/09/16
REV.	DESCRIPTION	BY DATE



Almac Metal Industries Ltd.

6140-76th AVENUE
EDMONTON, ALBERTA
T6B 0M6
PHONE: (780) 465-0851
FAX: (780) 465-4188

CLIENT: BRASS APPLE	DRAWN BY: DJK	CHECKED BY:
TITLE: ENCANA NATURAL GAS 48" 50PSI FREE WATER KNOCK OUT UNIT	SCALE: NTS	
LOCATION: DAWSON CREEK, B.C.	DATE: 2011/09/16	
SHEET DESCRIPTION: TYPICAL BUILDING DETAILS	JOB NUMBER: 12282	SHEET: 12282-2
		REV. 1

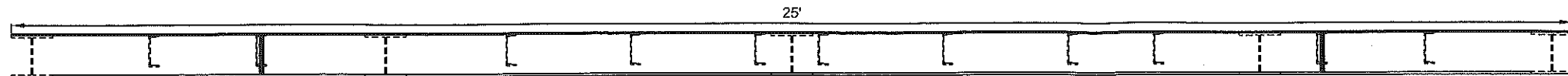


ENCANA NATURAL GAS c/o ACE INST. TITLE: GENERAL ARRANGEMENT SERIAL #: 48FWKO.P11079.1

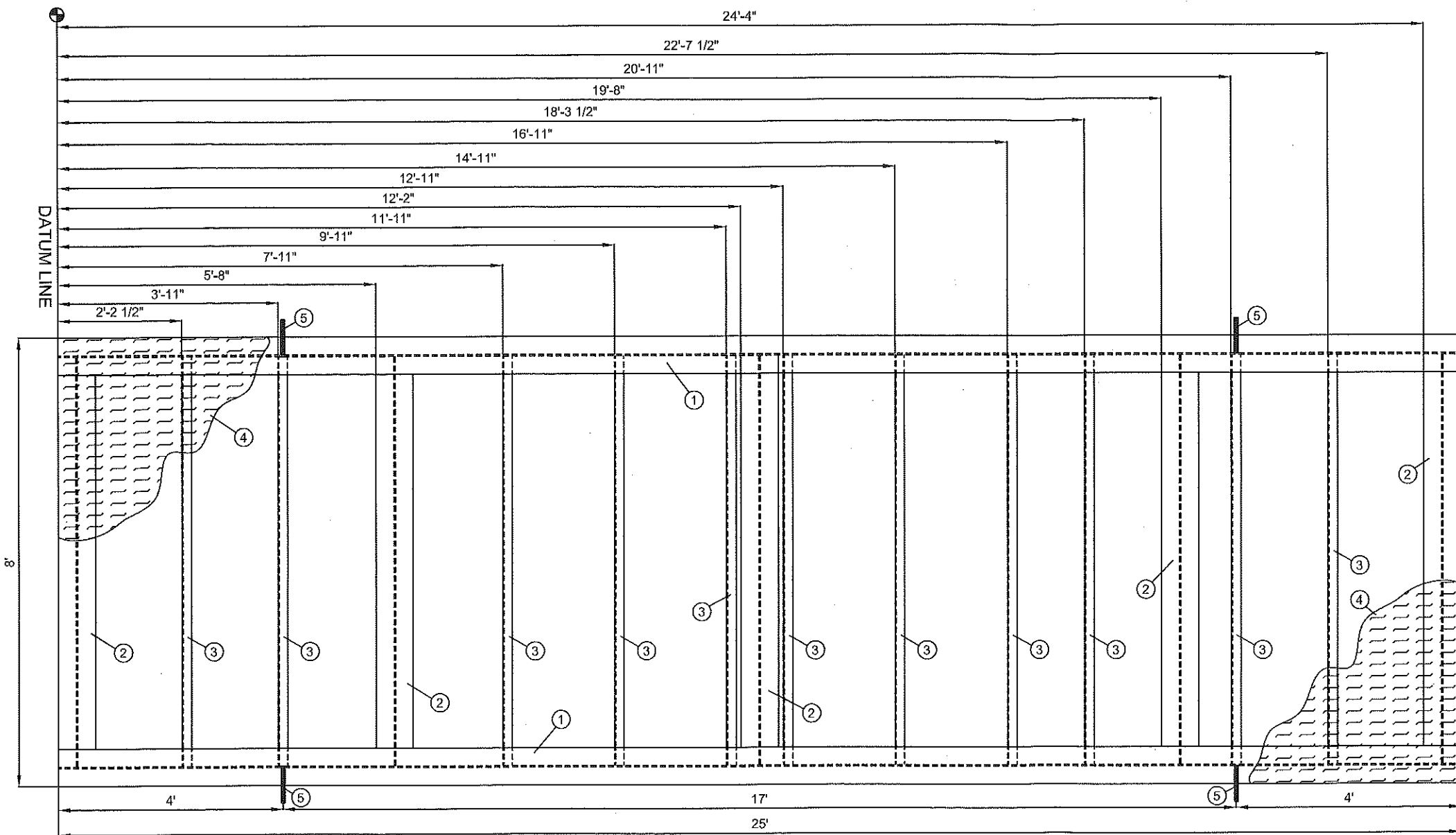
DO NOT SCALE FROM THIS DRAWING		VESSEL TAG No:		CRN:		TITLE: ENCANA NATURAL GAS c/o ACE INST. 48" 50 PSI FREE WATER KNOCK OUT UNIT GENERAL ARRANGEMENT																	
PROFESSIONAL STAMPS:		NOTES: THIS DRAWING IS THE PROPERTY OF ACCESS MANUFACTURING LTD. AND IS LENT TO THE RECIPIENT FOR CONFIDENTIAL USE ONLY. IN CONSIDERATION OF THE LOAN OF THIS DRAWING THE RECIPIENT PROMISES AND AGREES THAT IT SHALL NOT BE USED IN ANY WAY DETRIMENTAL TO ACCESS MANUFACTURING LTD. THAT IT SHALL BE RETURNED UPON REQUEST, AND THAT IT SHALL NOT BE REPRODUCED, COPIED, LENT, OR OTHERWISE DISPOSED OF DIRECTLY OR INDIRECTLY WITHOUT THE WRITTEN PERMISSION OF ACCESS MANUFACTURING LTD.		REVISIONS:				<table border="1" style="width: 100%; border-collapse: collapse;"> <tr> <td style="width: 20%;">DRAWN BY:</td> <td style="width: 20%;">TL</td> <td style="width: 20%;">SCALE:</td> <td style="width: 40%;">NTS</td> </tr> <tr> <td>CHECKED BY:</td> <td>DO</td> <td>PROJ.#:</td> <td>P11079</td> </tr> <tr> <td>APPROVED BY:</td> <td>DM</td> <td>DWG.#:</td> <td>48.FWKO.P11079</td> </tr> <tr> <td colspan="2">SHEET 1 OF: 1</td> <td>REV.:</td> <td style="text-align: center;">0</td> </tr> </table>		DRAWN BY:	TL	SCALE:	NTS	CHECKED BY:	DO	PROJ.#:	P11079	APPROVED BY:	DM	DWG.#:	48.FWKO.P11079	SHEET 1 OF: 1	
		DRAWN BY:	TL	SCALE:	NTS																		
CHECKED BY:	DO	PROJ.#:	P11079																				
APPROVED BY:	DM	DWG.#:	48.FWKO.P11079																				
SHEET 1 OF: 1		REV.:	0																				
				<table border="1" style="width: 100%; border-collapse: collapse;"> <tr> <td style="width: 50%;">C</td> <td style="width: 30%;">FOR ASBUILT</td> <td style="width: 10%;">XX</td> <td style="width: 10%;">XX.XX.XX</td> </tr> <tr> <td>C</td> <td>FOR CONSTRUCTION</td> <td>XX</td> <td>XX.XX.XX</td> </tr> <tr> <td>A</td> <td>FOR DESIGN APPROVAL</td> <td>TL</td> <td>26.09.11</td> </tr> <tr> <td>NO.:</td> <td>DESCRIPTION:</td> <td>BY:</td> <td>DATE:</td> </tr> </table>		C	FOR ASBUILT	XX	XX.XX.XX	C	FOR CONSTRUCTION	XX	XX.XX.XX	A	FOR DESIGN APPROVAL	TL	26.09.11	NO.:	DESCRIPTION:	BY:	DATE:	ACCESS MANUFACTURING LTD.	
C	FOR ASBUILT	XX	XX.XX.XX																				
C	FOR CONSTRUCTION	XX	XX.XX.XX																				
A	FOR DESIGN APPROVAL	TL	26.09.11																				
NO.:	DESCRIPTION:	BY:	DATE:																				

CUSTOMER: ENCANA NATURAL GAS c/o ACE INST. TITLE: SKID LAYOUT SERIAL #: 48FWKO.P11079.1

BILL OF MATERIAL				
ITEM	QTY.	DESCRIPTION	MATERIAL	PART
1	2	W8 X 31# X 25' LONG	SA-36	RUNNERS
2	4	W8 X 31# X 7' 3-11/16" LONG	SA-36	CROSSMEMBERS
3	11	C6 X 8.2# X 7' 3- 11/16" LONG	SA-36	CROSSMEMBERS
4	7	1/4" X 4' X 8' CHECKERPLATE	SA-36	FLOOR
5	4	1" THK. ACCESS HEAVY LIFT LUG	SA-516-70N	LIFT LUGS



ELEVATION VIEW



PLAN VIEW

DO NOT SCALE FROM THIS DRAWING

VESSEL TAG No:

CRN:

PROFESSIONAL STAMPS:

NOTES:

THIS DRAWING IS THE PROPERTY OF ACCESS MANUFACTURING LTD. AND IS LENT TO THE RECIPIENT FOR CONFIDENTIAL USE ONLY. IN CONSIDERATION OF THE LOAN OF THIS DRAWING THE RECIPIENT PROMISES AND AGREES THAT IT SHALL NOT BE USED IN ANY WAY DETRIMENTAL TO ACCESS MANUFACTURING LTD. THAT IT SHALL BE RETURNED UPON REQUEST, AND THAT IT SHALL NOT BE REPRODUCED, COPIED, LENT, OR OTHERWISE DISPOSED OF DIRECTLY OR INDIRECTLY WITHOUT THE WRITTEN PERMISSION OF ACCESS MANUFACTURING LTD.

REVISIONS:

NO.	DESCRIPTION:	BY:	DATE:
C	FOR ASBUILT	XX	XX.XX.XX
C	FOR CONSTRUCTION	XX	XX.XX.XX
A	FOR DESIGN APPROVAL	XX	11.07.11

TITLE: ENCANA NATURAL GAS c/o ACE INST.
48" 50 PSIG FWKO UNIT
SKID LAYOUT

ACCESS
MANUFACTURING
LTD.

DRAWN BY:	TL	SCALE:	NTS
CHECKED BY:	DO	PROJ.#:	P11079
APPROVED BY:	DM	DWG.#:	48FWKO.P11079.1
SHEET 1 OF: 2		REV.:	△



Almac Metal Industries Ltd.
 6140 - 76th Avenue, Edmonton, Alberta T6B 0A6
 Telephone: (780) 465-0861 Fax: (780) 465-4198

*Prepainted
 Paint } TAN
 Coils }*

Bress Apple

Trim -> Metal Beem

DATE	DESCRIPTION	ALUM:	QTY	LOCATION	MATERIAL
12282	8'-0" x 20'-0" x 4 1/2"	Galv-	One	Shed	
Wall Panels					
3	23'		2	108"	Corner Angle 2-114"
1	25 3/4'		2	94"	U-Channel
1	26 1/4'		2	100"	Top Channel - Plain
6	29'		1	23 1/2"	Top Channel - c/w Drip 1-46"
1	33 3/8'		-	-	Back Drip
1	34 3/8'		1	25 1/2"	Eave trough c/w Block Ends
1	35 3/8'		2	8'-0"	CN Flashing 1/2"
1	48'		1	36"	Bottom Channel 2-25' 0" 1-46"
18	108'		-	-	Window Drip 1-42, 1-96" 1-52"
1	108 1/8'		-	-	Bracing Channel
1	109 1/8'		-	-	Ridge
1	111 1/8'		2	101	Ridge Cap
1	112 1/8'		-	-	Gable Flashing } metal
1	112 5/8'		4	-	Gable Caps } Brown
10	114'		-	-	Block Ends }
			39	SHTS	Ridge Hood
					Roof Cap
					Lining 24' -> Etched Alum -> white
					Insulation
					Insulation (R12) 9 BAGS OR 6' / 134G
					Insulation Fibs 6"
					* Doors & Frame -> Metal Beem
					3' 0" x 7'-0" -> Metal Beem
					100's of canopy
					2
					Sweep
Corners					
					6
					BOTH 108"
					* 108"
					LONG 114"
					6
					BOTH 114"
					* 114"
					LONG 114"
					6
					2
					* Windows Frame -> Metal Beem
					32' x 36" Double Cleared Slide
					canopies 2x 1/2