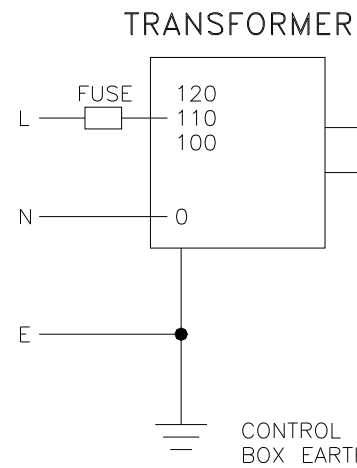


INPUT SUPPLY TO BE WITHIN
10% OF RATED TRANSFORMER INPUT
50/60 HZ 1 PHASE

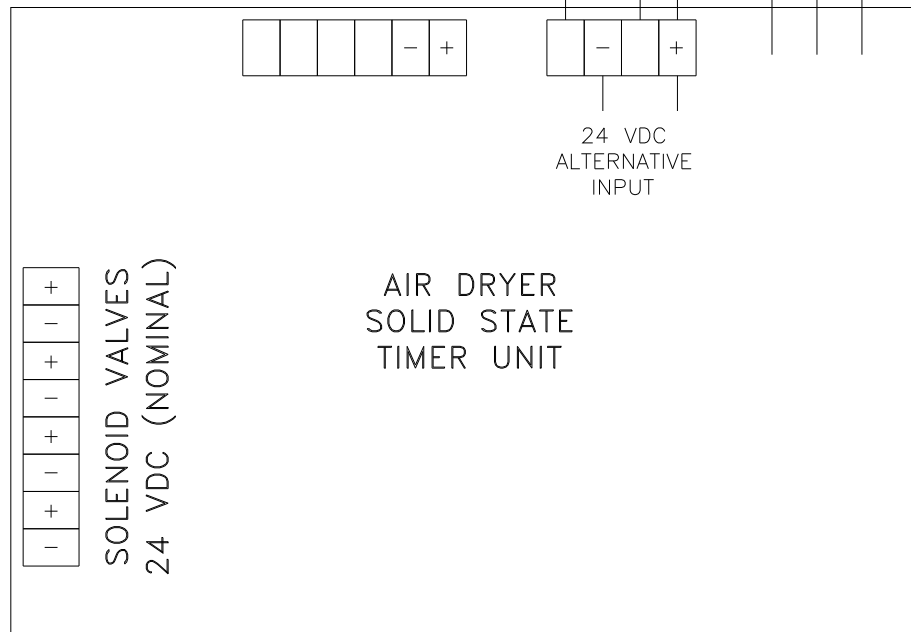
SUPPLY OUT 24 VAC



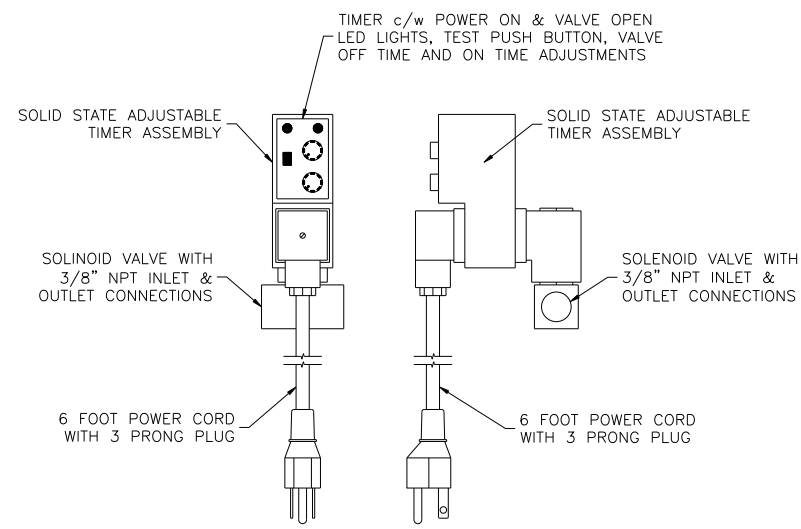
- INLET VALVE "A"
INLET LEFT
- EXHAUST VALVE "B"
EXHAUST RIGHT
- INLET VALVE "B"
INLET RIGHT
- EXHAUST VALVE "A"
EXHAUST LEFT

- +
 -
 - +
 -
 - +
 -
- SOLENOID VALVES
24 VDC (NOMINAL)

VALVE CONNECTIONS
CORE 1 TO +
CORE 2 TO -

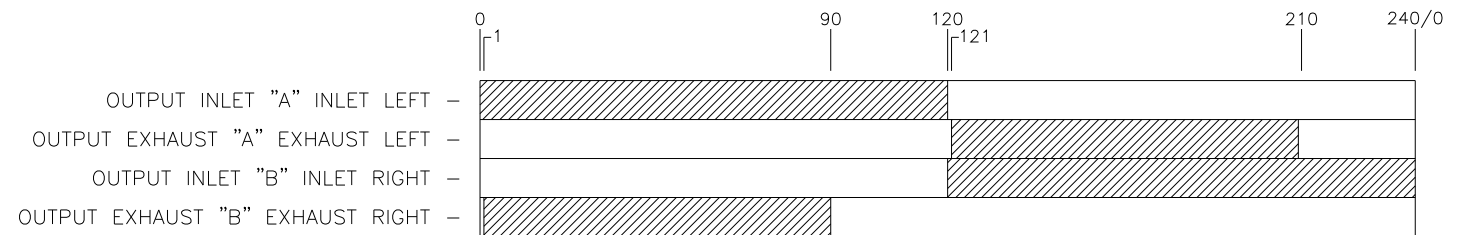


- STATUS INDICATION
LED (YELLOW)
- DDS LED (GREEN)
- DPG SENSOR



NOTE: - 110V / 1 PH / 60 Hz POWER SUPPLY
FOR EACH AUTO DRAIN (CSA APPROVED)

DOMNICK HUNTER DVT020 AUTO DRAIN QTY. 3



DRYER TIMER OPERATION
(TIME IN SECONDS)

PRELIMINARY
FOR APPROVAL
CHAMCO INDUSTRIES LTD.

REV.	DATE	BY	DESCRIPTION

THIS PRINT IS THE PROPERTY OF
CHAMCO INDUSTRIES LTD., IS
CONFIDENTIAL, IS LENT ONLY
FOR REFERENCE IN EQUIPMENT
MAINTENANCE OR IN DEALING
WITH CHAMCO INDUSTRIES LTD.
AND IS NOT TO BE COPIED OR
REPRODUCED WITHOUT OUR
EXPRESS WRITTEN PERMISSION

CHAMCO
CHAMCO INDUSTRIES LTD.
VANCOUVER - CALGARY - EDMONTON - PRINCE GEORGE

ANADARKO CANADA
c/o CANDOR ENGINEERING
CANDOR REFERENCE No. CP-6651-3-32
PURCHASE ORDER No. 303000135

DESIGNED BY P.L.
DRAWN BY P.L.
CHECKED BY
JOB No. 1006554ABS

DATE FEB. 20, 2003 SCALE N.T.S. DWG No. C1006567-04 REV. 0