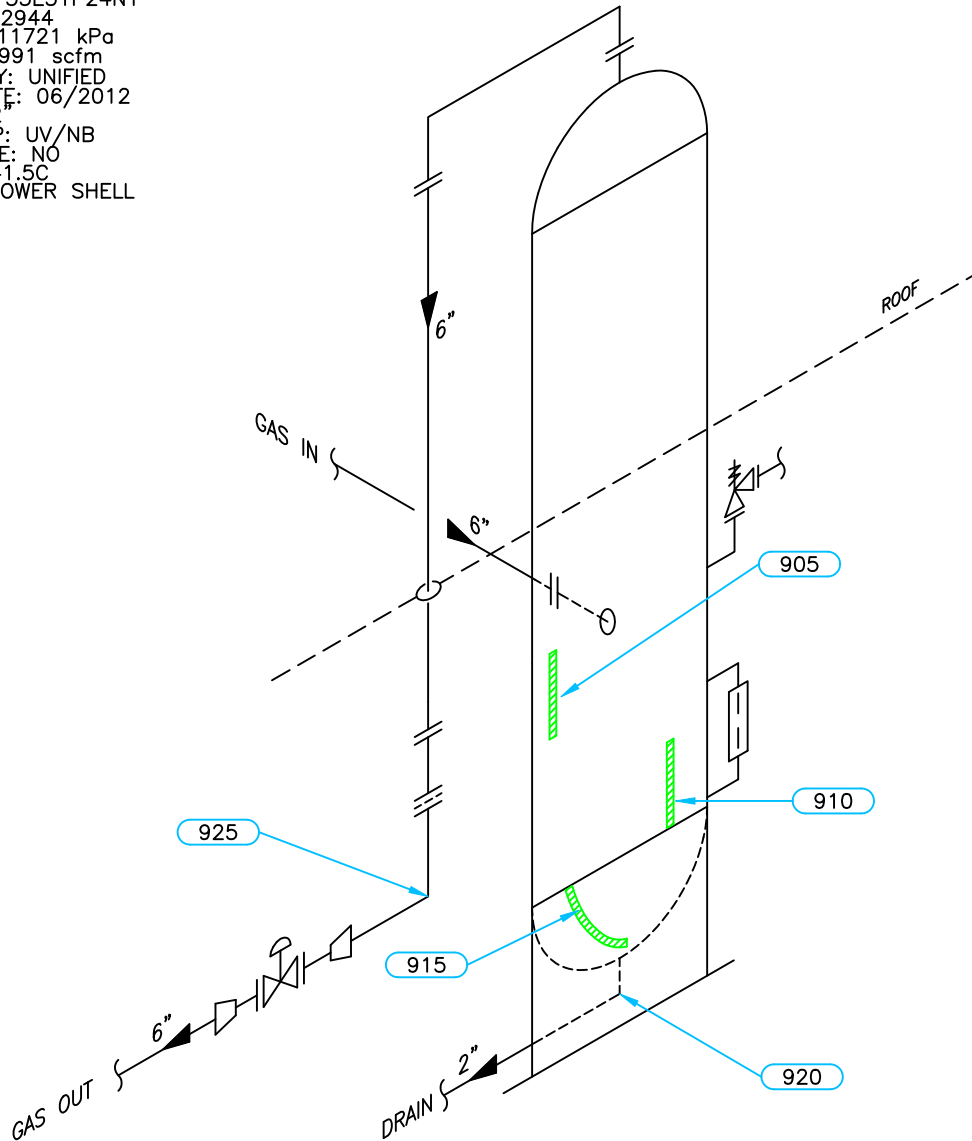


PSV DATA

MFG: MERCER
 MODEL: 91-33E51P24N1
 SERIAL: C012944
 SET PRES: 11721 kPa
 CAPACITY: 5991 scfm
 SERVICED BY: UNIFIED
 SERVICE DATE: 06/2012
 SIZE: 1.5"x2"
 CODE STAMP: UV/NB
 BLOCK VALVE: NO
 CRN: OG8841.5C
 LOCATION: LOWER SHELL
 TAG: N/S



Equip. No. _____ Prov. Reg. No. **455013** C.R.N. **L-9154.21** Serial No. **C1157B.C** Yr. Inst. _____
 Code/Div. **ASME VIII, DIV1** Size: **36in x 28ft** Manufacturer: **RUSHTON** Yr. Blt. **2000**
 C. Stamp: **NO** Service: **SWEET** PWHT: **HT** Radiography: **RT-1** Insulated: **NO**

Design & Materials Data

HEAD:
 Top Mat'l. **SA 516 70N** Top Nom. **38.1mm** Top C.A. _____
 Btm. Mat'l. _____ Btm. Nom. _____ Btm. C.A. _____
CHANNEL:
 Material: _____ Nominal: _____ C.A. _____
BOOT
 Head Mat'l. _____ Head Nom. _____ Head C.A. _____
 Shell Mat'l. _____ Shell Nom. _____ Shell C.A. _____
SHELL
 Material: **SA 516 70N** Nominal: **38.6mm** C.A. _____
 MAWP Shell Side: **11721 kPa** @ Temp. **66°C**
 MAWP Tube Side: _____ @ Temp. _____

CLIENT	CANADIAN NATURAL RESOURCES		
FACILITY	MILLIGAN CREEK COMPRESSOR STATION LSD d-31-G/94-H-02		
ITEM	GLYCOL CONTACTOR		
BY: KM	DATE: 12/2008	DWG.# 9	

UTS DATA

CLIENT: CANADIAN NATURAL RESOURCES
EQUIPMENT: GLYCOL FILTER
CRN#: L-9154.21
PROV REG: A 455013
TESTED ON STREAM

FACILITY: MILLIGAN CREEK COMP. STA.
SERVICE: SWEET
LOCATION: d-31-G/94-H-02
RTD JOB #: 10.112227
REFER TO DRAWING: 9

Test Point	THICKNESS DATA				Flag	T-Min	C.A.	Nom.	Short Term	Long Term	Ave. mm/py	Retirement Date
905												
Description: MID SHELL												
	2008	12	2012	9								
Min. Thick.	43.9		42.1		38.60	37.5		38.60	.48	.48		
Average:	44		42.2						.48	.48		2022
Analysis:												
910												
Description: LOWER SHELL												
	2008	12	2012	9								
Min. Thick.	43.9		42.3		38.60			38.60	.43	.43		
Average:	44.1		42.4						.45	.45		
Analysis:												
915												
Description: BOTTOM HEAD												
	2008	12	2012	9								
Min. Thick.	41.5		39.8		38.10	38.0		38.10	.45	.45		
Average:	42.5		41						.4	.4		2015
Analysis: 09/2012 MIN SCAN AT MID BAND												
920												
Description: 2" 90° NOZZLE												
	2008	12	2012	9								
Min. Thick.	8.8		8.5		7.60	2.5	1.1	8.70	.08	.08		
Average:	9		8.8						.05	.05		2060
Analysis:												

