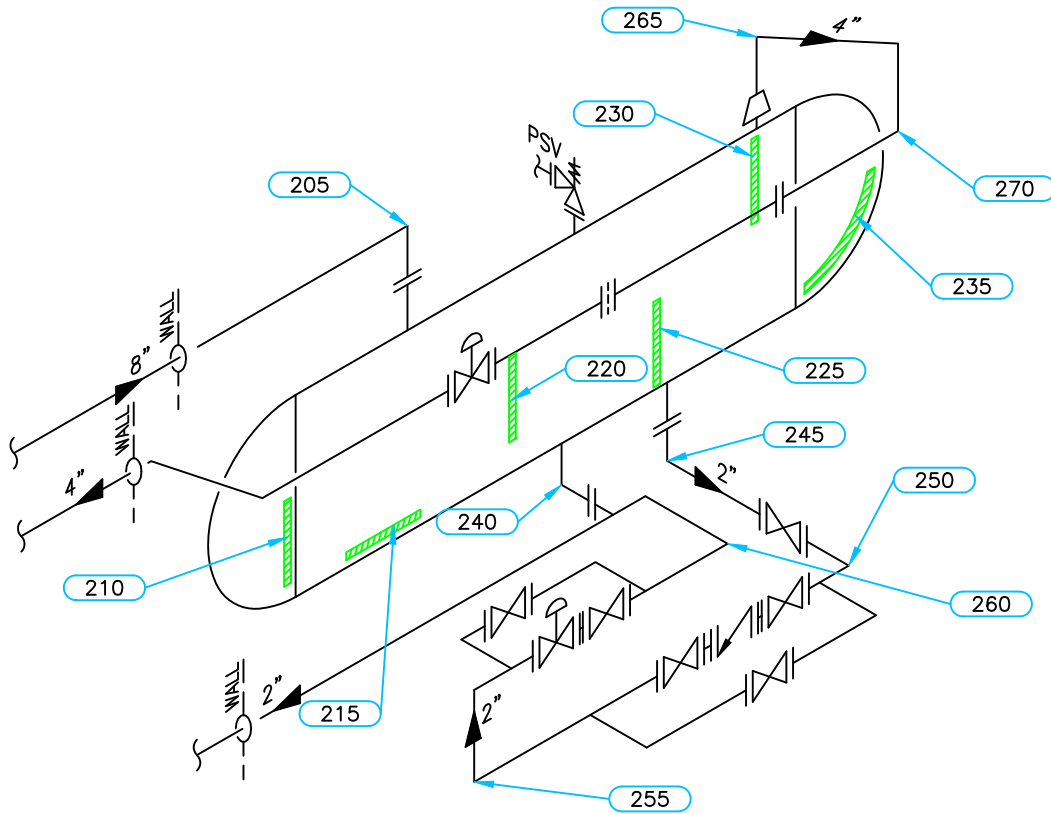


**PSV DATA**

MFG: FARRIS  
 MODEL: 26HA14-120  
 SERIAL: 464664-1-A-10  
 SET PRES: 6894 kPa  
 CAPACITY: 15305 SCFM  
 SERVICED BY: UNIFIED VALVE  
 SERVICE DATE: 12/2011  
 SIZE: 2" x 3"  
 CODE STAMP: UV  
 BLOCK VALVE: NO  
 CRN: OG8842.5C  
 LOCATION: UPPER SHELL  
 TAG: 19569F



Equip. No. \_\_\_\_\_ Prov. Reg. No. **506337** C.R.N. **R-7760.2** Serial No. **2004-7235-01** Yr. Inst. \_\_\_\_\_  
 Code/Div. **ASME VIII, Div 1** Size: **40in x 120in** Manufacturer: **ALCO GAS & OIL** Yr. Bld. **2004**  
 C. Stamp: **U** Service: **SOUR** PWHT: **HT** Radiography: **RT-1** Insulated: **NO**

**Design & Materials Data**

**HEAD:**  
 Top Mat'l. **SA 516 70N** Top Nom. **54.6mm** Top C.A. **3.2mm**  
 Btm. Mat'l. \_\_\_\_\_ Btm. Nom. \_\_\_\_\_ Btm. C.A. \_\_\_\_\_  
**CHANNEL:**  
 Material: \_\_\_\_\_ Nominal: \_\_\_\_\_ C.A. \_\_\_\_\_  
**BOOT**  
 Head Mat'l. \_\_\_\_\_ Head Nom. \_\_\_\_\_ Head C.A. \_\_\_\_\_  
 Shell Mat'l. \_\_\_\_\_ Shell Nom. \_\_\_\_\_ Shell C.A. \_\_\_\_\_  
**SHELL**  
 Material: **SA 516 70N** Nominal: **57.2mm** C.A. **3.2mm**  
 MAWP Shell Side: **15099 kPa** @ Temp. **38°C**  
 MAWP Tube Side: \_\_\_\_\_ @ Temp. \_\_\_\_\_

CLIENT	CANADIAN NATURAL RESOURCES	
FACILITY	UMBACH FIELD LSD c-37-F/94-H-03	
ITEM	INLET SEPARATOR	
BY: CW	DATE: 03/2012	DWG.# 14

# UTS DATA

**CLIENT:** CANADIAN NATURAL RESOURCES  
**EQUIPMENT:** INLET SEPARATOR  
**CRN#:** R-7760.2  
**PROV REG:** A 506337  
**TESTED ON STREAM**

**FACILITY:** UMBACH FIELD  
**SERVICE:** SOUR  
**LOCATION:** c-37-F/94-H-03  
**RTD JOB #:** 10.111395  
**REFER TO DRAWING:** 14

Test Point	THICKNESS DATA				Flag	T-Min	C.A.	Nom.	Short Term	Long Term	Ave. mm/py	Retirement Date
<hr/>												
210												
Description:	BOTTOM HEAD											
	2012 3											
Min. Thick.	59	51.40	3.2	54.60					0	0		
Average:	59.6											
Analysis:	2012/03 MIN SCAN @ KNUCKLE.											
<hr/>												
215												
Description:	BOTTOM SHELL											
	2012 3											
Min. Thick.	59.7	54.00	3.2	57.20					0	0		
Average:	60											
Analysis:												
<hr/>												
220												
Description:	SIDE SHELL											
	2012 3											
Min. Thick.	59.7	54.00	3.2	57.20					0	0		
Average:	60											
Analysis:												
<hr/>												
225												
Description:	SIDE SHELL											
	2012 3											
Min. Thick.	59.8	54.00	3.2	57.20					0	0		
Average:	59.9											
Analysis:												
<hr/>												
230												
Description:	UPPER SHELL											
	2012 3											
Min. Thick.	59.7	54.00	3.2	57.20					0	0		
Average:	60											
Analysis:												
<hr/>												
235												
Description:	BOTTOM HEAD											
	2012 3											
Min. Thick.	57	51.40	3.2	54.60					0	0		
Average:	57.5											
Analysis:	2012/03 MIN SCAN @ MID BAND.											

# UTS DATA

**CLIENT:** CANADIAN NATURAL RESOURCES  
**EQUIPMENT:** INLET SEPARATOR PIPING  
**CRN#:**  
**PROV REG:**  
**TESTED ON STREAM**

**FACILITY:** UMBACH FIELD  
**SERVICE:** SOUR  
**LOCATION:** c-37-F/94-H-03  
**RTD JOB #:** 10.111395  
**REFER TO DRAWING:** 14

Test Point	THICKNESS DATA				Flag	T-Min	C.A.	Nom.	Short Term	Long Term	Ave. mm/py	Retirement Date
<b>205</b>												
Description:	8" 90° ELBOW											
	2012 3											
Min. Thick.	15.8		16.01	11.5	2.3	18.30						
Average:	18							0		0		
Analysis:	2012/03 MIN SCAN @ MID ELBOW MID APEX. 2012/03 RETIREMENT DATE: 2026.											
<b>240</b>												
Description:	2" 90° ELBOW											
	2012 3											
Min. Thick.	8		7.61		1.1	8.70						
Average:	8.3							0		0		
Analysis:												
<b>245</b>												
Description:	2" 90° ELBOW											
	2012 3											
Min. Thick.	9.4		7.61		1.1	8.70						
Average:	9.7							0		0		
Analysis:												
<b>250</b>												
Description:	2" 90° ELBOW											
	2012 3											
Min. Thick.	7.7		7.61		1.1	8.70						
Average:	8							0		0		
Analysis:												
<b>255</b>												
Description:	2" 90° ELBOW											
	2012 3											
Min. Thick.	8.2		7.61		1.1	8.70						
Average:	8.4							0		0		
Analysis:												
<b>260</b>												
Description:	2" 90° ELBOW											
	2012 3											
Min. Thick.	7.8		7.61		1.1	8.70						
Average:	8							0		0		
Analysis:												

