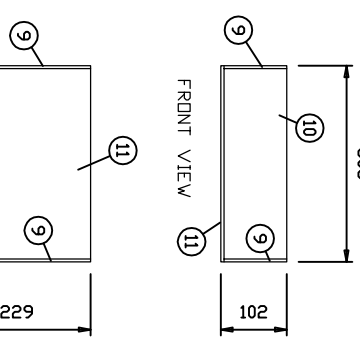
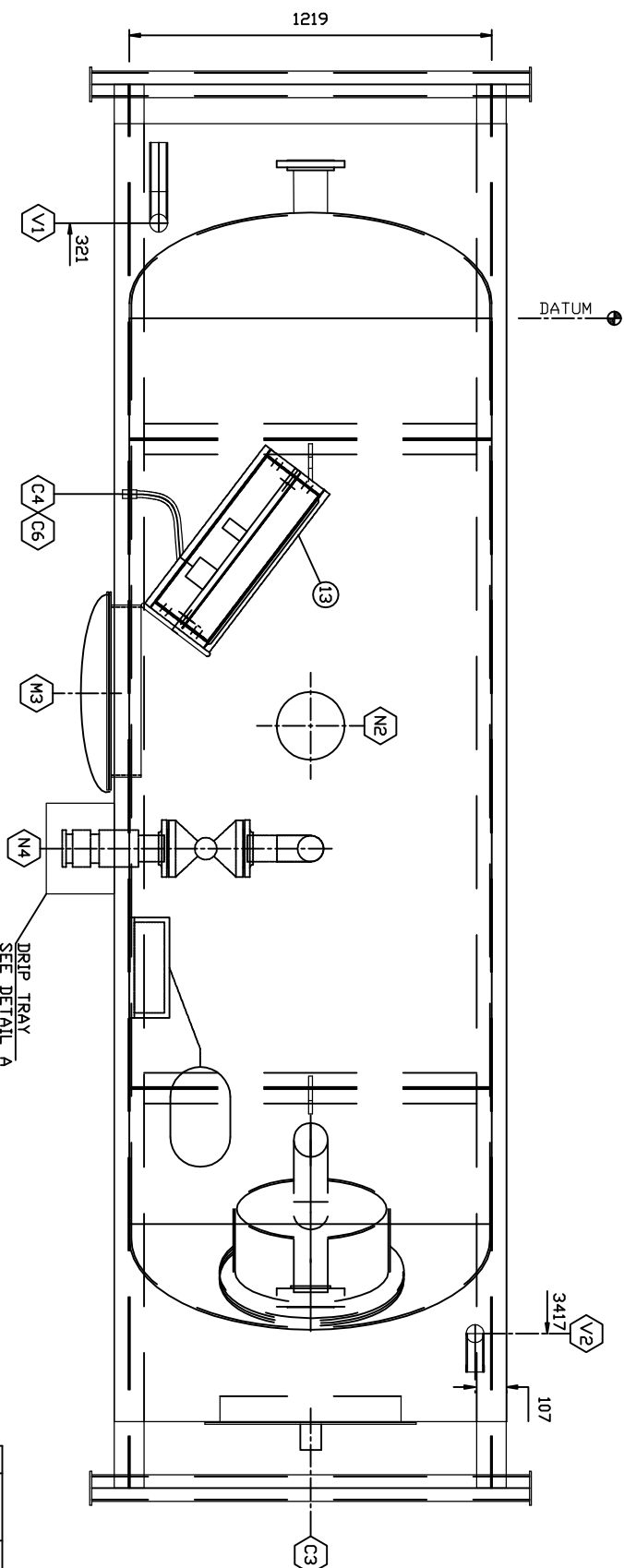
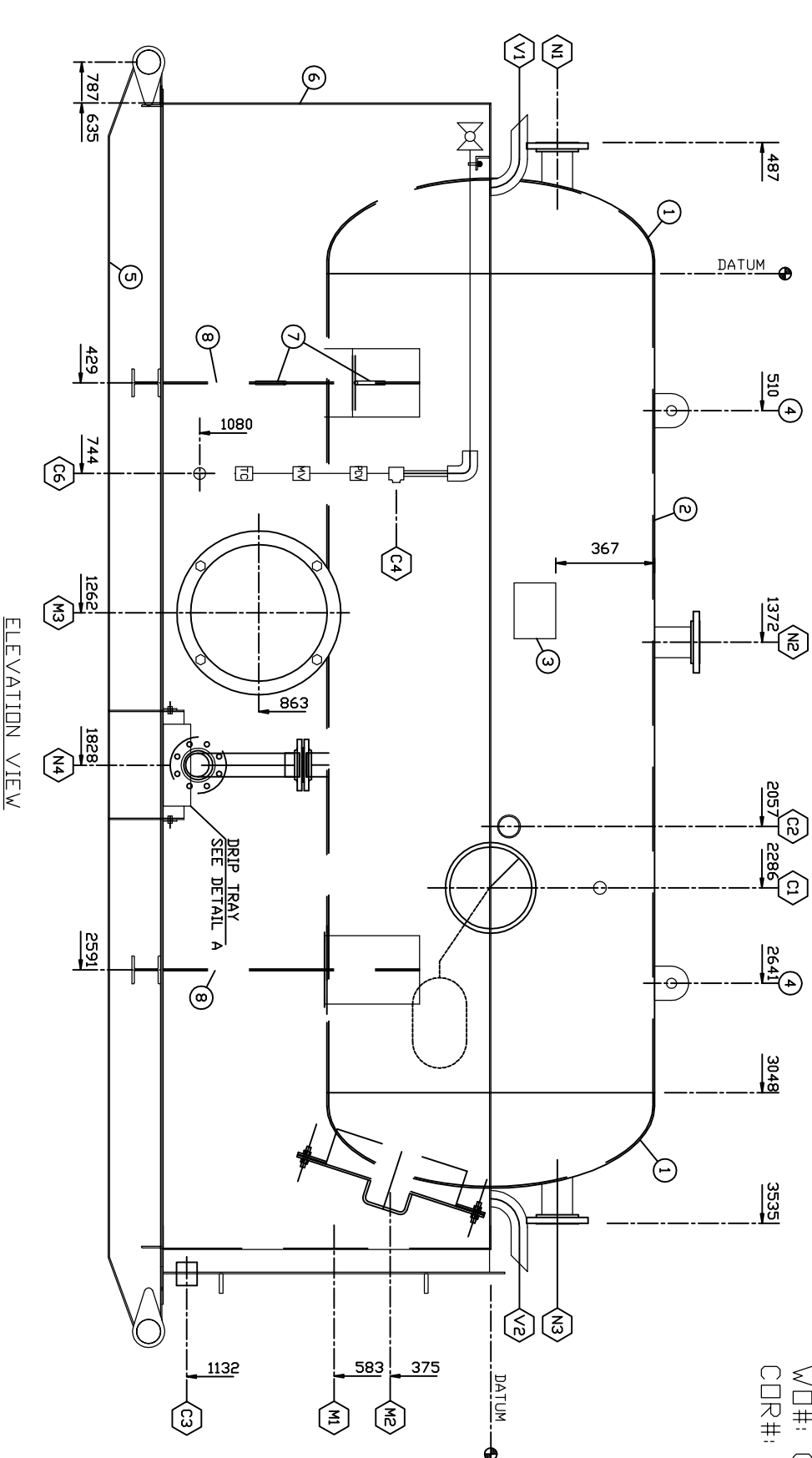
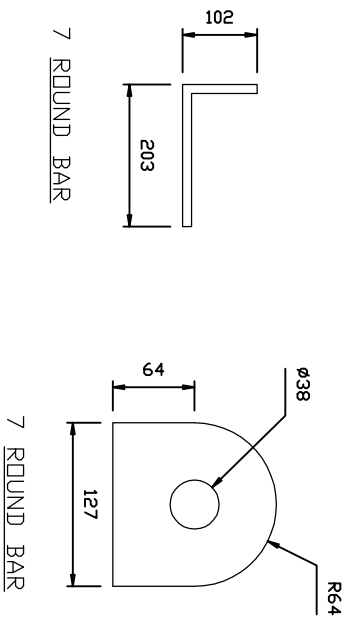


WD#: 000560, 000562
 COR#: 2266, 2267



DETAIL A

QTY	DESCRIPTION	MAT'L	REMARKS	WT.(KG)
1	SE. HEAD: Ø1219 (48") O.D. x 9.5 TH.	SA-304/316		662
2	PIPE: Ø1219 (48") O.D. x 6.4 TH. x 3048	SA-304/316	SHELL	1276
3	1 NAME PLATE & MOUNTING BRACKET			
4	2 TAILING LUG	A36		
5	1 SKID ASSEMBLY		021023-CGP-01D13	
6	1 PLATE DETAIL	A36	021023-CGP-01D12	
7	1 DOORHANDLE: Ø19/16" x 406 LG.	SA-304/316	021023-CGP-01D11	2
8	1 SADDLE PLATE	A36		
9	2 PLATE: 4.8 (3/16") x 102 x 229	A36	SIDE OF DRIP TRAY	
10	1 PLATE: 4.8 (3/16") x 102 x 305	A36	FRONT OF DRIP TRAY	
11	1 PLATE: 4.8 (3/16") x 229 x 305	A36	BOTTOM OF DRIP TRAY	
12	2 2" BALL PLUGS	A105		
13	1 CATADYNE HEATER			
1	1 CABLE STRAIN RELIEF			
1	1 Ø1/4" 2000# MASGDRI BALL VALVE			
1	1 Ø1/4" BUR MALL SQ. HEAD PLUG (STD.)			
4	4 Ø5/16" x 1" CAPSCREWS	GR-5		
4	4 Ø5/16" HEX NUTS	GR-5		
8	8 Ø5/16" FLAT WASHER			
12	3/8" TUBING	S.S.		
3	GROMMET CLAMP'S			
1	3/8" x 1 1/2" XS NIPPLE	A106B		
2	1/4" NPT - 3/8" TUBE STRAIGHT	S.S.	ALOK FITTING	
2	1/4" NPT - 3/8" TUBE 90° ELBOW	S.S.	ALOK FITTING	
3	3/8" NPT - 3/8" TUBE STRAIGHT	S.S.	ALOK FITTING	
2	ANGLE: 3/16" TH. x 2" x 2" x 11" LG.	A36		
3	Ø4" 150# PLASTIC FLANGE PROTECTOR			
1	1 1/2" PLASTIC COUPLER PROTECTOR			
1	3/4" PLASTIC COUPLER PROTECTOR			



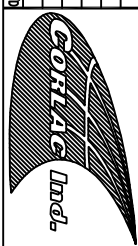
7 ROUND BAR

7 ROUND BAR

DESIGN NOTES	INSULATION
DESIGN SPECIFICATION:	ENTIRE EXTERIOR 1 1/2" URETHANE & BLACK ELASTOMERIC SEALER
ASME 1998 ED. 1999 ADD CODE	INTERNAL FINISH:
SECT. VII DIV. I UWT1	BLAST - 12-14 mile DEVOE 253 COMPLETE INTERNAL COAT
DESIGN PRESSURE:	? kPa (9oz./sq.in.)
DESIGN VACUUM:	? kPa (9oz./sq.in.)
OPERATING PRESSURE:	? kPa (9oz./sq.in.)
OPERATING VACUUM:	? kPa (9oz./sq.in.)
MAX. OPERATING TEMP.:	38°C (100° F)
CORROSION ALLOWANCE:	FLOOR: mm (")
	SHELL: mm (")
	ROOF: mm (")
MINIMUM DESIGN METAL TEMPERATURE: -29°C (-20°F)	
TANK SIZE (DIA. x HEIGHT)	4.03 m (13.23 BBL)
CAPACITY:	
DESIGN LIQUID LEVEL:	
SERVICE:	
DESIGN SPECIFIC GRAVITY:	
ESTIMATED WT.:	
TANK TAG. NO.:	
INSPECTION & TESTING	
IMPACT TESTING NOT MANDATORY PER UG 20f (1-5)	
FOR SOUR SERVICE IMPACT TEST TO ROCKWELL 22 C	
PRIMARY AIR TEST:	20 psid
SECONDARY AIR TEST	8 oz

GENERAL NOTES
1. ALL DIMENSIONS IN MILLIMETRES UNLESS INDICATED OTHERWISE.
2. FLANGE BOLT HOLES TO STRADDLE DIMENSION CENTERLINES.
3. MATERIAL LIST SHOWN FOR ONE DRUM, ONE REQUIRED.
4. REFER TO DRAWING 020916-CGP-01D16 FOR WELDING DETAILS.
5. SHIP LOOSE ITEMS:
6.
7.
8.
9.
10.

NO.	DATE	ISSUED FOR CONSTRUCTION	BY (PKNO)
1	02/11/04	CANCELED 05	JHZ
0		ISSUED FOR CONSTRUCTION	JHZ
		REVISIONS	



DESIGNER	CORLAC STOCK FKO DRUM	DATE	02/09/16	SCALE	N.T.S.
CHECKER	GENERAL ARRANGEMENT	NO.	11	PROJECT NO.	021023-CGP-01SH
	25 BBL DOUBLE CONTAINED	REV.	17	QUANTITY	1

REF.: