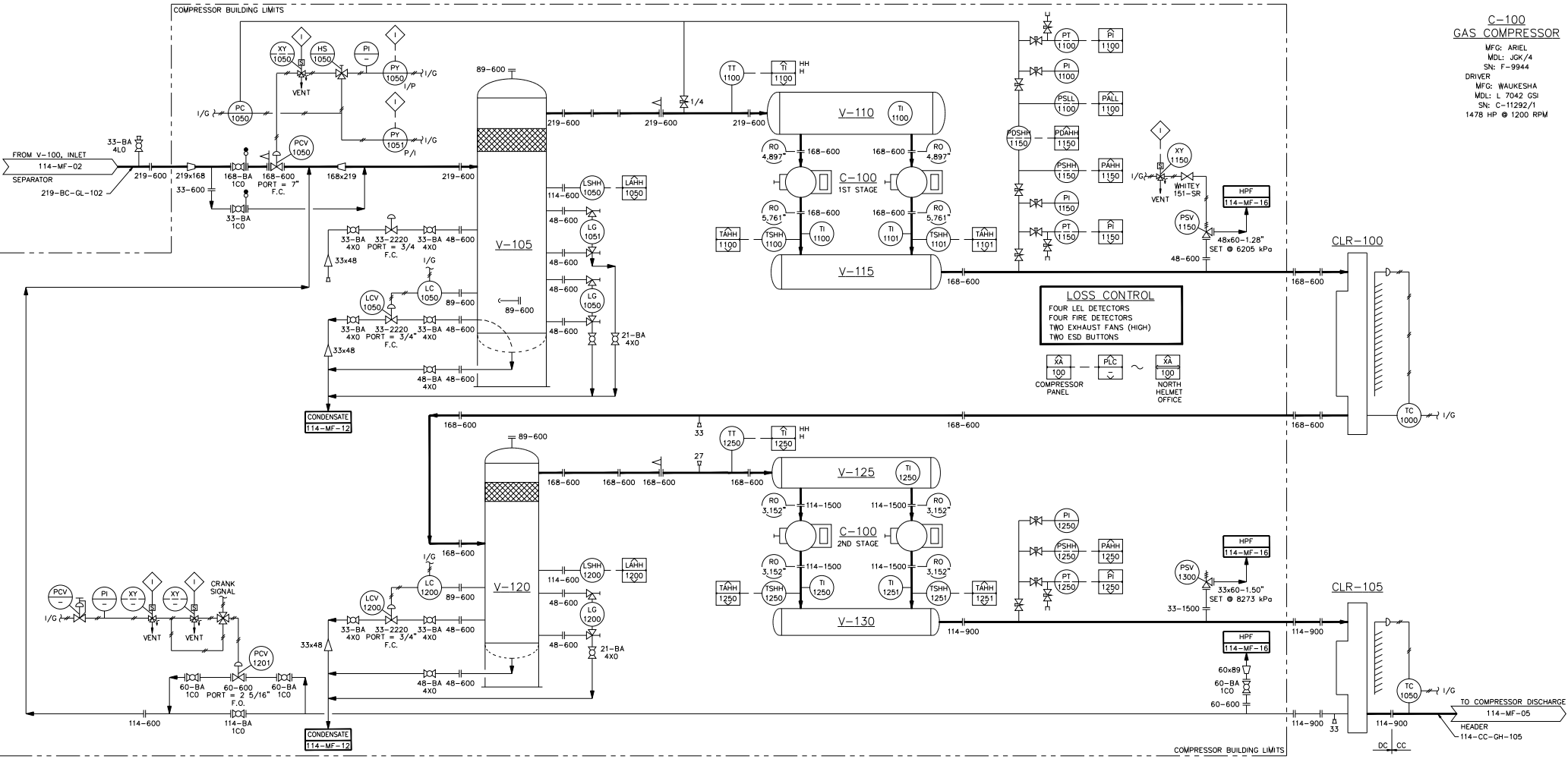


THIS DRAWING IS THE PROPERTY OF NORTHERN DRAFTING SERVICES LTD. ON BEHALF OF ITS CLIENT. FOR COPIES OR REVISIONS TO THIS DRAWING, PLEASE CALL 1-250-785-0131.

AutoCAD 14

V-105 1ST STAGE SUCTION SCRUBBER SIZE: 914 mm Ø x 2413 mm S/S MAWP: 6895 kPa @ 177°C SN: 94086-01 CA: 3.2 mm CRN: H-6569.1 MFG: ENERFLEX	V-110 1ST STAGE SUCTION DAMPNER SIZE: 457 mm Ø x 1651 mm S/S MAWP: 6895 kPa @ 177°C SN: 94086-03 CA: 3.2 mm CRN: H-5737.1 MFG: ENERFLEX	V-115 1ST STAGE DISCHARGE DAMPNER SIZE: 406 mm Ø x 1651 mm S/S MAWP: 6895 kPa @ 177°C SN: 94086-04 CA: 3.2 mm CRN: H-5738.1 MFG: ENERFLEX	CLR-100 1ST STAGE COOLER MAWP: 6205 kPa @ 177°C SN: 945114.3C CRN: H-3709.21	V-120 2ND STAGE SUCTION SCRUBBER SIZE: 762 mm Ø x 1778 mm S/S MAWP: 6895 kPa @ 177°C SN: 94086-02 CA: 3.2 mm CRN: H-5736.1 MFG: ENERFLEX	V-125 2ND STAGE SUCTION DAMPNER SIZE: 324 mm Ø x 1778 mm S/S MAWP: 6895 kPa @ 177°C SN: 94086-05 CA: 3.2 mm CRN: H-5739.1 MFG: ENERFLEX	V-130 2ND STAGE DISCHARGE DAMPNER SIZE: 273 mm Ø x 1778 mm S/S MAWP: 11376 kPa @ 177°C SN: 94086-06 CA: 3.2 mm CRN: H-5740.1 MFG: ENERFLEX	CLR-105 2ND STAGE COOLER MAWP: 11376 kPa @ 177°C SN: N/A CRN: M-4197.21
---	--	--	--	---	--	---	---



C-100
GAS COMPRESSOR
 MFG: ARIEL
 MDL: JGK/4
 SN: F-9944
 DRIVER
 MFG: WAUKESHA
 MDL: L 7042 GSI
 SN: C-11292/1
 1478 HP @ 1200 RPM

PROFESSIONAL AND PERMIT STAMPS AFFIXED HEREUNDER SHALL APPLY ONLY TO REVISION(S)

NORTHERN DRAFTING SERVICES LTD.
 OILFIELD DESIGN AND DOCUMENTATION
 FORT ST JOHN, B.C.
 1-250-785-0131

APPROVED FOR CONSTRUCTION

BY: _____ DATE YY MM DD
 BY: _____ DATE YY MM DD

Canadian Natural

α-73-H, 94-P-14 HOSSILT COMPRESSOR STATION
 C-100 GAS COMPRESSOR
 MECHANICAL FLOW DIAGRAM

CLIENT FILE NO.	SCALE	NORTHERN DRAWING NUMBER	REV.
CLIENT DWG NUMBER	NTS	HOSα73H-220-0003	3

NO.	DATE	REVISIONS	DRAWN	CHECK	DESIGN	APPR.
3	20 08 05	AS IS	WRM	WRM		
2	25 03 96	AS BUILT	WRM	WRM		
1	06 01 96	ISSUED FOR CONSTRUCTION	WRM	WRM	ADG	ADG

NO.	TITLE	REFERENCE DRAWINGS
114-PP-01	MECHANICAL PLOT PLAN	
114-MF-01 TO 19	MECHANICAL FLOW DIAGRAMS	