

BU-1000
WATER TREATMENT BUILDING
 SIZE: 34' L x 22' W x 12' EAVE
 MFG: BORDER INSULATORS

BH-1200/1210
RUFFNECK HEATERS
 10 Kw

F-1210
OVIVO VESSEL
 SIZE: 42" DIA x 60" S/S
 CAP: 50-125 USGPM
 MAWP: 125 PSI
 MFG: OVIVO
 CRN: X0715.24

F-1220
OVIVO VESSEL
 SIZE: 42" DIA x 60" S/S
 CAP: 50-125 USGPM
 MAWP: 125 PSI
 MFG: OVIVO
 CRN: X0715.24

F-1230
OVIVO VESSEL
 SIZE: 42" DIA x 60" S/S
 CAP: 50-125 USGPM
 MAWP: 125 PSI
 MFG: OVIVO
 CRN: X0715.24

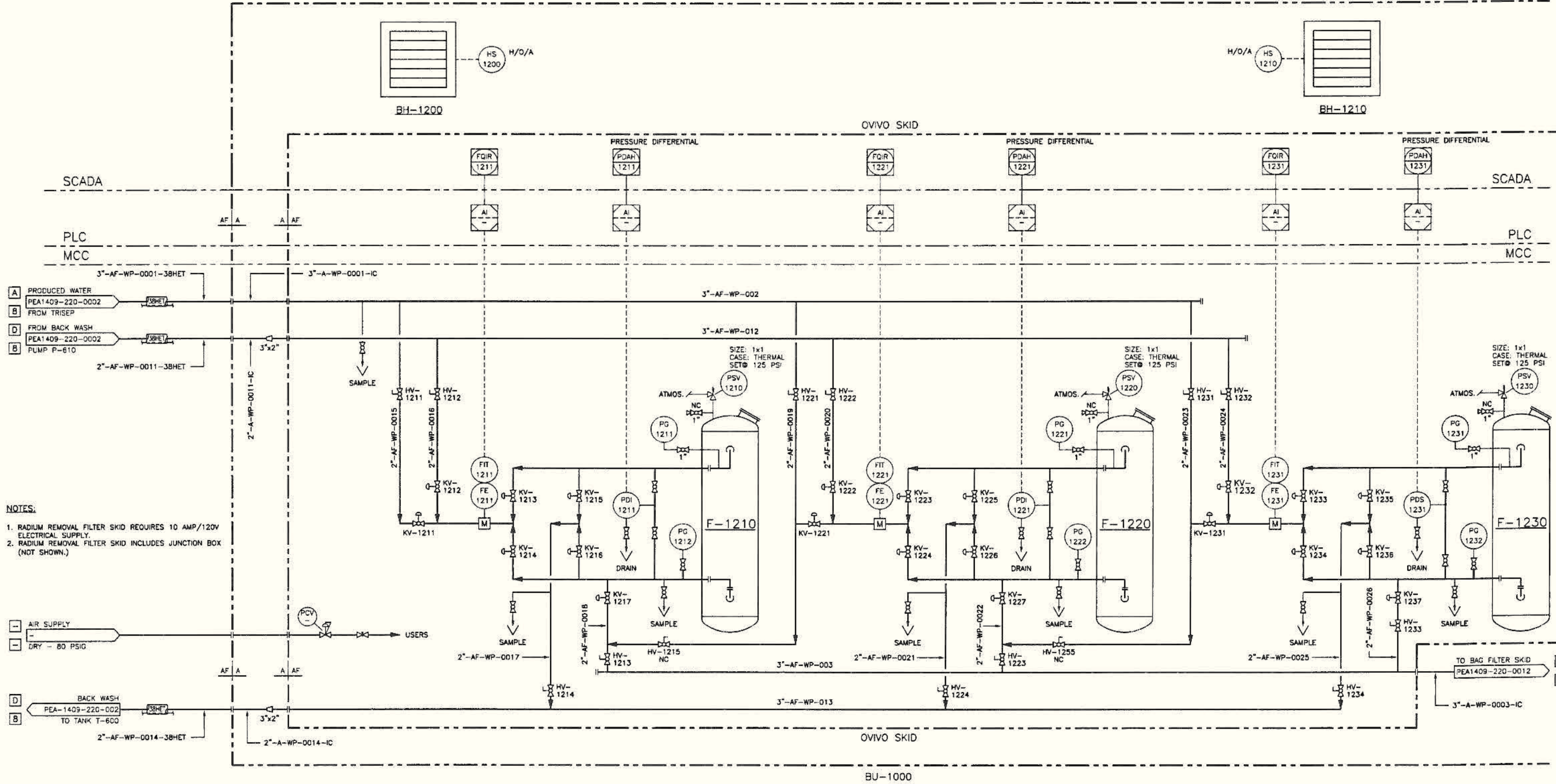
BU-1000

A

B

C

D




- NOTES:**
- RADIUM REMOVAL FILTER SKID REQUIRES 10 AMP/120V ELECTRICAL SUPPLY.
 - RADIUM REMOVAL FILTER SKID INCLUDES JUNCTION BOX (NOT SHOWN.)

AIR SUPPLY
 DRY - 80 PSIG

BACK WASH
 PEA-1409-220-002 TO TANK T-600

REV.	DESCRIPTION	BY	DATE	CHK	APP.	CLIENT
1	AS BUILT	MF	2013-02-08	JP		
0	ISSUED FOR CONSTRUCTION	MF	2012-10-22	JP		
A	ISSUED FOR REVIEW	MF	2012-09-28	JP		

DRAWN BY:	M. FRANCESCONI	DATE:	2012-09-27
DESIGNED BY:		DATE:	
CHECKED BY:		DATE:	
APPROVED BY:		DATE:	
CLIENT BY:		DATE:	


Canadian Natural
 TITLE: **PIERSON (4006)**
LSD: 14-09-002-29 W1M
OVIVO SKID
P&ID
 SCALE: N.T.S. JOB NO.: - DRAWING NO.: PEA1409-220-0015 REV. 1