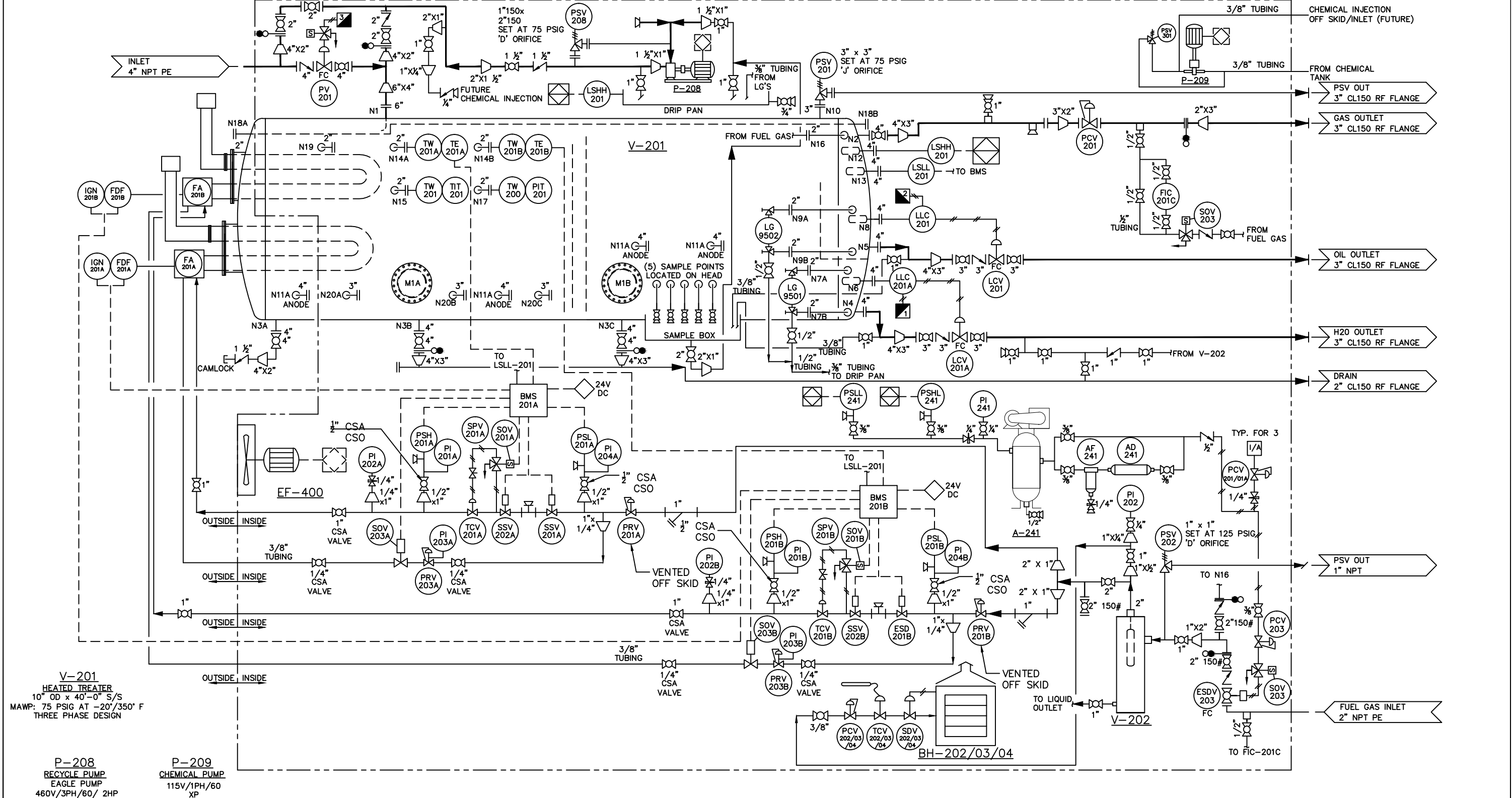


SKID LIMITS



V-201
HEATED TREATER
10" OD x 40'-0" S/S
MAWP: 75 PSIG AT -20°/350° F
THREE PHASE DESIGN

P-208
RECYCLE PUMP
EAGLE PUMP
460V/3PH/60/ 2HP
XP

P-209
CHEMICAL PUMP
115V/1PH/60
XP

A-241
AIR COMPRESSOR
115V/3/60/ 3HP,(TBC) XP
30 GAL (TBC)

EF-400
EXHAUST FAN
115V/1/60/ 1/4 HP, XP
(TBC)

V-202
FUEL GAS SCRUBBER
8 5/8" OD x 30" S/S
MAWP: 125 PSIG AT -20°/200° F

BH-203
BUILDING HEATER
24" x 48" CATALYTIC HEATER
120V NATURAL FUEL GAS

BH-202/04
BUILDING HEATER
24" x 24" CATALYTIC HEATER
120V NATURAL FUEL GAS

NO.	DATE	REVISION	BY	APP
0	21-01-21	AS BUILT	SB	-



RARE OILFIELD SERVICES
1650, LIFE PLAZA 734-7TH AVENUE
SW, CALGARY, AB, T2P 3P8
OFFICE: 403.990.1175

TITLE: 10" OD X 40'0" S/S 75 PSI HEATED TREATER			
DRAWN: SB	DATE: 01-21-25	CHECKED:	DATE:
APPROVED:	DATE:	SCALE: NTS	SHEET: 1 OF 1
PROJECT: 44750	DWG NO: 44750-P&ID	REV. 0	