

V-100
 24" O.D. x 8'0" S/S
 1440# M.A.W.P. @ 130°F
 3 PHASE, DRESSED 2 PHASE
 SOUR, STRESS RELIEVED,
 100% RT

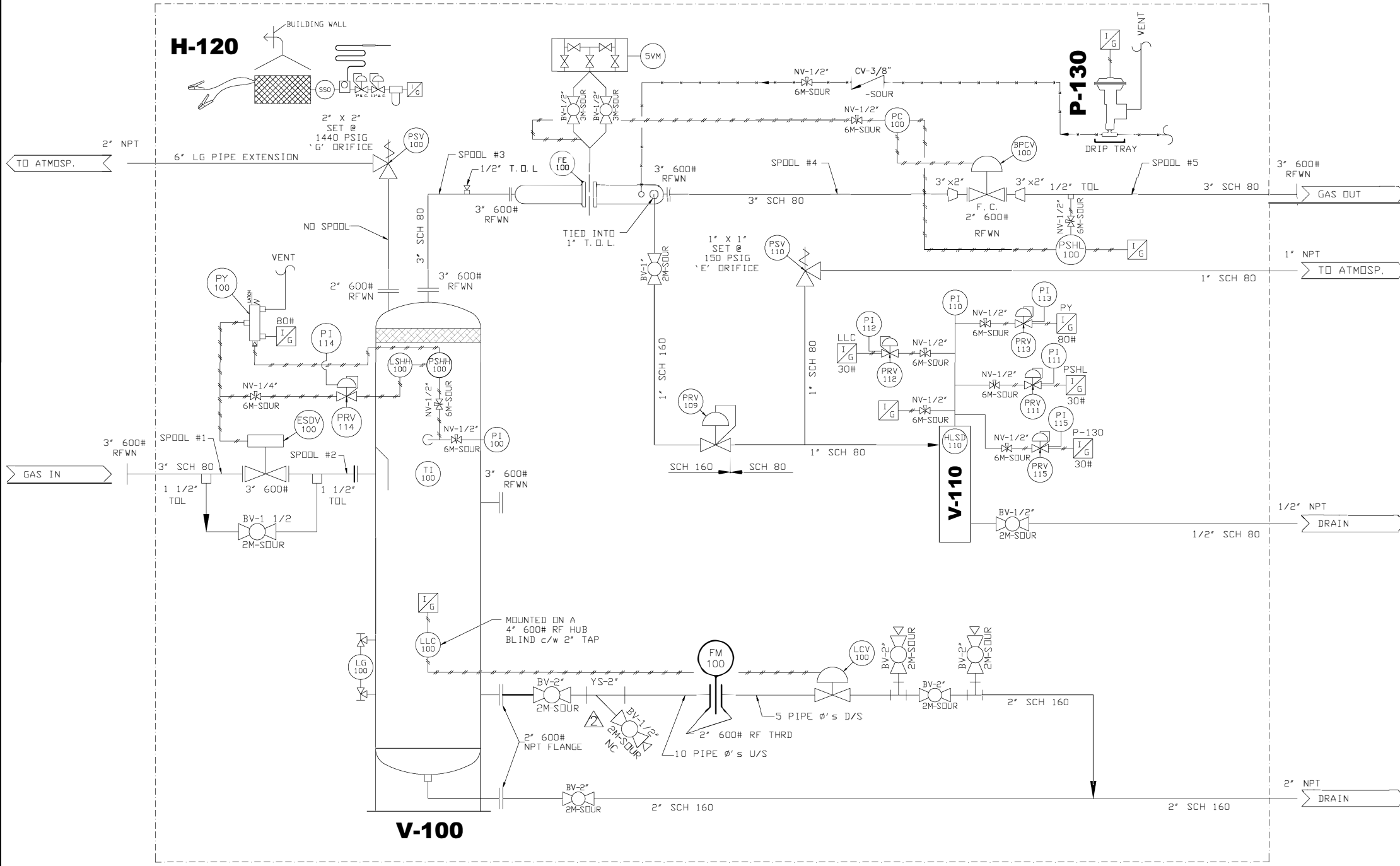
V-110
 8" O.D. x 24" S/S
 375# M.A.W.P. @ 130°F
 FUEL GAS SCRUBBER
 STRESS RELIEVED,
 100% RT
 P/N 60603

H-120
 C.C.I. WX 24 x 30 (25,000 BTU/HR RATING)
 CATADYNE HEATER, NATURAL GAS,
 GRILL GUARD, SAFETY SHUT OFF,
 VENT HOOD, SOUR GAS FILTER,
 25' OF 12 VOLT START CABLES.
 MODEL #W24030-181112
 P/N 76653

SKID
 8' x 8' EL
 PRODUCT #07504
P-130
 CVS SERIES 51 CHEMICAL
 INJECTION PUMP 3/8" PLUNGER
 STD/SOUR SERVICE

BILL OF MATERIALS:

MARK	QTY	DESCRIPTION
SVM-	1	5 VALVE 316SS MANIFOLD, SOUR 5T1S-4FLG, 316SS C/W C.S. MOUNT, 1/2" FNPT
LLC 100	1	2" NPT, NORRISEAL 1001A LIQUID LEVEL CONTROLLER, SNAP ACTING, C/W FLOAT, SOUR
PC 100	1	CVS 4150 PRESSURE CONTROLLER, 0 - 1500#, DIRECT ACTING, SOUR
BPCV 100	1	2" 600# RF, CVS 667-45 D-BODY PRESSURE CONTROL VALVE, SS M-FORM TRIM, 3/4" TRAVEL, 14 - 30# SPRING, FAIL CLOSED, SOUR
LCV 100	1	2" NPT 3705#, NORRISEAL 2220 LEVEL CONTROL VALVE, 3/4" TRIM, SOUR
PRV 109	1	1" NPT, FISHER 627 REGULATOR, 1/8" DRIFICE, 70 - 150#, STEEL BODY, NYLON DISC, SOUR
PRV 111	1	1/4" NPT, FISHER 67 CFR REGULATOR, 0 - 35#, VENTED BONNET, SOUR
PRV 112	1	1/4" NPT, FISHER 67 CFR REGULATOR, 0 - 35#, VENTED BONNET, SOUR
PRV 113	1	1/4" NPT, FISHER 67 CFR REGULATOR, 0 - 125#, VENTED BONNET, SOUR
PRV 114	1	1/4" NPT, FISHER 67 CFR REGULATOR, 0 - 35#, VENTED BONNET
PRV 115	1	1/4" NPT, FISHER 67 CFR REGULATOR, 0 - 35#, VENTED BONNET, SOUR
PY 100	1	CVS 4057 3-WAY SWITCHING VALVE, MANUAL RESET, 125 MAWP
LG 100	1	1/2" NPT, QUALITY MACHINE Q15T20 TRANSPARENT GAUGE GLASS, C/W 3/4" NPT Q146 GAUGE COCKS, NACE
PI 100	1	1/2" NPT x 4" FACE, PRESSURE GAUGE, 0 - 2000#, SOUR
PI 110	1	1/4" NPT x 2 1/2" FACE, PRESSURE GAUGE, 0 - 200#, SOUR
PI 111	1	1/4" NPT x 2 1/2" FACE, PRESSURE GAUGE, 0 - 60#, SOUR
PI 112	1	1/4" NPT x 2 1/2" FACE, PRESSURE GAUGE, 0 - 60#, SOUR
PI 113	1	1/4" NPT x 2 1/2" FACE, PRESSURE GAUGE, 0 - 200#, SOUR
PI 114	1	1/4" NPT x 2 1/2" FACE, PRESSURE GAUGE, 0 - 60#, SOUR
PI 115	1	1/4" NPT x 2 1/2" FACE, PRESSURE GAUGE, 0 - 60#, SOUR
PSHH 100	1	1/2" NPT, CVS 7970, SINGLE PRESSURE SENSOR, MANUAL RESET & MANIFOLD-PNEUMATIC, 650 PSI RISING
TI 100	1	1/2" NPT x 3" x 6" STEM, TEMPERATURE INDICATOR, -40° TO 160°F, C/W 316SS THERMOWELL, SOUR
LSHH 100	1	2" NPT, SDR 1530C-G2A-C-JD-PS-NC LC, C/W FLOAT (SNAP ACTING) SOUR, 0-60 PSI SUPPLY PRESS
FE 100	1	3" 600# RF, DANIEL SENIOR DRIFICE FITTING METER RUN, AGA (2000), SCH 80, LEFT HAND CRANK, SOUR
FM 100	1	2" x 1/2" 600# RATING, PRIMARY FLOW WM0050X2 EZ-IN FLOW METER, NO MAG PICKUP, DR TOTALIZER SUPP. BY CUST., HUB EXT'N & INSTALL KIT ONLY, 4-40 m3/D
PSV 100	1	2" MNPT x 2" FNPT, TAYLOR 8200 PRESSURE SAFETY VALVE, SET @ 1440#, 'G' DRIFICE, SOUR
PSV 110	1	1" MNPT x 1" FNPT, TAYLOR 8200 PRESSURE SAFETY VALVE, SET @ 150#, 'E' DRIFICE, SOUR
ESDV 100	1	3" 600# RF, JAG BALL VALVE, FP, C/W ES0950 EL-D-MATIC ESD ACTUATOR, PNEUMATIC SPRING RETURN, SIZED FOR 80 PSI SUPPLY, FC NACE
HLSL 110	1	2" NPT, LOUVER & GAUGES HIGH LEVEL FUEL-GAS SHUTDOWN, SOUR
BV1 1/2T-2MS	1	1 1/2" NPT 2000#, NUTRON FP BALL VALVE, SPRING RETURN LOCKABLE, #T3-F15S2S2, SOUR
BV1/2T-2MS	2	1/2" NPT 2000#, STOCK BALL VALVE, SOUR
BV1/2T-3MS	2	1/2" NPT 3000#, NKM BALL VALVE, FP, SOUR
BV1T-2MS	1	1" NPT 2000#, STOCK BALL VALVE, SOUR
BV2T-2MS	5	2" NPT 2000#, STOCK BALL VALVE, SOUR
CV3/8TB-S	1	3/8" TB, WGI (BALL) CHECK VALVE, 316SS, SOUR
NV1/2T-6MS	10	1/2" NPT 6000#, WESTERN GAUGE 316SS NEEDLE VALVE, SOUR
NV1/4T-6MS	1	1/4" NPT 6000#, WESTERN GAUGE 316SS NEEDLE VALVE, SOUR
PSHL 100	1	FISHER 4660-XB HIGH/LOW RELAY PNEUMATIC SET AT 4000kpag RISING, 350 kpag FALLING, 0-1500 PSI, BLOCK & BLEED RELAY
YS2T-1480#S	1	2" NPT 1480#, ALTA Y-STYLE NYS600, @ 100°F BODY A216 WC, SCREEN 304SS, SOUR

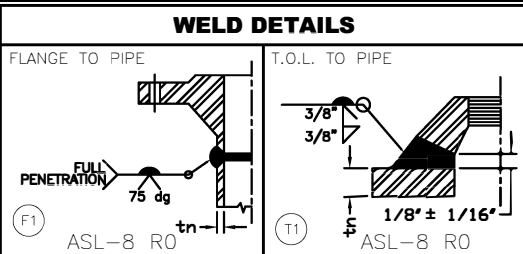


SEE LAYOUT FOR PIPING & GENERAL NOTES

CUSTOMER:

TITLE:
24" O.D. x 8'0" S/S
1440 PSI M.A.W.P. @ 130°F
3 PHASE, DRESSED 2 PHASE,
SOUR SERVICE SEPARATOR P&ID

ALL INSTRUMENT TUBING IS TO BE VENTED OUTSIDE THE BUILDING.



DESIGN DATA:
 ASME B31.3 2010 ED. NORMAL SERVICE

	CLASS 600 SPOOLS # 1 - 5	2" NPT PIPING	1" NPT HP PIPING
M.A.W.P.:	1440 PSIG @ 130°F	1440 PSIG @ 130°F	1440 PSIG @ 130°F
M.D.M.T.:	-20°F @ 1440 PSIG	-20°F @ 1440 PSIG	-20°F @ 1440 PSIG
HYDROTEST:	2160 PSIG	2160 PSIG	2160 PSIG
RADIOGRAPHY:	100%	N/A	N/A
OTHER/NDE:	N/A	N/A	N/A
C.A.:	1/8"	1/8"	1/8"
PWHT:	YES, PER B31.3 LATEST ED.	N/A	N/A

REVISIONS:

NO.	DESCRIPTION:	BY:	DATE:
3	AS BUILT	MG	06.27.13
2	ADDED Y-STRAINER & PUMP	SB	03.17.13
1	ISSUED FOR CONSTRUCTION	MS	03.08.13
0	ISSUED FOR APPROVAL	MS	02.28.13



DRAWN BY:	MS	SCALE:	N.T.S.
CHECKED BY:		DATE:	02/27/13
APPROVED BY:		QUOTE:	VQ13-021
		DWG. #:	DM1869P
SHEET	1 OF 2	REV.:	3

CUSTOMER:

TITLE: **24" x 8'0" S/S 1440 PSI SEPARATOR P&ID**

SERIAL #: 231861