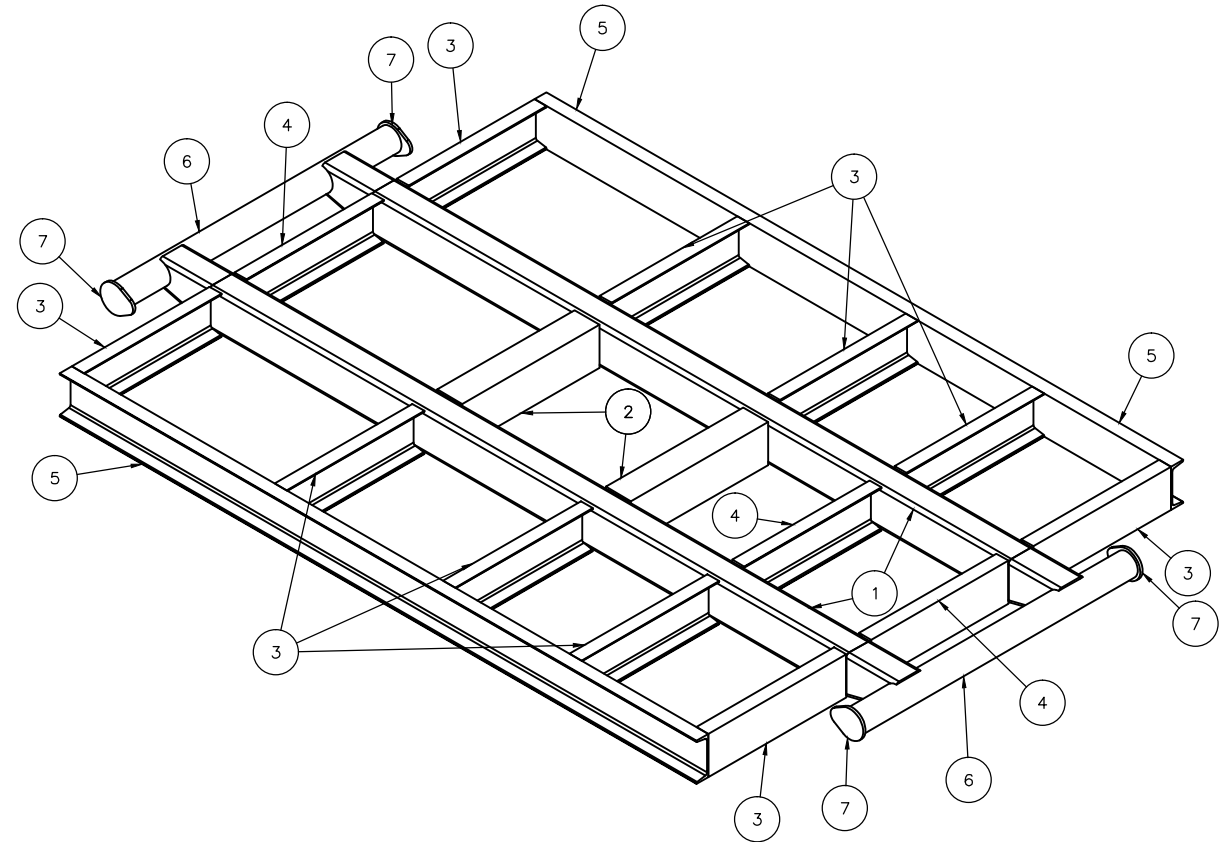


Parts List					
ITEM	QTY	NAME	NOTE	PART NO	LENGTH
1	2	TUBE 6" X 4" X 1/4	DET SHT 2	TUBE 6X4	118 1/2"
2	2	TUBE 6" X 4" X 1/4	SQ CUT	TUBE 6X4	22"
3	10	CHANNEL 6" @ 8.2 STANDARD	SQ CUT	CHANNEL 6"	22 1/16"
4	3	CHANNEL 6" @ 8.2 STANDARD	SQ CUT	CHANNEL 6"	22"
5	2	CHANNEL 6" @ 8.2 STANDARD	SQ CUT	CHANNEL 6"	102"
6	2	PIPE 3" S80 SMLS A106B	SQ CUT	PIPE 3" S80	44"
7	4	PLATE 3/8 G40.21 44W x 4 1/4"	DET SHT 2	PLATE 3/8"	5 1/4"
8	1	PLATE CHECKER 1/4 x 60"	SHOWN SHT 2	CHECKER 1/4	77 1/2"
9	1	PLATE CHECKER 1/4 x 41 1/4"	SHOWN SHT 2	CHECKER 1/4	77 1/2"



REV	DESCRIPTION	DATE	APPROVED
REVISION HISTORY			
TOLERANCES FABRICATION TOLERANCE - +.005 MACHINING TOLERANCE - +.002		DO NOT SCALE DIMENSIONS	
WELDS ALL WELDS ARE # FILLET UNLESS NOTED OTHERWISE			
THE DESIGN AND SPECIFICATIONS ON THIS DOCUMENT ARE THE PROPERTY OF BRITANNIA COMPRESSION LTD. AND SHALL NOT BE REPRODUCED OR COPIED IN ANY FORM WITHOUT WRITTEN PERMISSION BY AN OFFICER OF THE COMPANY.			
BC Britannia Compression CALGARY, ALBERTA CANADA		CFE CE FRANKLIN	
Drawn RWG	Date 11/18/02	Title 6' 6" x 8'-6" SKID ASSEMBLY STRUCTURAL DETAILS CNRL	SHEET 1 OF 2
Checked CW	Date 10/25/02		
Scale NTS	Weight (net) Lbs	Size D	Rev A

RELEASED FOR FABRICATION