

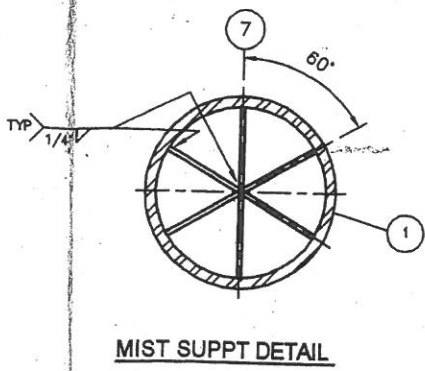
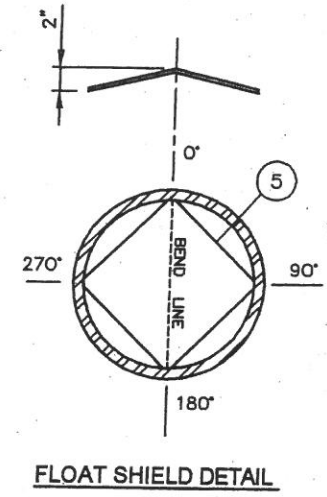
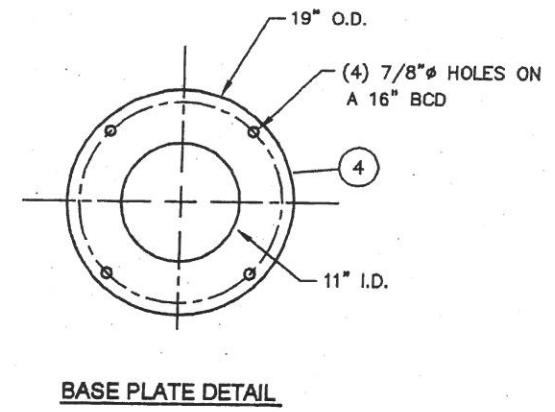
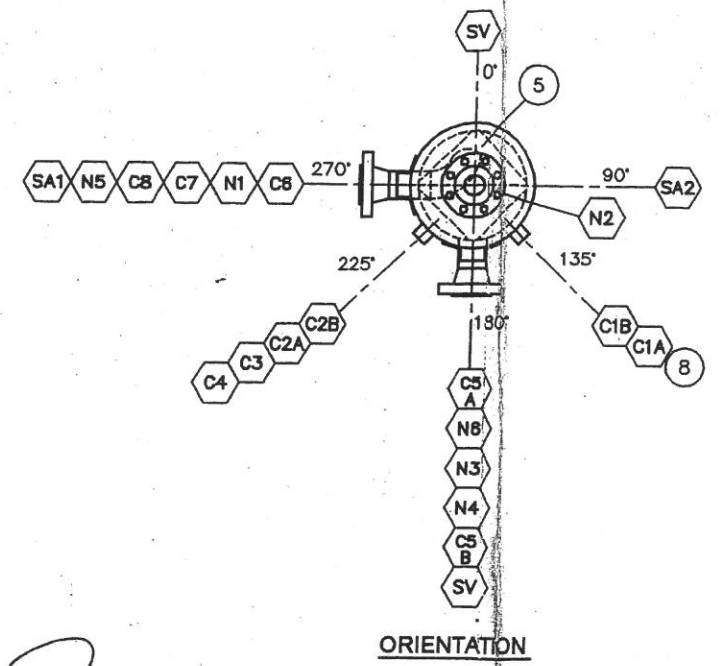
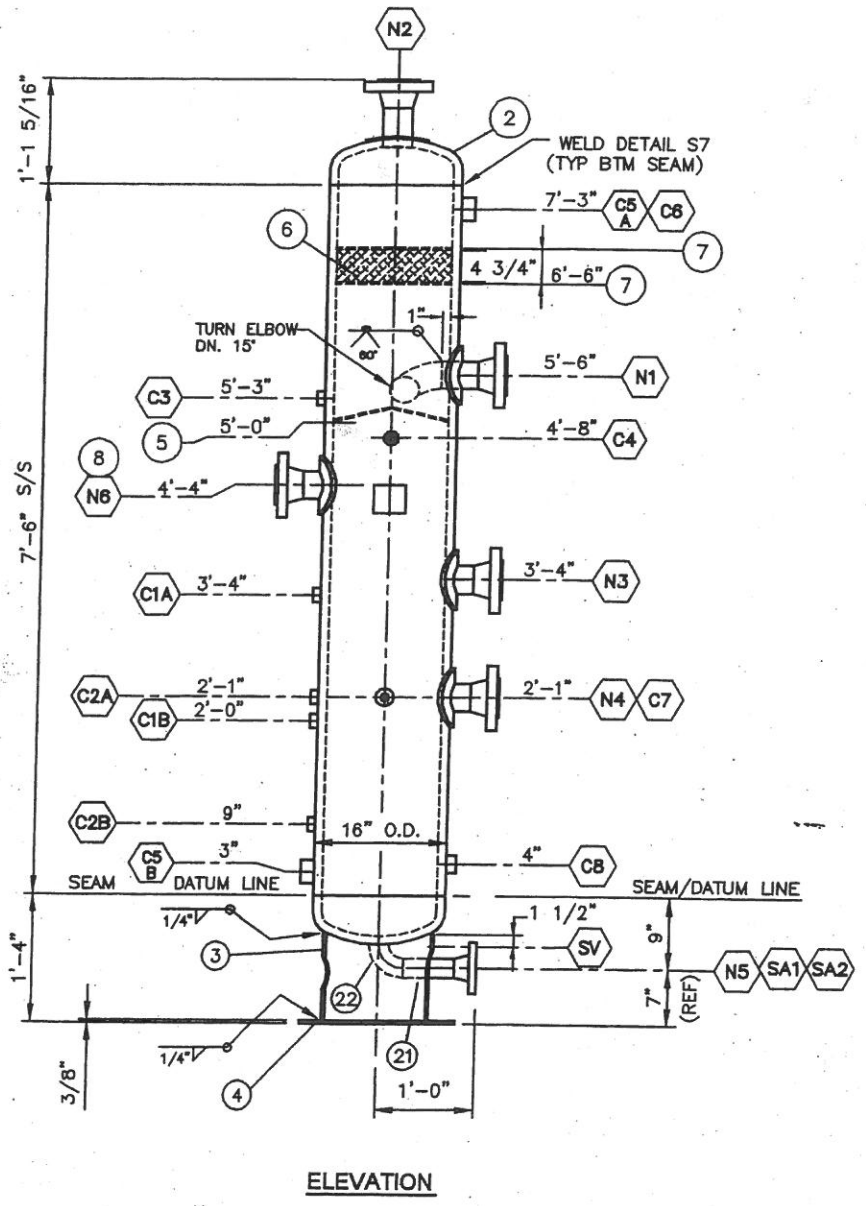
Approved for Construction
 By: MB Date: Sept 15/05
 (4) UNITS REQUIRED
 JOB No.
 PE-9568-9569
 PE-9679-9680
 PE-9681-9686

~~PE 9568, PE 9569~~
~~PE 9679, PE 9680~~
~~PE 9681-9686~~

NOZZLE NO.	NO. REQ'D	SIZE	RATING & CLASS	SERVICE	PROJECTION		WELD SIZES			WELD DETAIL
					INSIDE	OUTSIDE	"A"	"B"	"C"	
N1	1	3"	600 RFWN	INLET	SHOWN	6"	3/8	-	1/4	F1/N3
N2	1	3"	600 RFWN	OUTLET	0	SHOWN	3/8	-	1/4	F1/N4
N3	1	3"	600 RFWN	OIL LLC	0	6"	3/8	-	1/4	F1/N4
N4	1	3"	600 RFWN	COND LLC	0	6"	3/8	-	1/4	F1/N4
N5	1	2"	600 RFWN	DRAIN	0	SHOWN	3/8	-	-	F1/N5
N6	1	3"	600 RFWN	HLSD	0	6"	3/8	-	1/4	F1/N4
C1A/B	2	3/4"	6000 CPLG	COND. LG	-	0	3/8	-	-	C1
C2A/B	2	3/4"	6000 CPLG	WATER LG	-	0	3/8	-	-	C1
C3	1	1/2"	6000 CPLG	PI	-	0	3/8	-	-	C1
C4	1	3/4"	6000 CPLG	TI	-	0	3/8	-	-	C1
C5A/B	2	1 1/2"	3000 CPLG	INSPECTION	-	0	3/8	-	-	C1
C6	1	1"	6000 CPLG	PSV	-	0	3/8	-	-	C1
C7	1	1"	6000 CPLG	OIL OUT	0	0	3/8	-	-	C1
C8	1	1"	6000 CPLG	WATER OUT	0	0	3/8	-	-	C1
SA1	1	7 1/2"	MOUSE HOLE	SKIRT ACCESS						
SA2	1	4"		SKIRT ACCESS						
SV	2	1"		SKIRT VENT						

BILL OF MATERIALS				DESCRIPTION	MAT'L	WD#
MARK	QTY					
1	1	SHELL		16"-SCH 100 (1.031") SML'S PIPE x 7'-6" LG	SA-106-B	S7
2	2	HEAD		16"-2:1 S.E. HEAD .875" NOM (.75" MIN) c/w 2" S.F.	SA-516-70N	S7
3	1	SKIRT		12"-STD WT PIPE x 10 7/8" LG SHOP CHECK	SA-106-B	
4	1	BASE PL		3/8" PL x 19" OD x 11" ID	G40.21-44W	
5	1	BAFFLE PL		1/4" PL x 14 3/4" x 14 3/4" TRIM CORNERS & BEND	G40.21-44W	
6	1	MIST EXTRACTOR		MISTEX 14" OD x 4" THK 9#/Cu.FL	316 SS	
7	6	MISTEX SUPPT		3/8" BARS x 13 7/8" LG	C.S.	
8	1	NAME PLATE		PENFABCO STANDARD NAME PLATE C/W BRACKET	SS/-44W	
11	5	N1,N2,N3,N4,N6		3"-CLASS 600 RFWN SCH XXH BORE	SA-105N	
12	3	N3,N4,N6		3"-SCH XXH SML'S PIPE x 3 3/4" LG	SA-106-B	
13						
14	1	N1 NECK		3"-SCH XXH SML'S PIPE x 4 3/4" LG	SA-106-B	
15	1	N1 INLET DEF.		3"-STD WT 90° LR ELBOW	SA-234-WPB	
16	4	REPADS N1,N3,N4,N6		1/4" PL x 7 1/2" OD x 3 5/8" ID-ROLL TO OD SHELL	SA-516-70N	
17	1	N2 NECK		3"-SCH XXH SML'S PIPE x 5" LG	SA-106-B	
18	1	N2 REPAD		1/4" PL x 7 1/2" OD x 3 5/8" ID-FORM TO FIT HEAD	SA-516-70N	
19	1	N5		2"-CLASS 600 RFWN SCH 160 BORE	SA-105N	
20	1	N5 NECK		2"-SCH 160 SML'S PIPE x 6 1/4" LG	SA-106-B	
21	1	N5 ELBOW		2"-SCH 160 90° LR BW ELBOW	SA-234-WPB	
22						
23	2	C5A/B		1 1/2"-CLASS 3000 NPT HALF CPLG	SA-105N	
24	3	C6,C7,C8		1"-CLASS 6000 NPT HALF CPLG	SA-105N	
25	5	C1A/B,C2A/B,C4		3/4"-CLASS 6000 NPT HALF CPLG	SA-105N	
26	1	C3		1/2"-CLASS 6000 NPT HALF CPLG	SA-105N	

NOTE: THREADED INSPECTION OPENINGS ARE 2.375" ID



~~PE 9681~~
~~9682~~
~~9683~~
~~9684~~
~~9685~~
~~9686~~

NOTES

- IMPACT TESTING OF SHELL AND HEADS IS EXEMPT PER UG-20(f)1-5.
- MTR TO BE PROVIDED FOR ALL PRESSURE RETAINING MATERIAL.
- EXTERNAL LOADING ARE NOT APPLICABLE (REF.UG-22)
- ALL SHOWN DIMENSIONS ARE TO BE HELD TO 1/16"
- VESSEL FABRICATED & DESIGNED UNDER PENFABCO DWG 6624BB REV 0 CRN P2437.123
- STRESS RELIEVE VESSEL FOR 65 MINUTES AT 1125°F ±25°

DESIGN DATA

DESIGN AND FABRICATE TO A.S.M.E.CODE SECTION VIII DIV.1, 2004 EDITION
 PARA: UW-11(a)
 DESIGN PRESS 1440 PSIG DESIGN TEMP. -20°/100°F STRESS RELIEF YES-SEE NOTE 6
 X-RAY RT-1 EFFICIENCY-1.0 SHELL JOINT 1.0 HEADS 1.0 HEAD/SHELL SEAM 1.0 C.A. 0.125"
 SHELL THKNS NEW: 1.031" HEAD THKNS NEW: 0.750" (MIN)
 HYDROSTATIC TEST PRESS 2160 PSIG WEIGHT EMPTY 1700 lb.
 WEIGHT FULL OF WATER 2243 lb. VOLUME 8.7 cu.ft.
 MDMT -20°F @ 1440 PSIG MAWP 1440 PSIG @ 100°F

REV.	DESCRIPTION	BY	APP.	DATE
0	ISSUED FOR FABRICATION	SPB	SPB	SEPT 15/05

PENFABCO LTD.

5715 - 56 AVE N.W., EDMONTON ALBERTA T6H 2J5
 PH: 434-0222 FAX: 436-1487

CUSTOMER: **ARGO SALES LTD**

3 PHASE SEPARATOR (SOUR)
16" O.D. x 7'-6" S/S x 1440 PSIG
x 1/8" CA @ 100° F

DWN.BY: SPB	CHK'D.BY: SPB	APP'D.BY:	DATE: SEPT 15/05	SCALE: 1:24	CRN NO. P 2437.123	DRAWING NO.: PE-9568	REV.: 0
-------------	---------------	-----------	------------------	-------------	--------------------	----------------------	---------

THE CONTENTS OF THIS DRAWING ARE CONFIDENTIAL AND MAY NOT BE REPRODUCED IN ANY FORM WITHOUT THE WRITTEN PERMISSION OF PENFABCO LTD.