

CUSTOMER:

**TERRA ENERGY c/o
GREAT PLAINS ENG.**

TITLE:

16" x 7'6" 1440# SOUR SEPARATOR

SERIAL #:

PE9682-85

DESIGN NOTES

GENERAL NOTES

- 1) PIPING TO CONFORM TO ASME B31.3 LATEST EDITION
- 2) X-RAY ON BUTT WELDED JOINTS: SEE CHART
- 3) STRESS RELIEVING ON BUTT WELDED SPOOLS: SEE CHART
- 4) WELDED PIPING, STRESS RELIEVED FOR 1 HOUR @ 1150°F
- 5) MAXIMUM HEATING: 400°F/HR FROM 600°F TO 1150°F
- 6) MAXIMUM COOLING: 400°F/HR FROM 1150°F TO 600°F
- 7) HYDRO TEST ON BUTT WELDED SPOOLS: SEE CHART
- 8) VENTING INSTRUMENTS TIED TO COMMON HEADER
- 9) MEASUREMENTS ARE APPROXIMATE

FINISH NOTES

- 1) VESSEL, SKID & PIPING TO BE BLASTED TO SSPC-SP7 BRUSH BLAST
- 2) VESSEL, SKID & PIPING TO BE PRIMED WITH ONE COAT OF ARGO SHOP PRIMER
- 3) VESSEL, SKID & PIPING TO BE FINISHED WITH ONE COAT OF ARGO CLOVERDALE GRAY ENAMEL

PIPING DESIGN

- 1) THREADED H.P. LINES: SCH 80 WITH 3000# FITTINGS
- 2) THREADED L.P. LINES: SCH 80 WITH 3000# FITTINGS
- 3) WELDED PIPING: SCH 80
- 4) INSTRUMENT TUBING: 316SS
- 5) INSTRUMENT TUBE FITTINGS: 316SS SWAGelok
- 6) PROCESS TUBING: 316SS
- 7) PROCESS TUBE FITTINGS: 316SS SWAGelok

MATERIALS

- 1) PIPE: A106 GR. B
- 2) NPT FITTINGS: A105
- 3) FLANGES: A105
- 4) WELD FITTINGS: A234 WPB
- 5) PRESSURE GASKETS: 316SS FLEXATATIC
- 6) PRESSURE BOLTING: 2HM NUTS/B7M STUDS

BUILDING

- 1) 7' x 7' x 8' EAVE
- 2) ALUMINUM EXTERIOR
- 3) 24 GAUGE FLUTED ALUMINUM INTERIOR
- 4) 3' x 7' INSULATED STEEL MANDDOOR c/w IWG WINDOWS, PANIC HARDWARE, AND LOCKSET.
- 5) 38" x 36" DOUBLE GLAZED SLIDING WINDOW WITH SCREEN
- 6) 12' x 12' MANUAL SLIDER WITH SCREEN (2 REQUIRED)

CUSTOMER:
**TERRA ENERGY c/o
GREAT PLAINS ENG.**

TITLE:
**16" O.D. x 7'6" S/S
1440# M.A.W.P. @ 100°F
SENIOR & D-BODY
SOUR SERVICE**

P.O. Box 1160
NISKU INDUSTRIAL
PARK
NISKU, ALBERTA
T9E 8A8

ARGO
SALES LTD.

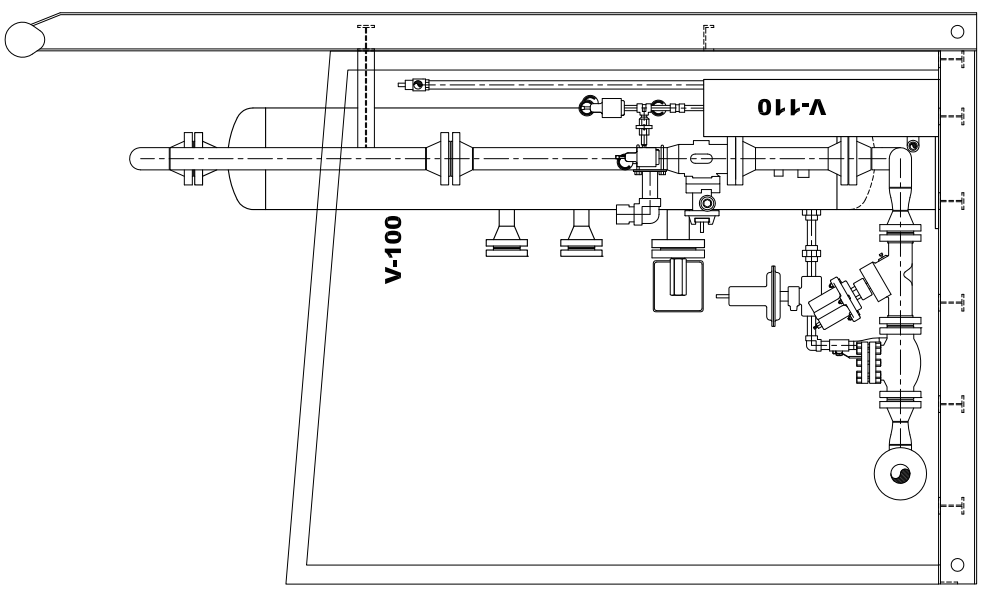
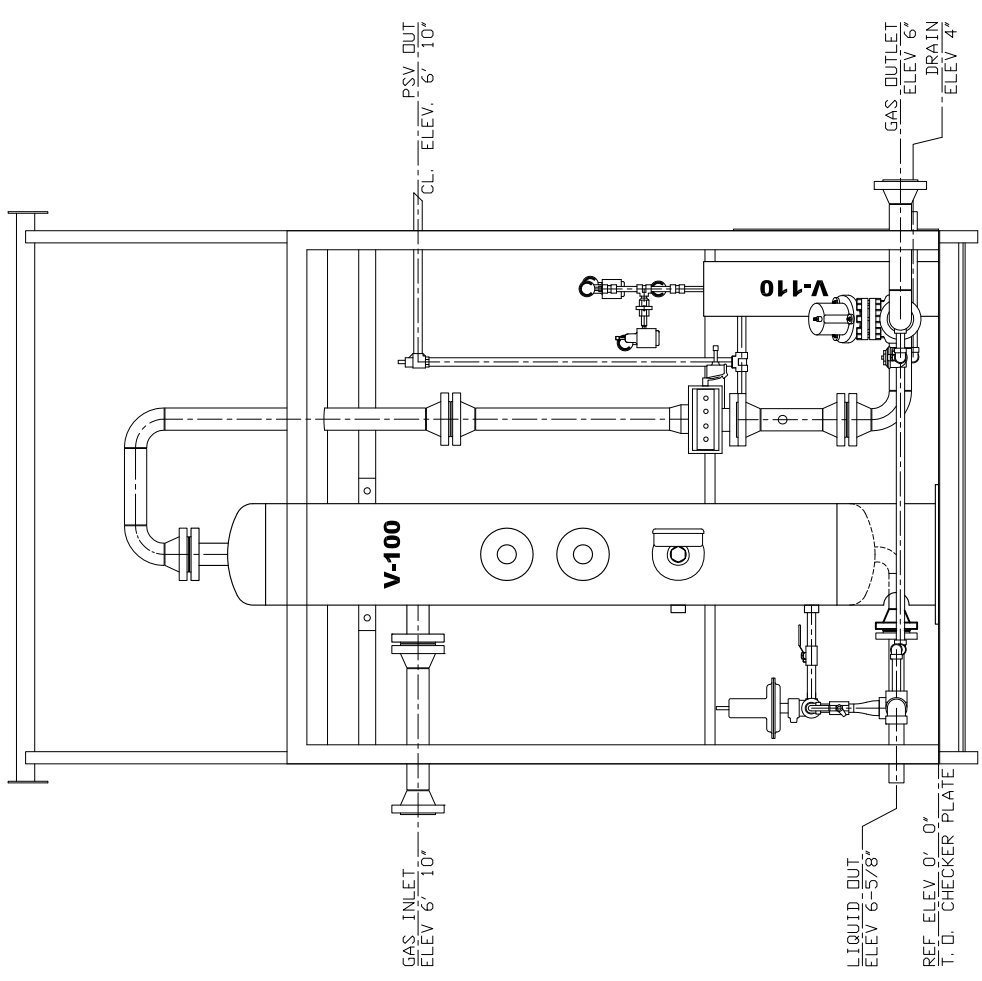
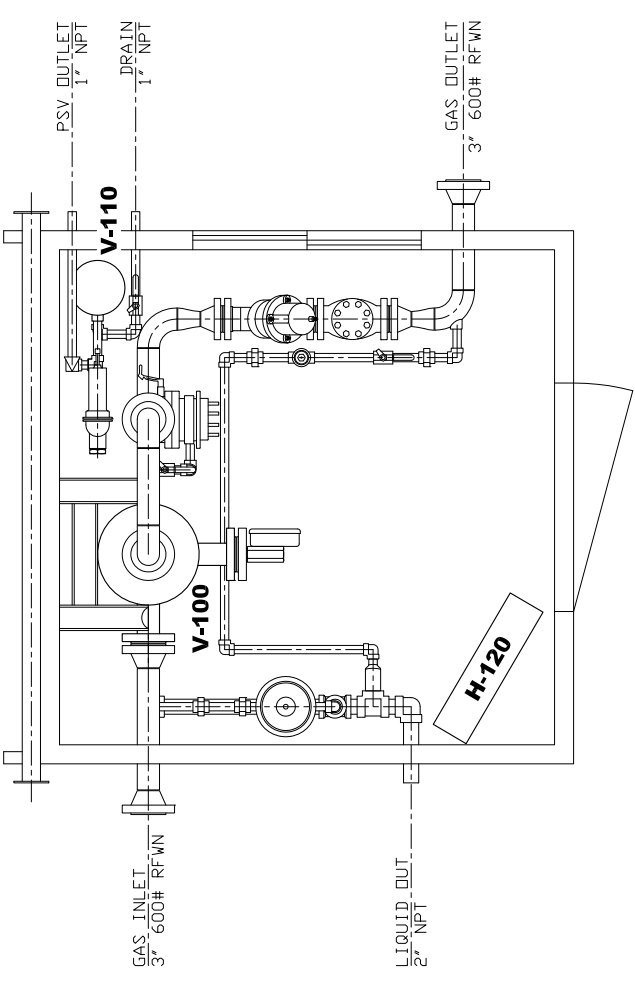
SCALE: N.T.S.
DATE: 03/21/06
CHECKED BY:
APPROVED BY:
DWG. #: DM1270L
SHEET 2 OF 3
REV.:

V-100
16" O.D. x 7'6" S/S
1440# M.A.W.P. @ 100°F
3 PHASE, DRESSED 2 PHASE
SOUR, STRESS RELIEVED
100% X-RAYED

H-120
C.C.I. WX 24x24 (16,000 BTU/HR
RATING) CATALYTIC HEATER,
PROPANE GAS, GRILL GUARD,
SAFETY SHUT OFF, THERMOSTAT,
VENT HOOD, SOUR GAS FILTER, 25
OF 12 VOLT START CABLES

V-110
8" O.D. x 36" S/S
150# M.A.W.P. @ 100°F
FUEL GAS SCRUBBER
STRESS RELIEVED

SKID
7' x 7" "EL" SKID
PRODUCT #12872



REVISIONS	
NO.	DESCRIPTION
0	
APPROVAL	DATE
BY:	03.21.06
DESCRIPTION:	

SPOOL DATA					
SPOOL #	WEL PROC.	X-RAY	STRESS	DESIGN	TEST
1 thru 4	ASL-8	100%	YES	1440#	2160#

NOTES	
1)	SEE DRAWING # DM1225P FOR MATERIALS LIST.
2)	UNDERSIDE OF SKID IS 3" SPRAYED POLYURETHANE WITH FIRE RETARDANT SEALER.