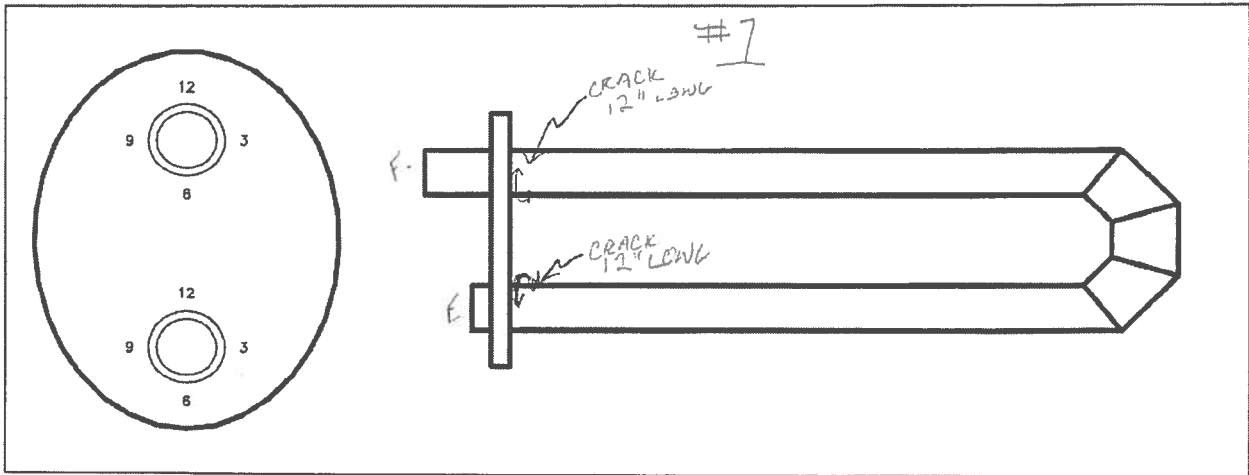


**FIRE-TUBE INSPECTION REPORT**



Cracks found by MPI (indicated on diagram)

Visual Defects (indicated on diagram)

**Ultrasonic Wall Thickness Measurements**

Fire-Tube Number: \_\_\_\_\_

ABSA Number: 0228209

Date of Inspection: SEPT 24/08

Location of Inspection:

NATCO CANADA NISKU

	Top				Bottom			
	12	3	6	9	12	3	6	9
	9.3	9.4	9.5	9.4	9.3	9.4	9.5	9.5
	9.4	9.4	9.5	9.4	9.7	9.5	9.5	9.5
	9.3	9.3	9.4	9.5	9.7	9.5	9.5	9.4
	9.3	9.4	9.5	9.4	9.4	9.4	9.5	9.4
m	9.4	9.3	9.4	9.3	9.7	9.8	9.4	9.5
M	9.5	9.4	9.6	9.3				
M	9.4	9.3	9.1	9.3				