



Integrity Testing
SERVICES

P.E. No.: _____ Yr. Bill: _____
 C# _____ Marway: _____
 Serial No.: _____ Size: _____
 P.R.N. / S: _____ Service: _____
 C.R.N.: _____ PWHT: _____
 Code/DW.: _____ RT: _____
 Part: _____ Insulated: _____
 C. Stamp: _____ N.B. No: _____
 Manufacturer: _____

Design & Materials Data

HEAD
 Material: _____
 Nom.: _____
 C.A.: _____

BOOT HEAD
 Material: _____
 Nom.: _____
 C.A.: _____

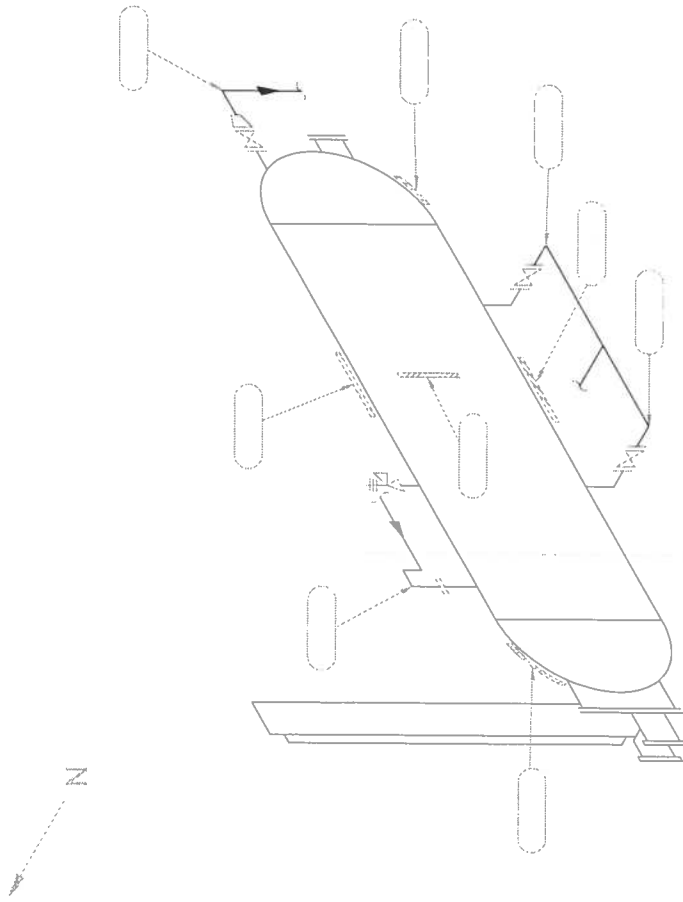
CHANNEL HEAD
 Material: _____
 Nom.: _____
 C.A.: _____

MAWP Shell Side: _____ @ Temp.: _____
MAWP Tube Side: _____ @ Temp.: _____

SHELL
 Material: _____
 Nom.: _____
 C.A.: _____

BOOT SHELL
 Material: _____
 Nom.: _____
 C.A.: _____

CHANNEL SHELL
 Material: _____
 Nom.: _____
 C.A.: _____



CLIENT

CSUN

FACILITY

EAST WATTS FIELD

ITEM#

TREATER

Comments: _____

BY: _____

DATE: _____

DRG# 015

LSD 04-09-031-16W4M