

© DESIGN IT COVERS ARE CONFIDENTIAL AND THE PROPERTY OF PROPAK SYSTEMS LTD. AND SHALL NOT BE DISCLOSED TO OTHERS OR REPRODUCED IN ANY MANNER OR USED FOR ANY PURPOSE WHATSOEVER EXCEPT BY WRITTEN CONSENT OF PROPAK.

PIPING SYMBOLS

LOCALLY MOUNTED

TWO INSTRUMENTS IN THE SAME HOUSING

PANEL MOUNTED IN CONTROL ROOM

BEHIND PANEL MOUNTED IN CONTROL ROOM

INSTRUMENT MOUNTED ON LOCAL PANEL

BEHIND PANEL MOUNTED ON LOCAL PANEL

LOCAL DISPLAY (DATALINER) OR ANNUNCIATOR

HIGH/LOW LEVEL ALARMS

PB → PUSH BUTTON

HS → HAND SWITCH

STATUS LIGHT

R LOCAL RESET

INTERLOCK (E.G. SHOWN: INTERLOCK #100A)

DISTRIBUTED CONTROL SYSTEM

PROGRAMMABLE LOGIC CONTROL SYSTEM

DISTRIBUTED CONTROL SYSTEM (DCS) PANEL (E.G. SHOWN: DCS CONTROL PANEL #100)

PROGRAMMABLE LOGIC CONTROL (PLC) PANEL (E.G. SHOWN: PLC CONTROL PANEL #900)

MOTOR CONTROL CENTRE (MCC)

LOW SELECT

CURRENT/PRESSURE TRANSDUCER

ELECTRICAL LEAD

DATA LINK

EMERGENCY SHUTDOWN * SHUTDOWN LEVEL (1,2,3)

DIAPHRAGM, SPRING OPPOSED

DIAPHRAGM WITH POSITIONER

MANUAL HANDWHEEL OVERRIDE

CYLINDER, PISTON OPERATED

CHD TO DRAIN SYSTEM (E.G. SHOWN: CLOSED HYDROCARBON DRAIN)

OPEN DRAIN

25H HOT INSULATION (E.G. SHOWN: 25mm THICK)

25C COLD INSULATION (E.G. SHOWN: 25mm THICK)

ET, GT, ST ELECTRICAL (ET), HOT GLYCOL (GT), STEAM (ST) HEAT TRACING

25H HOT INSULATION (E.G. SHOWN: 25mm THICK HOT INSULATION WITH ELECTRIC HEAT TRACING)

SP FLEXIBLE JOINT

EXPANSION JOINT

SP CONICAL STRAINER OR TEMPORARY SUCTION STRAINER

SP SPECIALTY ITEM

SP SPECTACLE BLIND NORMALLY CLOSED

SP SPECTACLE BLIND NORMALLY OPEN

SP SPADE/SLIP BLIND

SP HOSE CONNECTION

T TIE-IN POINT

VENT TO ATMOSPHERE

VENT TO ATMOSPHERE c/w HYDRAULIC SEAL

INDICATES FLANGED VALVE (TYPICAL FOR ALL TYPES)

INDICATES BUTT-WELDED, SCREWED OR SOCKET-WELDED VALVE (TYPICAL FOR ALL TYPES)

BA = BALL VALVE

CH = CHECK VALVE

GA = GLOBE VALVE

GL = GLOBE VALVE

PL = PLUG VALVE

NE = NEEDLE VALVE

BU = BUTTERFLY VALVE

ST = "Y" TYPE LINE STRAINER

ST = "T" TYPE LINE STRAINER

SOLENOID 2-WAY VALVE

SOLENOID 3-WAY VALVE

SOLENOID 4-WAY VALVE

THREE WAY VALVE

FOUR WAY VALVE

ANGLE VALVE

STOP CHECK ANGLE VALVE OR CHOKE

CONCENTRIC REDUCER/INCREASER

ECCENTRIC REDUCER/INCREASER

SWAGE

VALVE c/w BLEED

BLEED RING

PULSATION DAMPER

PSV PRESSURE SAFETY VALVE

PRV PRESSURE REDUCING REGULATOR OR FORWARD PRESSURE REGULATOR

PRV BACK PRESSURE REGULATOR

dPRV DIFFERENTIAL PRESSURE REGULATOR

PRESSURE REDUCING REGULATOR WITH EXTERNAL PRESSURE CONNECTION

PNEUMATIC LINE

CAPILLARY TUBING

TUBING LINE

BLIND FLANGE

PIPE CAP

PIPE FLANGE

PIPE UNION, NPT

SPEC. BREAK

T OR V STEAM TRAP/VENT

RUPTURE DISC FOR PRESSURE RELIEF

RUPTURE DISC FOR VACUUM RELIEF

FE TURBINE METER

FE POSITIVE DISPLACEMENT METER

FE ANNUBAR OR PITOT TUBE

CALIBRATED METER RUN WITH QUICK CHANGE FITTING

FE FLOW ELEMENT (ORIFICE) c/w PLATE

RO RESTRICTION ORIFICE c/w PLATE

FQI FLOW QUANTITY INDICATOR

FG FLOW SIGHT GLASS MONITOR

FI FLOW INDICATOR (ROTOMETER TYPE)

STRAIGHTENING VANES

VENTURI TUBE

	A	AH	AHL	AL	C	CV	DR	DV	E	FIC	G	GM	I	IC	IS	IT	K	L	Q	R	RC	RR	S	SC	SD	SDH	SDL	SE	SH	SL	SLL	SM	SO	SV	T	V	W	Y			
A ANALYSIS		AAH	AHL	AAL	AC	ACV	ADR		AE				AI	AIC		AIT				AR	ARC	ARR	AS			ASDH	ASDL		ASH	ASL		ASM				AT			AY		
BJ BURNER FAILURE	BJA																						BJS		BJSD																CY
C CONDUCTIVITY		CAH	CHL	CAL	CC	CCV	CCR		CE				CI	CIC	CIS	CIT		CL		CR	CRC	CRR	CS			CSDH	CSDL		CSH	CSL		CSM					CT			DY	
D DENSITY		DAH	DAHL	DAL	DC	DCV	DDR		DE		DG		DI	DIC	DIS	DIT	DK	DL		DR	DRC	DRR	DS			DSDH	DSDL	DSE	DSH	DSL		DSM				DT			dPT	dPY	
dP DIFFERENTIAL PRESSURE	dPA	dPAH	dPAHL	dPAL	dPC	dPCV	dPR						dPI	dPIC	dPIS	dPIT		dPL		dPRC		dPS			dPSD	dPSDH	dPSDL	dPSE	dPSH	dPSL							ESDV		EY		
E EMERGENCY																																								FY	
F FLOW		FAH	FAHL	FAL	FC	FCV	FDR		FE	FFIC	FG		FI	FIC	FIS	FIT	FK	FL	FQ	FR	FRC	FRR	FS			FSDH	FSDL		FSH	FSL		FSM		FSV	FT						
G GAS DETECTION		GAH							GE																	GSDH			GSH									HV	HY		
H HAND (MANUAL)					HC	HCV								HRC									HS													JT			JY		
J POWER															JIC																									KY	
K TIME	KA				KC	KCV	KDR										KL	KQ					KS													KT			KV		
L LEVEL		LAH	LAHL	LAL	LC	LCV	LDR		LE		LG	LGM	LJ	LIC	LIS	LIT		LL		LR	LRC	LRR	LS		LSD			LSH	LSL	LSSL	LSM					LT			LY		
M MOISTURE		MAH	MAHL	MAL	MC	MCV	MDR		ME				MI	MIC	MIS	MIT		ML		MR	MRC	MRR	MS			MSDH	MSDL		MSH	MSL		MSM				MT			MY		
P PRESSURE		PAH	PAHL	PAL	PC	PCV	PDR		PE				PJ	PIC	PIS	PIT	PK	PL		PR	PRC	PRR	PS			PSDH	PSDL	PSE	PSH	PSL		PSM		PSV	PT				PY		
R REMOTE																																								RY	
S SPEED		SAH	SAHL	SAL	SC	SCV	SDR		SE				SI	SIC	SIS	SIT	SK	SL		SR	SRC	SRR	SS			SSDH	SSDL		SSH	SSL		SSM				ST			SY		
T TEMPERATURE		TAH	TAHL	TAL	TC	TCV	TDR		TE				TI	TIC	TIS	TIT	TK	TL		TR	TRC	TRR	TS			TSDH	TSDL	TSE	TSH	TSL		TSM				TT			TW	TY	
U UNIT	UA							UDV									UL								USD																
V VIBRATION		VAH			VC				VE				VI							VR			VS			VSDH			VSH								VT				
VI VISCOSITY		VIAH	VIAHL	VIAL	VIC	VICV	VIDR		VIE				VII	VIIC	VIIS	VIIT		VIL		VIR	VIRC	VIRR	VIS		VISD			VISH	VISL		VISM				VIT			VIY			
X FIRE DETECTION	XA								XE																			XSD												ZY	
Z LIMIT OR POSITION		ZAH	ZAHL	ZAL					ZE							ZIS	ZIT	ZL							ZSDH	ZSDL		ZSH	ZSL		ZSM	ZSO			ZT						

GENERAL NOTES 3 AS BUILT 2 SOLD TO REAL RESOURCES LTD 1 ISSUED FOR CONSTRUCTION		REVISION No.		BY DATE CKD ENG H. MENG 05/07/20 RDD RDD M. BEL 05/05/25 RDD RDD M. DING 04/11/25 RDD RDD		APPROVED MECH./STRUCT. DATE NOV. 25/04 ELECTRICAL CHECKED PROJECT R. TURSKI DATE NOV. 25/04 DATE NOV. 25/04 SCALE		DRAWN BY PSC DATE NOV. 25/04		REAL RESOURCES LTD. 440 East Lake Road, Postal Bag #2 Airdrie, Alberta Canada T4B 2C3	
GENERAL NOTES DATE: 2005/07/20 08:30 AM J:\09504\043530\20-DRAWINGS\FLW\MFS-043530-100-01.DWG hrmeng		REVISION No.		BY DATE CKD ENG H. MENG 05/07/20 RDD RDD M. BEL 05/05/25 RDD RDD M. DING 04/11/25 RDD RDD		APPROVED MECH./STRUCT. DATE NOV. 25/04 ELECTRICAL CHECKED PROJECT R. TURSKI DATE NOV. 25/04 DATE NOV. 25/04 SCALE		DRAWN BY PSC DATE NOV. 25/04		REAL RESOURCES LTD. 440 East Lake Road, Postal Bag #2 Airdrie, Alberta Canada T4B 2C3	

PROPAK
 440 East Lake Road,
 Postal Bag #2
 Airdrie, Alberta
 Canada T4B 2C3

DWG. No.: D-MFS-043530-100 SHT. 1 OF 4 REV. 3

THIS DRAWING AND THE PROPERTY OF PROPAC SYSTEMS LTD. AND SHALL NOT BE DISCLOSED TO OTHERS OR REPRODUCED IN ANY MANNER OR USED FOR ANY PURPOSE WHATSOEVER EXCEPT BY WRITTEN CONSENT OF PROPAC.

GENERAL SPECIFICATIONS

CLASS	TYPICAL SERVICE	TEMP. RANGE (°C)	PRESS. RATING (ANSI)
A	SWEET HYDROCARBON, PROPANE REFRIGERANT, FUEL GAS AND FLARE GAS	-28.8°C TO 260°C	150 # RF
B	SWEET HYDROCARBON, PROPANE REFRIGERANT, FUEL GAS AND FLARE GAS	-28.8°C TO 260°C	300 # RF
C	SWEET HYDROCARBON, PROPANE REFRIGERANT, FUEL GAS AND FLARE GAS	-28.8°C TO 260°C	600 # RF
H	COMPRESSED AIR AND UTILITY WATER	0°C TO 38°C	150 # RF
J	DRAIN SYSTEM PIPING	5°C TO 95°C	150 # RF
K	GLYCOL	1.21 MPa @ 177°C	150 # RF TO 1500 # RF
AS	SOUR HYDROCARBON, RICH AMINE AND SOUR WATER	-28.8°C TO 260°C	150 # RF
BS	SOUR HYDROCARBON, RICH AMINE AND SOUR WATER	-28.8°C TO 260°C	300 # RF
CS	SOUR HYDROCARBON, RICH AMINE AND SOUR WATER	-28.8°C TO 260°C	600 # RF
AL	SWEET HYDROCARBON, PROPANE REFRIGERANT	-45.5°C TO 66°C	150 # RF
BL	SWEET HYDROCARBON, PROPANE REFRIGERANT	-45.5°C TO 66°C	300 # RF
CL	SWEET HYDROCARBON, PROPANE REFRIGERANT	-45.5°C TO 66°C	600 # RF
AC	SWEET HYDROCARBON	-184°C TO 66°C	150 # RF
BC	SWEET HYDROCARBON	-184°C TO 66°C	300 # RF
CC	SWEET HYDROCARBON	-184°C TO 66°C	600 # RF

GENERAL NOTES (ABBREVIATIONS)

- AC - AIR CLOSURES
- AO - AIR OPENS
- AVT - AUTOVENT TRAP
- BD - BLOWDOWN
- BF - BLIND FLANGE
- CBD - CONTINUOUS BD
- CD - CLOSED DRAIN
- CO - CHAIN OPERATED
- CSC - CAR SEAL CLOSED
- CSO - CAR SEAL OPEN
- DC - DRAIN CONNECTION
- EBD - EMERGENCY BD
- ESD - EMERGENCY SHUTDOWN
- ET - ELECTRICAL HEAT TRACE
- FO - FAIL OPEN
- FC - FAIL CLOSED
- FP - FULL PORT
- GT - GLYCOL HEAT TRACE
- HH - HAND HOLE
- HC - HOSE CONNECTION
- L - LOW
- LC - LOCK CLOSED
- LO - LOCK OPEN
- ML - MANUAL LOADING
- MW - MANWAY
- NC - NORMALLY CLOSED
- NE - NORMALLY ENERGIZED UNDER OPER. COND.
- NO - NORMALLY OPEN
- ND - NORMALLY DE-ENERGIZED UNDER OPER. COND.
- PC - PISTON CHECK VALVE
- PO - PUMPOUT
- PP - PERSONNEL PROTECTION
- QO - QUICK OPENING
- SC - SAMPLE CONNECTION
- SO - STEAM OUT
- SP - SET POINT
- ST - STEAM HEAT TRACE
- UG - UNDERGROUND
- VB - VACUUM BREAKER
- VFD - VARIABLE FREQUENCY DRIVE
- WC - WATER COLUMN

COMMODITY (ABBREVIATIONS)

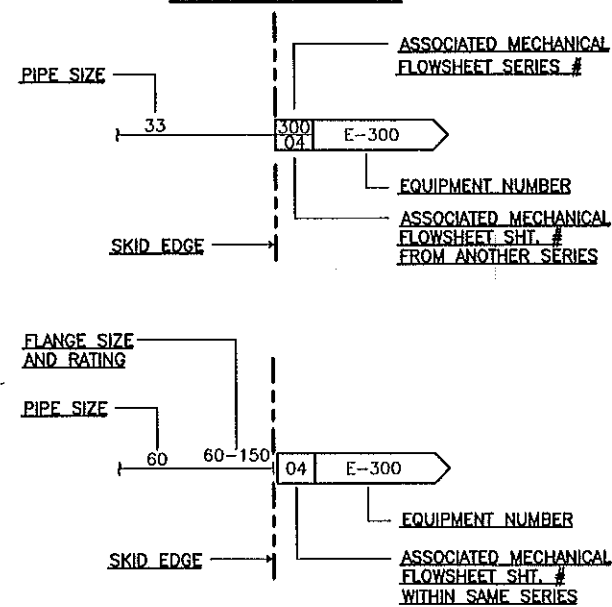
- AG - ACID GAS
- AGF - ACID GAS FLARE
- AMD - AMINE DRAIN
- AV - ATMOSPHERIC VENTS
- BD - BLOWDOWN
- C - CAUSTIC
- CCD - CLOSED CRYOGENIC DRAIN
- CHD - CLOSED HYDROCARBON DRAIN
- CSD - CLOSED SOUR DRAIN
- CV - CRYOGENIC VENT
- CWD - CLOSED WATER DRAIN
- DR - DRAIN (ATMOSPHERIC)
- EQL - EQUALIZING
- FG - FUEL GAS
- FL - FLARE
- FO - FUEL OIL
- FW - FIRE WATER
- GD - GLYCOL DRAIN
- GL - GLYCOL
- HC - HIGH PRESSURE STEAM CONDENSATE
- HCL - HYDROCARBON LIQUIDS
- HCV - HYDROCARBON VAPOUR
- HM - HEAT MEDIUM
- HPF - HIGH PRESSURE FLARE
- HS - HIGH PRESSURE STEAM
- I/A - INSTRUMENT AIR
- I/G - INSTRUMENT GAS
- IS - INSTRUMENT SUPPLY
- JW - JACKET WATER
- K - CHEMICALS
- LAM - LEAN AMINE
- LC - LOW PRESSURE STEAM CONDENSATE
- LO - LUBE OIL
- LOD - LUBE OIL DRAIN
- LPF - LOW PRESSURE FLARE
- LPG - LOW PRESSURE GAS
- LS - LOW PRESSURE STEAM
- MC - MEDIUM PRESSURE STEAM CONDENSATE
- MS - MEDIUM PRESSURE STEAM
- P - PROCESS GAS/LIQUID
- PDW - PRODUCED WATER
- POD - PACKING OIL DRAIN/VENT
- POW - POTABLE WATER
- PS - SOUR PROCESS GAS
- PSW - SOUR PROCESS WATER
- PW - PROCESS WATER
- RAM - RICH AMINE
- RLRV - REFRIG. LIQUID, REFRIG. VAPOUR
- ROD - REFRIG. OIL DRAIN
- SO - SEAL OIL
- SOD - SEAL OIL DRAIN
- UW - UTILITY WATER

TUBING SIZES

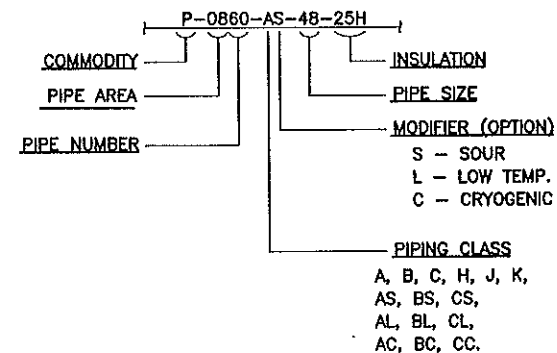
METRIC O.D. (mm)	IMP O.D. (INCH.)	IMP NPS (INCH.)	METRIC O.D. (mm)	METRIC DIN (mm)
3	1/8"	1/4"	14	8
6	1/4"	3/8"	17	10
9	3/8"	1/2"	21	15
13	1/2"	3/4"	27	20
19	3/4"	1"	33	25
25	1"	1-1/2"	48	40
		2"	60	50
		3"	89	80
		4"	114	100
		6"	168	150
		8"	219	200
		10"	273	250
		12"	324	300
		14"	356	350
		16"	406	400
		18"	457	450
		20"	508	500
		24"	610	600
		36"	914	900
		42"	1067	1050

NOTES:
NPS - NOMINAL PIPE SIZE

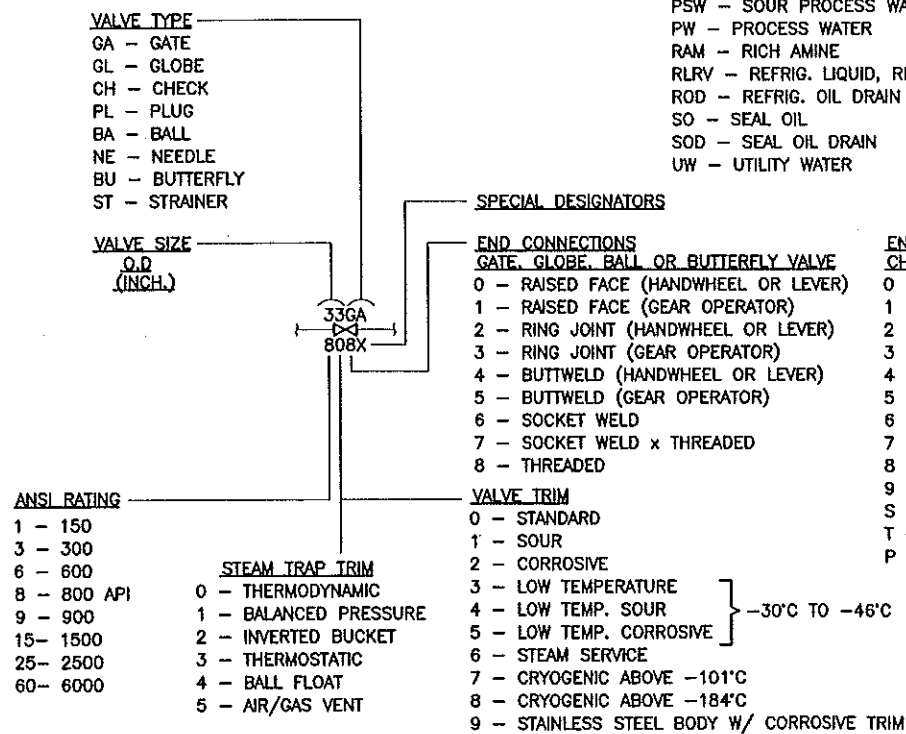
TYPICAL PIPE FLAGS



TYPICAL PIPE IDENTIFICATION



TYPICAL VALVE IDENTIFICATION

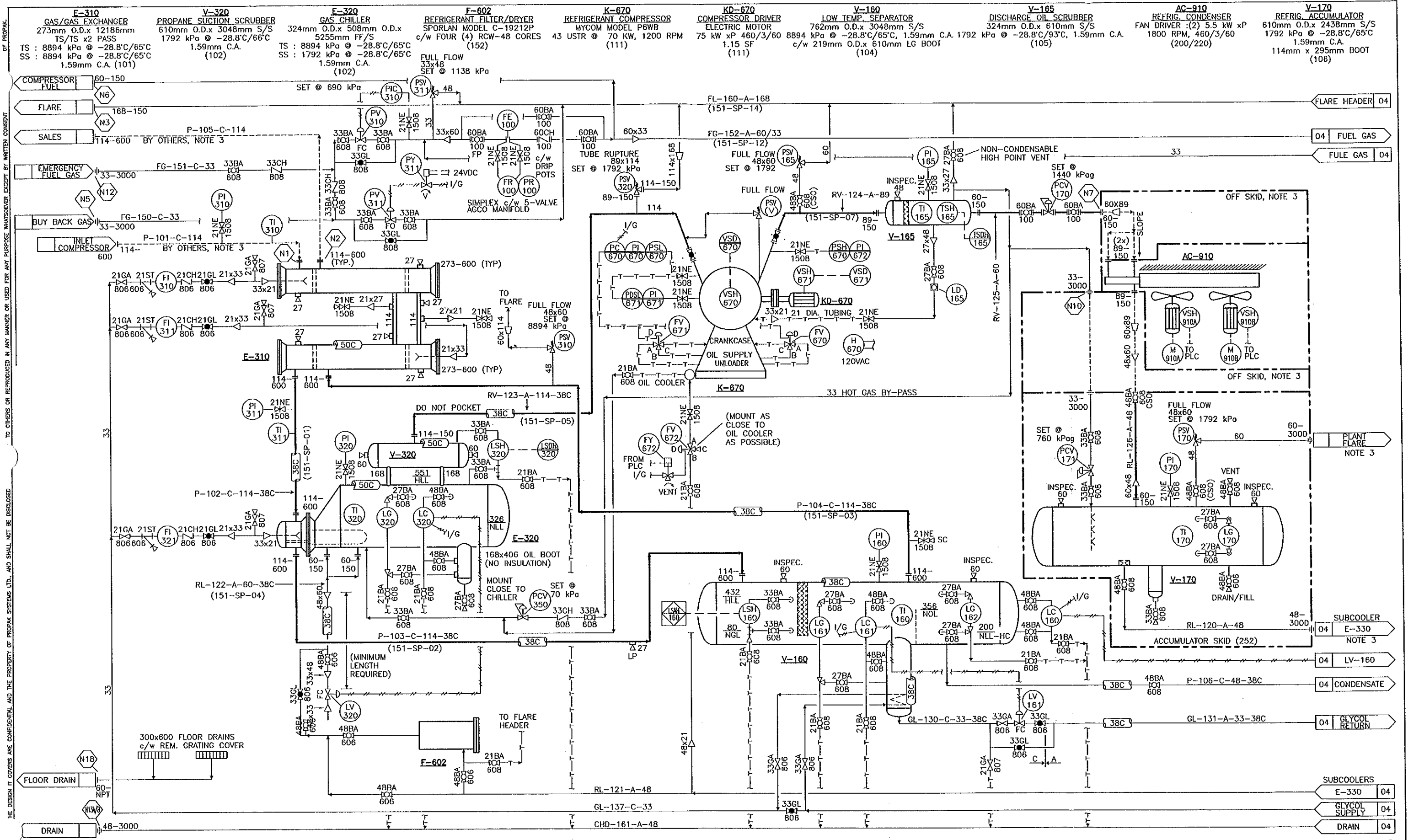


TYPICAL EQUIPMENT IDENTIFICATION

TAG No:	T-820
DESCRIPTION:	DEETHANIZER
MAKE AND MODEL:	...
DIMENSIONS:	...mm O.D. x ...mm S/S
DESIGN PRESSURE @ DESIGN TEMP., CORROS. ALLOWANCE:	... kPa @ ... °C, ...mm C.A.
GAS FLOW RATES:	... m3/d
LIQUID FLOW RATES:	... m3/h
DUTIES:	... kW
MOTOR POWER:	... kW @ V/φ/Hz
STRESS RELIEVING AND X-RAY:	S.R.: YES/NO, X-RAY: FULL/100%/SPOT

GENERAL NOTES		REVISION		APPROVED		DRAWN		REAL RESOURCES LTD.	
3	AS BUILT			H. MENG	05/07/20	RDD	RDD	REFRIGERATION UNIT - REF6B	
2	SOLD TO REAL RESOURCES LTD			M. BEL	05/05/25	RDD	RDD	LEGEND	
1	ISSUED FOR CONSTRUCTION			M. DING	04/11/25	RDD	RDD	MECHANICAL FLOWSHEET	
DATE: 2005/07/20 08:30 AM J:\JOBS04\043530\20-DRAWINGS\FLW\MFS--043530-100-02.DWG hmeng				NOV. 25/04		NOV. 25/04		DWG. No.: D-MFS-043530-100 SHT. 2 OF 4 REV. 3	

PROPAC
440 East Lake Road,
Postal Bag #2
Airdrie, Alberta
Canada T4B 2C3



GENERAL NOTES

- ALL INST. TUBING 304SS c/w CAD. PLATED FITTINGS.
- HOT INSULATION: ALUM. CLAD FIBERGLASS. COLD INSULATION: ALUM. CLAD FOAMGLASS.
- OFF SKID SPOOLS ARE NOT PROVIDED BY PROPAK, THIS INCLUDES INTERCONNECTING.

GENERAL NOTES

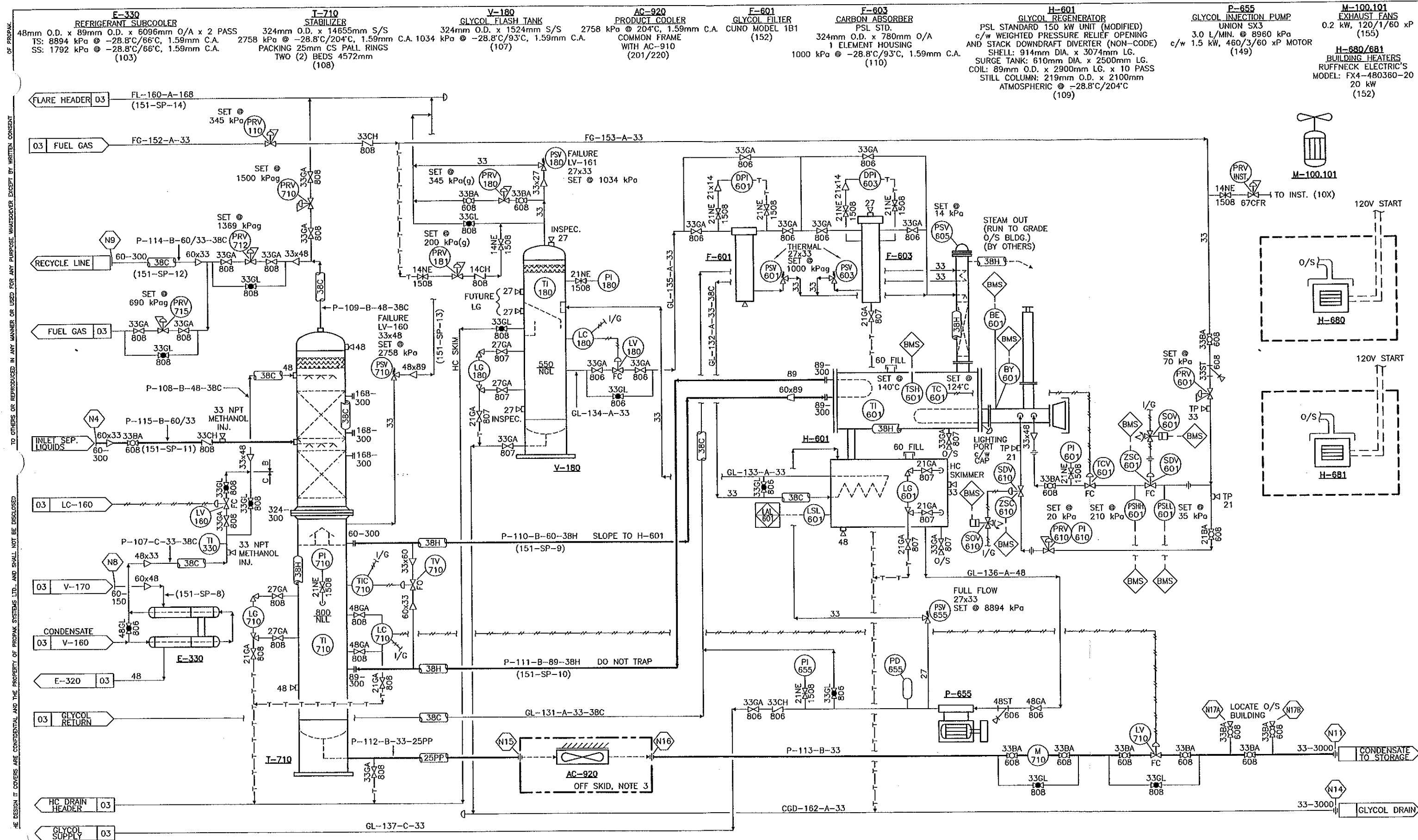
- CONTINUOUSLY VENTING INSTRUMENTS WILL BE TUBED OUTSIDE BUILDING WALL.
- INSTRUMENT PRV BONNETS WILL NOT BE TUBED OUTSIDE BUILDING WALL.
- CLIENT REVISIONS
- SOLD TO REAL RESOURCES LTD
- ISSUED FOR CONSTRUCTION

No.	REVISION	BY	DATE	CKD	ENG
1	AS BUILT	H. MENG	05/07/20	RDD	RDD
2	CLIENT REVISIONS	K. LU	05/06/06	RDD	RDD
3	SOLD TO REAL RESOURCES LTD	M. BEL	06/05/25	RDD	RDD
4	ISSUED FOR CONSTRUCTION	M. DING	04/11/25	RDD	RDD

APPROVED		DRAWN	
MECH./STRUCT.	BY	BY	PSC
DATE	DATE	DATE	NOV. 25/04
ELECTRICAL	BY	DATE	CHECKED
PROJECT	R. TURSKI	DATE	NOV. 25/04
DATE	NOV. 25/04	SCALE	

REAL RESOURCES LTD.
 REFRIGERATION UNIT - REF6B
 MYCOM 6B REFRIGERATION PLANT
 MECHANICAL FLOWSHEET

PROPAK
 440 East Lake Road,
 Postal Bag #2
 Airdrie, Alberta
 Canada T4B 2C3

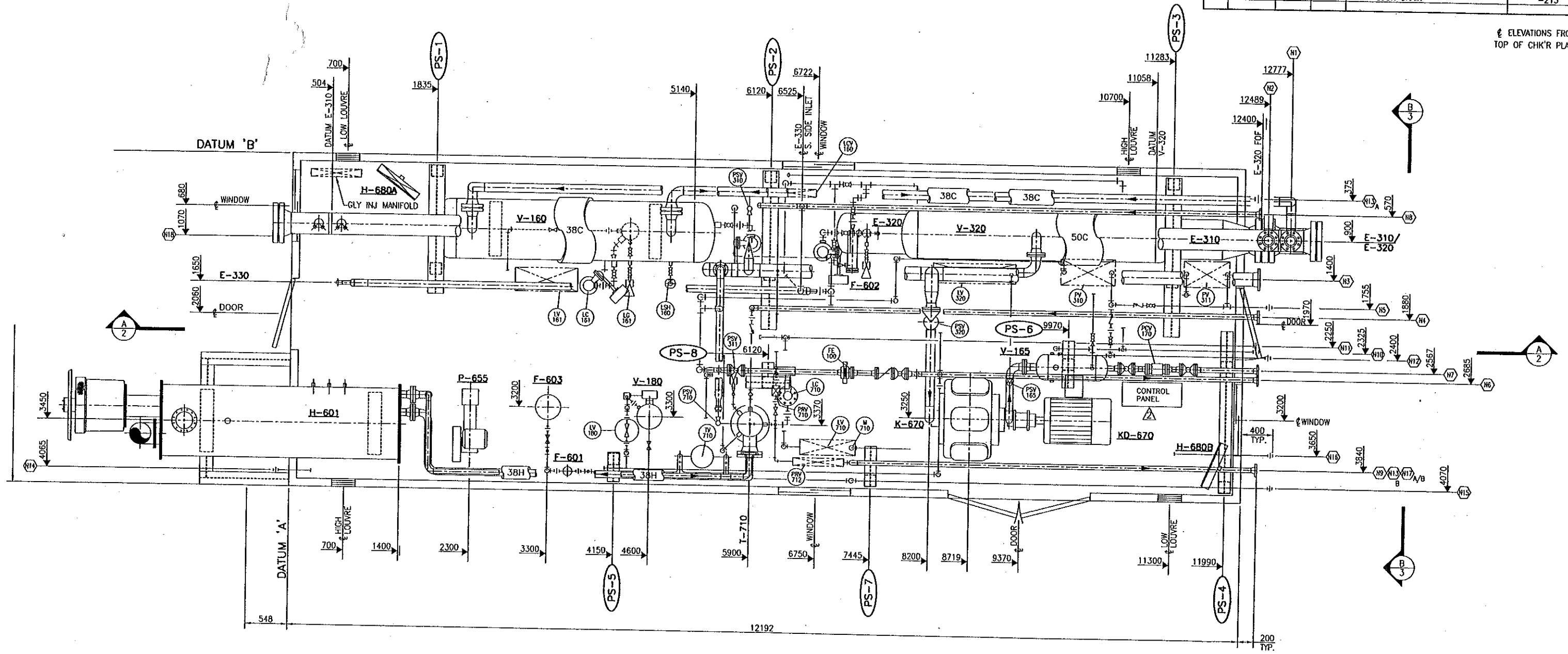


THIS DESIGN IS CONFIDENTIAL AND THE PROPERTY OF PROPAG SYSTEMS LTD. AND SHALL NOT BE DISCLOSED TO OTHERS OR REPRODUCED IN ANY MANNER OR USED FOR ANY PURPOSE WHATSOEVER EXCEPT BY WRITTEN CONSENT OF PROPAG.

GENERAL NOTES		GENERAL NOTES		REVISION		APPROVED		DRAWN		REAL RESOURCES LTD.	
1) ALL INST. TUBING 304SS c/w CAD PLATED FITTINGS.	PIPING BETWEEN PROCESS SKID & OFF SKID EQUIPMENT.									440 East Lake Road, Postal Bag #2 Airdrie, Alberta Canada T4B 2C3	
2) HOT INSULATION: ALUM. CLAD FIBERGLASS	4) CONTINUOUSLY VENTING INSTRUMENTS WILL BE TUBED OUTSIDE BUILDING WALL. INSTRUMENT PRV BONNETS WILL NOT BE TUBED OUTSIDE BUILDING WALL.	5	AS BUILT	H. MENG	05/07/20	ROD	ROD			REFRIGERATION UNIT - REF6B MYCOM 6B REFRIGERATION PLANT MECHANICAL FLOWSHEET	
3) OFF SKID SPOOLS ARE NOT PROVIDED BY PROPAG. THIS INCLUDES INTERCONNECTING BUILDING WALL.		4	GENERAL REVISIONS	H. MENG	05/07/05	ROD	ROD			NOV. 25/04	
		3	CLIENT REVISIONS	K. LU	05/06/06	ROD	ROD			NOV. 25/04	
		2	SOLD TO REAL RESOURCES LTD	M. BEL	05/05/25	ROD	ROD			NOV. 25/04	
		1	ISSUED FOR CONSTRUCTION	M. D.	04/11/25	ROD	ROD			NOV. 25/04	
DATE: 2005/07/20 08:32 AM J:\JOBS\04\043530\20-DRAWINGS\FLW\MFS-043530-100-04.DWG hmeng				No.		BY		DATE		Dwg. No.: D-MFS-043530-100 SHT. 4 OF 4 REV. 5	

NOZZLE SCHEDULE						
MK	SIZE	RATING	FACING	SERVICE	ELEVATION	
N1	114	600#	RFWN	FROM INLET COMPRESSOR	F.O.F. 3916	
N2	114	600#	RFWN	GAS OUTLET	F.O.F. 3916	
N3	168	150#	RFWN	FLARE	2634	
N4	60	300#	RFWN	INLET SEPARATOR LIQUIDS	2580	
N5	33	3000#	UNION	SALES GAS TO PV-311	2567	
N6	60	150#	RFWN	COMPRESSOR FUEL	2580	
N7	60	150#	RFWN	REFRIGERANT VAPOR TO AC-910	3030	
N8	60	150#	RFWN	LIQ. REFRIGERANT FROM ACCUMULATOR	2580	
N9	60	300#	RFWN	RECYCLE	2680	
N10	33	3000#	UNION	HOT GAS TO ACCUMULATOR	3017	
N11	33	3000#	UNION	CONDENSATE TO STORAGE	2567	
N12	33	3000#	UNION	EMERGENCY FUEL GAS	2567	
N13	48	3000#	UNION	HYDROCARBON DRAIN	150	
N14	33	3000#	UNION	GLYCOL DRAIN	150	
N15	33	3000#	UNION	TO AC-920	2674	
N16	33	3000#	UNION	FROM AC-920	2567	
N17	33	3000#	UNION	METER PROVERS	A:950 / B:1200	
N18	60		NPT	SKID FLOOR DRAIN	-215	

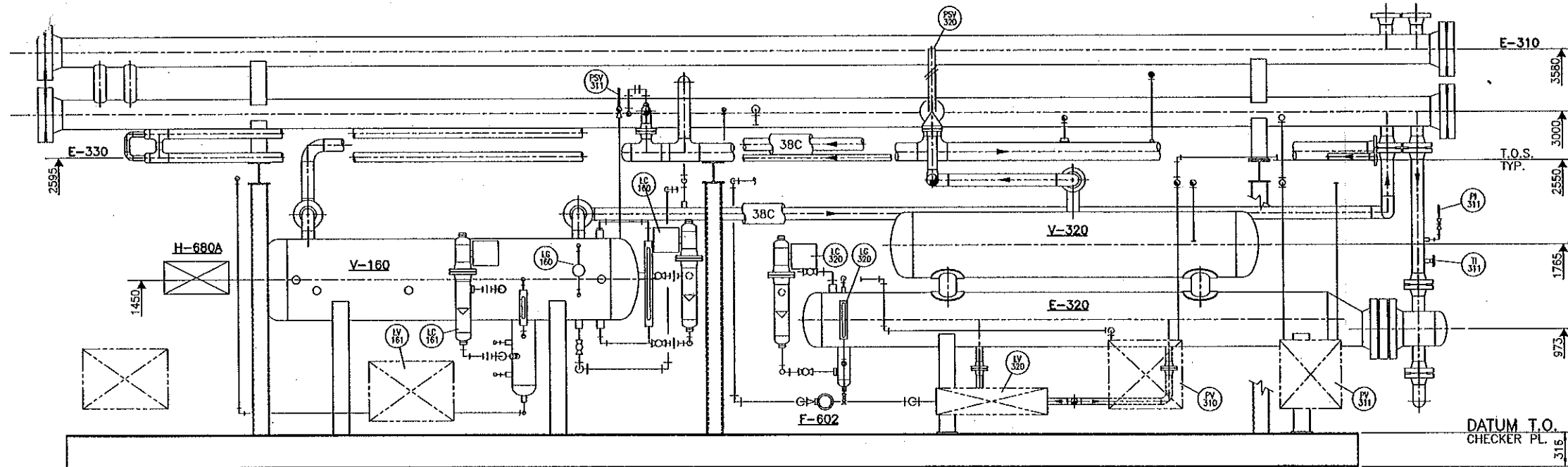
ELEVATIONS FROM TOP OF CHK'R PLATE



THE DESIGN IT COVERS ARE CONFIDENTIAL AND THE PROPERTY OF PROPAK SYSTEMS LTD., AND SHALL NOT BE DISSEMINATED

GENERAL NOTES		GENERAL NOTES		APPROVED		DRAWN		PROPAG	
DATE: 2005/06/23 08:19 AM	J:\JOBS04\043530\20-DRAWINGS\FAB\ASY\ASY-043530-152.DWG	2	REVISED CONTROL PANEL LOCATION	JS	05/06/23	JLS	04/09/15	STOCK REFRIGERATION UNIT - REF6B	
		1	ISSUED FOR CONSTRUCTION	M.DIETER	04/11/26	D.L.	04/09/15	REFRIGERATION SKID	
		No.	REVISION	BY	DATE	CKD	ENG	PIPING LAYOUT	
				DATE		SCALE		DWG No.: D-ASY-043530-152	
				DATE		SCALE		SHT 1 OF 3	
				DATE		SCALE		REV. 2	

PROPAG
440 East Lake Road,
Postal Bag #2
Airdrie, Alberta
Canada T4B 2C3



DATE: 2004/11/26 08:04 AM		J:\JOB504\043530\20-DRAWINGS\FAB\ASY\ASY-043530-152.DWG hsun		No.		REVISION		BY DATE CKD ENG		APPROVED		DRAWN		PROPAK		440 East Lake Road, Postal Bag #2, Airdrie, Alberta, Canada T4B 2C3	
GENERAL NOTES		GENERAL NOTES		1		ISSUED FOR CONSTRUCTION		M.DIETER 04/11/26		PSC		BY DATE		STOCK REFRIGERATION UNIT - REF6B		REV. 1	
										DATE		04/09/15		REFRIGERATION SKID		DWC No.: D-ASY-043530-152	
										PROJECT		RT		PIPING LAYOUT		SHT 2 OF 3	
										DATE		04/09/15					
										SCALE		1:25					

