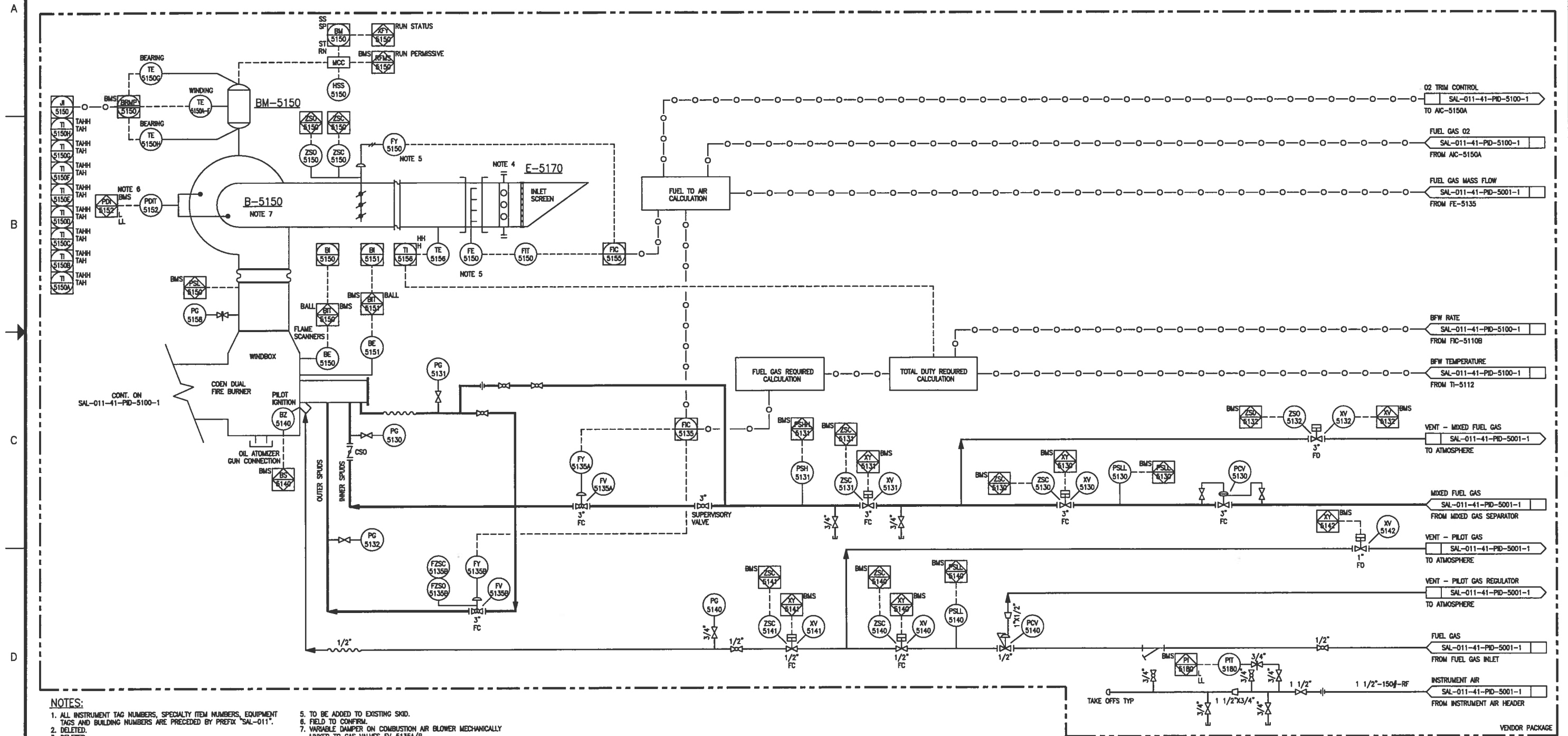


**BM-5150**  
COMBUSTION AIR BLOWER MOTOR  
MAKE: MARATHON  
POWER: 29.84 kW (40 HP)  
575 V / 3 PH / 60 HZ / 3600 RPM

**B-5150**  
COMBUSTION AIR BLOWER  
TYPE: CENTRIFUGAL  
MODEL: CHICAGO 3300  
DIFF: 3 kPa @P

**E-5170**  
COMBUSTION AIR HEATER  
DUTY: 292 kW  
SURFACE AREA: 1223 m<sup>2</sup> (TOTAL)  
TYPE: AIR COOLED  
SIZE: 1.9 X 3.04  
TUBE DESIGN: 1400 MPaG/FV kPa (EXT.) @ 180°C/-20°C  
INSULATION: NONE



- NOTES:**
1. ALL INSTRUMENT TAG NUMBERS, SPECIALTY ITEM NUMBERS, EQUIPMENT TAGS AND BUILDING NUMBERS ARE PRECEDED BY PREFIX "SAL-011".
  2. DELETED.
  3. DELETED.
  4. GLYCOL COIL TO BE CAPPED OFF IN THE FIELD.
  5. TO BE ADDED TO EXISTING SKID.
  6. FIELD TO CONFIRM.
  7. VARIABLE DAMPER ON COMBUSTION AIR BLOWER MECHANICALLY LINKED TO GAS VALVES FV-5135A/B.

DRAWING NO.	REFERENCE DRAWINGS	HOCS PROJECTS #1461	REV.	DESCRIPTION	BY	DATE	CHK	APP.	PE	DRAWN:	DATE	DESIGNED:	DATE	CHECKED:	DATE	APPROVED:	DATE	PE:	DATE	SCALE	JOB NO.	DRAWING NO.	REV.
			5	AS BUILT PER CLIENT MARK-UPS (HOCS #1481)	MC	12-SEP-14	BB	MM	KC	J. CHU	09/06/22	L. TURNO	09/12/21	L. RATANA-RUEANGSRI	09/12/21	L. TURNO	09/12/21	M. CROFT	09/12/21	N.T.S.	1461	SAL-011-41-PID-5100-3	5
			4	AS-BUILT - GENERAL REVISIONS (ALDRAFT-LARC-793)	JRM	12/06/07	BB	MM	KC														
			3	AS-BUILT - GENERAL REVISION (ALDRAFT LARC-793)	JRM	12/06/07	BB	MM	KC														
			2	AS-BUILT	JCHU	11/07/13	IP	IP	MC														
			1	RE-ISSUED FOR CONSTRUCTION	RP	10/04/30	LRR	IP	MC														
			0	ISSUED FOR CONSTRUCTION	RP	09/12/21	LRR	IT	MC														

LARICINA

HOCS PROJECTS

**TITLE**  
SW SECTION 26-85-19 W4M  
SALESKI SC SAGD PILOT PROJECT  
HP STEAM GENERATOR - H-5100  
PIPING AND INSTRUMENTATION DIAGRAM

SCALE APPLIES IF PLOTTED ON SIZE "D" (22"x34")