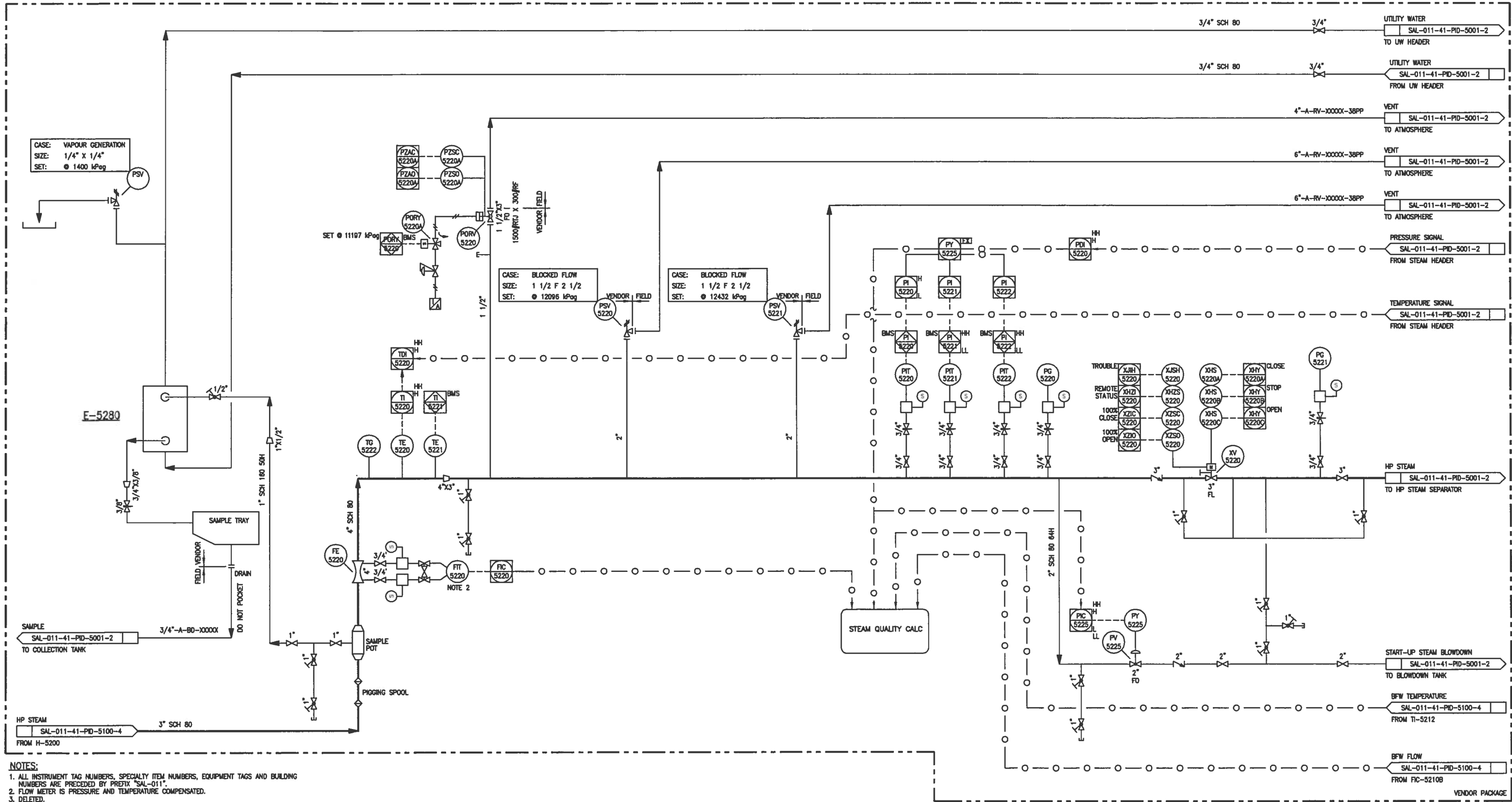


E-5280  
HP STEAM SAMPLE COOLER  
MODEL:

A  
B  
C  
D

1 2 3 4 5 6 7 8



NOTES:  
1. ALL INSTRUMENT TAG NUMBERS, SPECIALTY ITEM NUMBERS, EQUIPMENT TAGS AND BUILDING NUMBERS ARE PRECEDED BY PREFIX "SAL-011".  
2. FLOW METER IS PRESSURE AND TEMPERATURE COMPENSATED.  
3. DELETED.

DRAWING NO.	REFERENCE DRAWINGS	PROJEX 06210	REV. A	ISSUED FOR REVIEW (PROJEX 06210)	11/08/10	CHK	APP.	PE	DRAWN: -	DATE -	  TITLE LRR SALESKI SC SAGD PILOT PROJECT HP STEAM GENERATOR - H-5200 PIPING AND INSTRUMENTATION DIAGRAM	SCALE N.T.S.	JOB NO. 06210	DRAWING NO. SAL-011-41-PID-5100-5	REV. A
									DESIGNED: -	DATE -					
									CHECKED: -	DATE -					
									APPROVED: -	DATE -					
									PE: -	DATE -					

SCALE APPLIES IF PLOTTED ON SIZE "D" (22"X34")