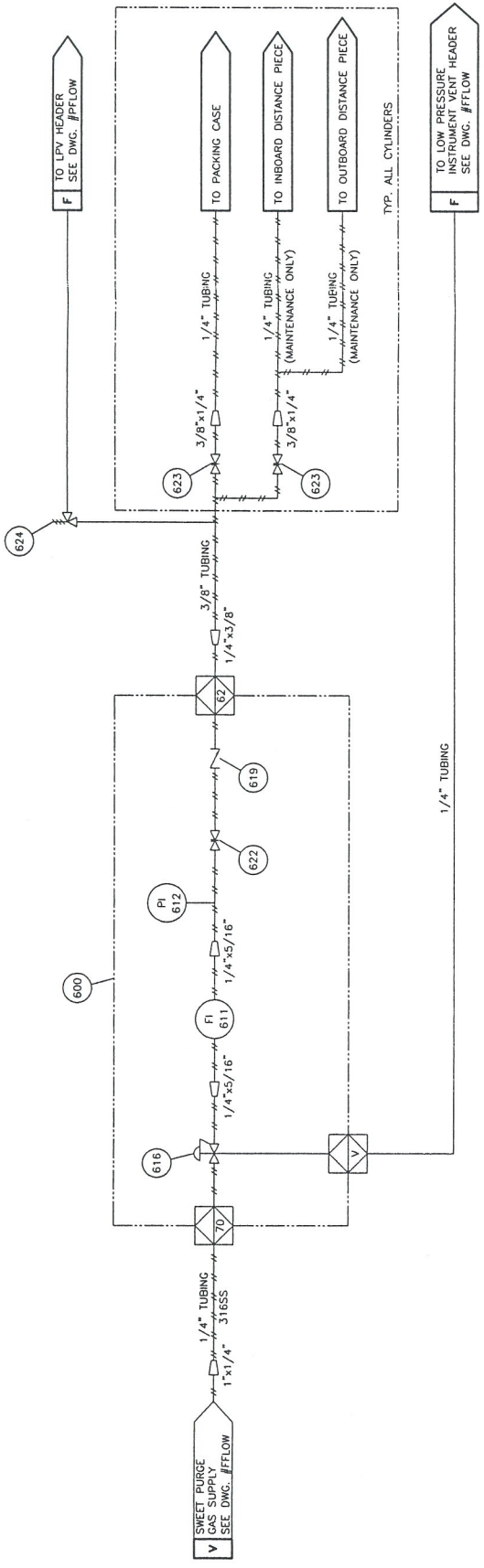


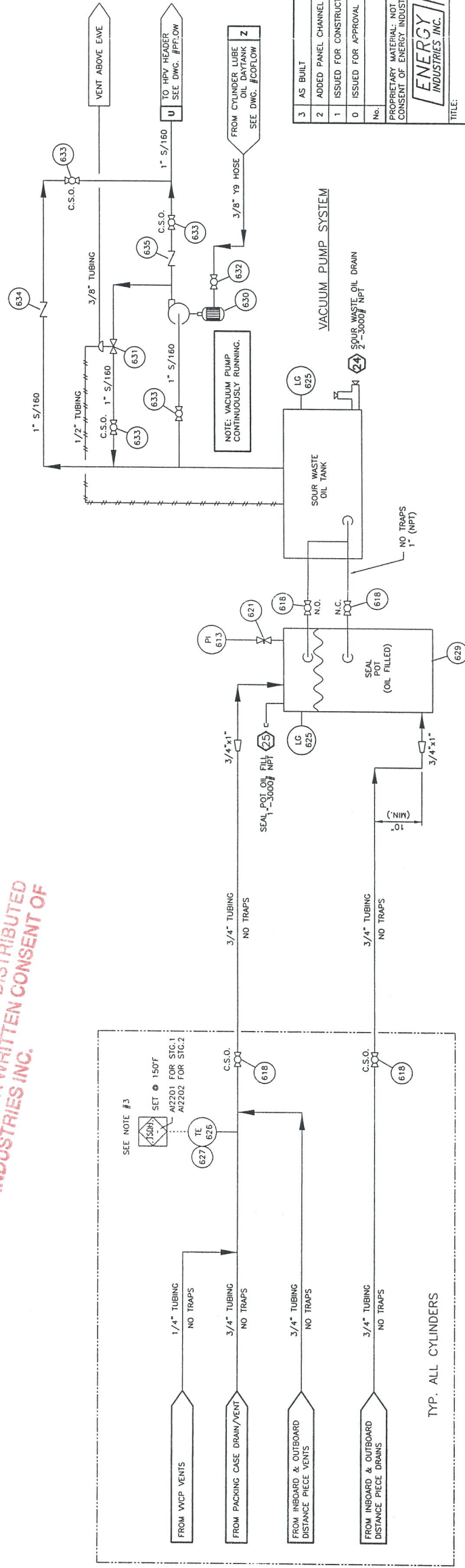
No.	PART No.	DESCRIPTION	QUANTITY
600	BBE888	ALL FRAMES	1
611	MMA-6	PRE-LOAD PANEL, FORMED PLATE, 12GA, DWG. #PRELOADPANEL	1
612	NPN	FLOW METER, DWTR, MMA-6, 2-20 SCFH, 5/16" CONN.	1
613	NPN	GAUGE, PRESSURE, WKA, 2 1/2" FACE, 0-60 PSIG, 1/4" BM, LIQUID FILLED, DUAL SCALE	1
614	-	GAUGE, PRESSURE, WKA, 4 1/2" FACE, -30HG-15 PSIG (-100 KPA-100 KPA), 1/4" BM, LIQUID FILLED, DUAL SCALE, NACE	1
615	-	-	-
616	15F040	REGULATOR, FISHER 67, 0-35 PSIG, c/w HANDWHEEL, SINGLE HOLE PANEL MOUNTED	1
617	-	-	-
618	R10S305	VALVE, BALL, NUTRON, R10S305, 1" FNPT, 3000 PSIG @ 150F, NACE MR01-75	6
619	SS-CHS4-1/3	VALVE, CHECK, NUPRO, 1/4" TUBE, 316SS, SS-CHS4-1/3	1
620	-	-	-
621	8BAG075S	VALVE, NEEDLE, CENTURY, 1/4"-6000#, MF, 180', 316SS	1
622	SS-1VS4	VALVE, NEEDLE, WHITEY, 1/4" TUBE, 316SS	1
623	SS-1VS6	VALVE, NEEDLE, WHITEY, 3/8"-6000#, MF, 180', 316SS	4
624	15F038	VALVE, PRESSURE RELIEF, FISHER 1805, 1" NPT, 20-125# SPRING	1
625	NPN	GLASS, SIGHT, LUBE DEVICE, PT# LSP51-09, 2" NPT	2
626	NPN	THERMOCOUPLE, K TYPE, ATS ALLTEMP, 0.25" TUBE x 0.5" MNPT, 6" PROBE, 0.25" OD, 40 FT ARMOURD LEADS	2
627	8BA718	THERMOWELL, 0.5" FNPT x 0.75" MNPT, 2.5" DEPTH, 0.28" BORE, 316 SS	2
628	-	-	-
629	NPN	SEAL POT, FAB BY E.J.I. 6" x 6" HSS x 14" S/S (SEE DWG# 6X6SP, REV.3)	1

VACUUM PUMP			
630	LG12-460/3/60	PUMP VACUUM, UTILE, LG12, SINGLE ACTING/RECIPROCATING, 0.5" FNPT, c/w 1.0 HP, 1200 RPM, 460/3/60, XP, CLASS 1, DIV. 1, GROUPS C & D (MIXED BY OTHERS)	1
631	Y690VB-1/20RIF	REGULATOR, FISHER, 690, MODE: Y690VB-12/P/SPEC, 1" FNPT, 1/2" ORIFICE, REMOTE SENSING PORT, SET @ 2" WATER VACUUM, NACE	1
632	R05S305	VALVE, BALL, NUTRON, R05S305, 5" FNPT, 3000 PSIG @ 150F, NACE MR01-75	1
633	R10S305	VALVE, BALL, NUTRON, R10S305, 1" FNPT, 3000 PSIG @ 150F, NACE MR01-75	4
634	8BA306	VALVE, CHECK, SWING, WHEATLEY, 1.0" FNPT, 275 WAMP, ASTM A216 WCC OR LCC, NACE MR01-75	1
635	NPN	VALVE, CHECK, RESTRICTOR, 5 PSIG CRACKING PRESSURE, 1" FNPT, NACE	1



SWEET PURGE GAS SYSTEM

**PROPRIETARY INFORMATION**  
 NOT TO BE REPRODUCED OR DISTRIBUTED  
 WITHOUT THE PRIOR WRITTEN CONSENT OF  
 ENERGY INDUSTRIES INC.



- NOTES:
- FOR ALL OTHER NOTES & GENERAL INFORMATION SEE DWG. #PFLOW.
  - ALL TUBING IS 316SS c/w 316SS 'SS' TYPE FITTINGS.
  - MOUNT PACKING HIGH TEMPERATURE SHUT DOWN AS CLOSE TO CYLINDER AS POSSIBLE.

REVISION		DATE	BY	UNIT	W.O. #	DRAWING NO.
3	AS BUILT	03/04/04	CD			1105-SGFLOW
2	ADDED PANEL CHANNEL NUMBERS	12/18/03	CD			
1	ISSUED FOR CONSTRUCTION	12/08/03	CD			
0	ISSUED FOR APPROVAL	11/25/03	CD			

PROPRIETARY MATERIAL: NOT TO BE REPRODUCED OR DISTRIBUTED WITHOUT THE PRIOR WRITTEN CONSENT OF ENERGY INDUSTRIES INC.

**ENERGY INDUSTRIES INC.** 4303 - 117TH STREET N.E. CALGARY ALBERTA CANADA

CUSTOMER: DELON CANADA CORPORATION  
 BRANCH: CALGARY  
 LSR: b-25-1/94-0-7

SCALE: NONE DATE: 11/25/03 BY: CD DATE RELEASED: 3/04/04 RELEASED BY: [Signature]  
 STEP # 560 W.O. # UNIT # 1105 DRAWING NO.: 1105-SGFLOW REV.3