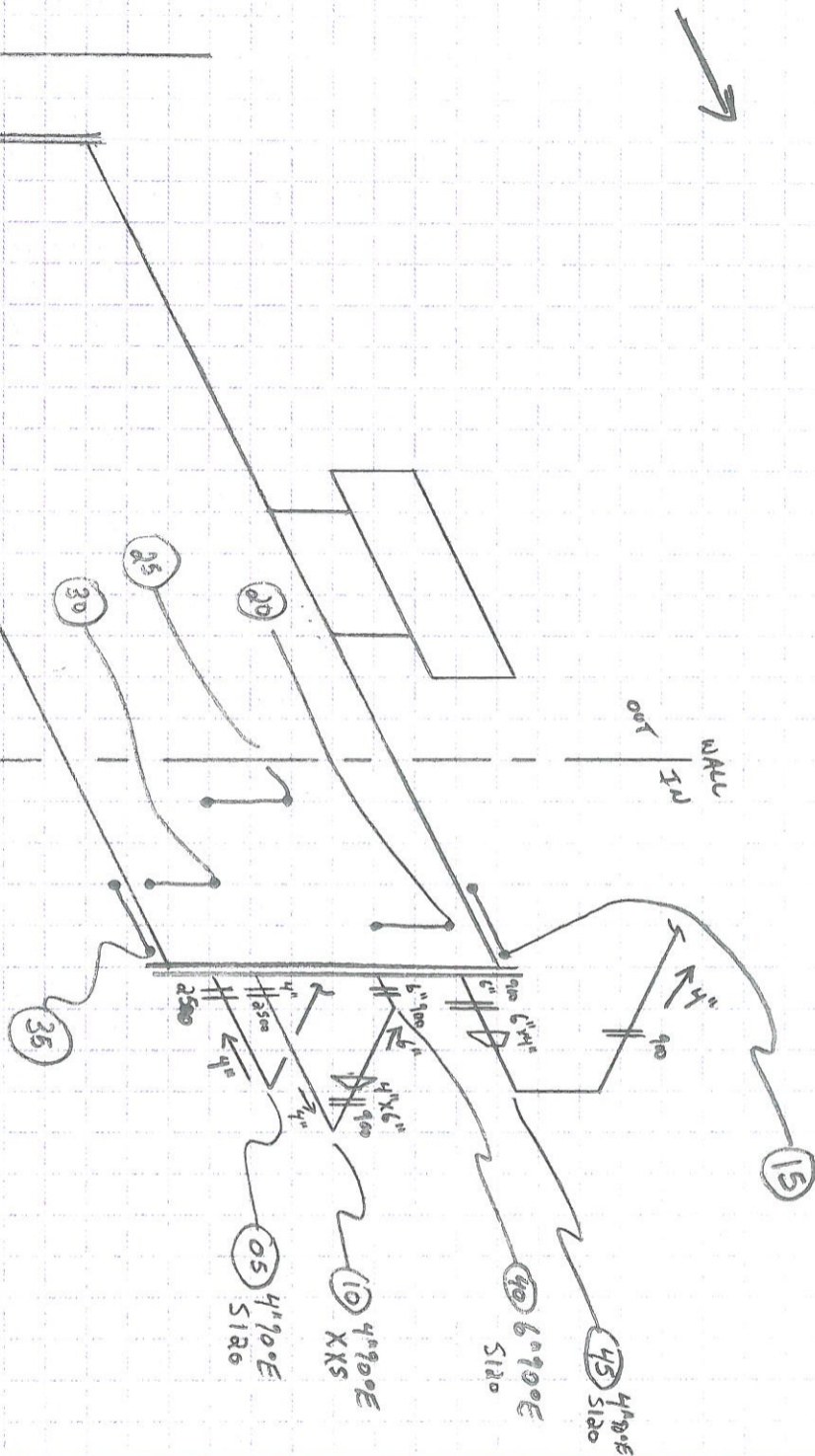




INSULATED OUTSIDE BLDG.



THK	Description	M O B	DIR
0.5	H0410E	4"	E-S
1.0	H0410E	4"	N-W
1.5	NNTS	6"	N-S
2.0	VTSBS	5"	T-B
2.5	VUSBS	E0B	T-B
3.0	VNBS	8"	T-B
3.5	HNBS	E0B	N-S
4.0	NO61E	10"	W-S
4.5	V040E	3"	R-T



**CUSTOMER:** CNRL **FACILITY:** \_\_\_\_\_ **LSID:** 07-17-05a-23W5M

**P & ID:** \_\_\_\_\_ **DRAWN BY:** JD **DATE:** JAN/10/11 **DRAWING NO.:** 150170-CA-01

**VESSEL DESCRIPTION:** Line Heater Process-oils **E9867.213**

**Equip. No.:** \_\_\_\_\_ **Pro.Reg.No (A):** 0458976 **C.R.N.:** E9868.213 **Serial No.:** 6569-50 **Yr. Inst.:** \_\_\_\_\_

**Code/Div.:** \_\_\_\_\_ **Size:** 96" **OD x 25'** **Manufacturer:** Presson **Yr. Blt.:** 2000

**C. Stamp:** \_\_\_\_\_ **Service:** \_\_\_\_\_ **PWHT:** Yes **J.E.:** \_\_\_\_\_ **Radiography:** 100 **Insulated:** \_\_\_\_\_

**Top Mat'l:** SA 106B **Top Nom:** 0.673" **Top C.A.:** 1.6mm **Material:** \_\_\_\_\_ **Nominal:** \_\_\_\_\_ **C.A.:** \_\_\_\_\_

**Btm Mat'l:** \_\_\_\_\_ **Btm Nom.:** 0.539" **Btm C.A.:** 3.2mm **MDMT:** \_\_\_\_\_ **@Temp:** \_\_\_\_\_

**BOOT:** \_\_\_\_\_ **Head Nom:** \_\_\_\_\_ **Head C.A.:** \_\_\_\_\_ **Top Mat'l:** \_\_\_\_\_ **Top Nom.:** \_\_\_\_\_ **Top C.A.:** \_\_\_\_\_

**Shell Mat'l:** \_\_\_\_\_ **Shell Nom.:** \_\_\_\_\_ **Shell C.A.:** \_\_\_\_\_ **Btm Mat'l:** \_\_\_\_\_ **Btm Nom.:** \_\_\_\_\_ **Btm C.A.:** \_\_\_\_\_

**MAWP Shell side:** \_\_\_\_\_ **@ Temp.:** \_\_\_\_\_ **MAWP Tube Side:** \_\_\_\_\_ **@ Temp.:** \_\_\_\_\_

**PIPING INFORMATION:**

**Circuit. No.:** \_\_\_\_\_ **Line No. (s) (PLEASE PUT LINE NUMBERS ON APPLICABLE LINES ON THE DRAWING):** \_\_\_\_\_

**Piping Class:** \_\_\_\_\_ **Service:** \_\_\_\_\_ **Yr. Blt.:** \_\_\_\_\_

**MAWP:** \_\_\_\_\_ **@ Temp.:** \_\_\_\_\_ **Size & Schedule of Piping (PLEASE PUT APPROPRIATE SIZES AND SCHEDULES OF PIPING ON DRAWING):** \_\_\_\_\_

N1 - Preheat  
N2 - Reheat

(Second NAME PLATE ON BACK)

A0458976 UT Readings  
Readings in inches

	PNT1	PNT2	PNT3
LOC5	0.412	0.456	0.433
LOC10	0.719	0.749	0.732
LOC15	0.39	0.397	0.393
LOC20	0.393	0.398	0.396
LOC25	0.388	0.398	0.394
LOC30	0.386	0.396	0.392
LOC35	0.385	0.393	0.388
LOC40	0.607	0.665	0.635
LOC45	0.494	0.521	0.511