

A0492260 - SEPARATOR INSPECTION - JUN 2003

1060-04

Canadian Natural Resources Limited
Production - Facilities Engineering
A0492260 Separator External Inspection Report

Content Date Range: 6/24/2003 to 6/24/2003

Vessel Integrity

Inspection Data

Open: 4/23/2007 Close:

CC+2 0P P



00784766

Vital: Yes
Original: Yes
Confidential: No

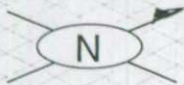
Vessel Location (LSD):	100115-28-75-07 W6H.	Disc #:	Photo #:
Facility Name:	SADDLE HILLS.	Inspector:	J. OLIVER.
Vessel Description:	SCAVENGER SEPARATOR.	Date:	JUNE 24/03
Prov. Reg. Number:	A 492260	CRN:	R 2222.2
		Page:	1 of 2.

GENERAL INFORMATION							
Manufacturer:				Serial Number: 3202-2.			
RT:	HT: YES <input type="checkbox"/> NO <input type="checkbox"/>	Internally Coated: YES <input type="checkbox"/> NO <input type="checkbox"/> NOT KNOWN <input type="checkbox"/>	Insulated: YES <input type="checkbox"/> NO <input type="checkbox"/> PARTIAL <input type="checkbox"/>				
Sh. Side MAWP:		Psi / Kpa @	F / C	Tube Side MAWP:		Psi / Kpa @	F / C
Sh. Side Op. Pr:		Psi / Kpa @	F / C	Tube Side Op. Pr:		Psi / Kpa @	F / C
Hd. Tk:	Mat'l:	C.A.:	Chan. Hd. Tk:	Mat'l:	C.A.:		
Hd. Tk:	Mat'l:	C.A.:	Chan Sh. Tk:	Mat'l:	C.A.:		
Sh. Tk:	Mat'l:	C.A.:	Trans. Tk:	Mat'l:	C.A.:		
Sh. Tk:	Mat'l:	C.A.:					
VESSEL SIZE: (ID / OD X L):			Strapped: YES <input type="checkbox"/> NO <input type="checkbox"/>	Manway: YES <input type="checkbox"/> NO <input type="checkbox"/> SIZE:			

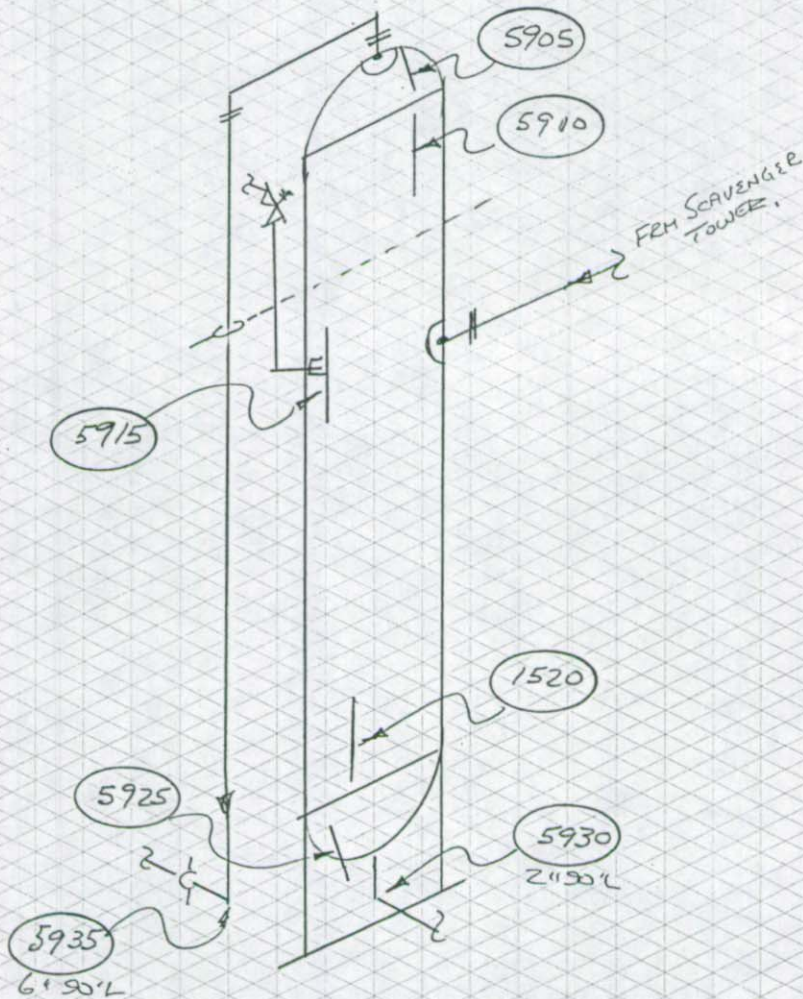
SERVICE CONDITIONS (CHECK ALL THAT APPLY)		OPERATING <input type="checkbox"/> SHUT IN <input type="checkbox"/> SURPLUS <input checked="" type="checkbox"/> JUNK <input type="checkbox"/>	
PROCESS	Air <input type="checkbox"/> Lean Amine <input type="checkbox"/> Rich Amine <input type="checkbox"/> Sweet Glycol <input type="checkbox"/> Sweet Gas <input type="checkbox"/> Sweet Condensate <input type="checkbox"/> Sweet Oil <input type="checkbox"/>		
LPG <input type="checkbox"/> Sour Glycol <input type="checkbox"/> Sour Gas <input checked="" type="checkbox"/> Sour Condensate <input type="checkbox"/> Sour Oil <input type="checkbox"/> Carbon Dioxide <input type="checkbox"/> Nitrogen <input type="checkbox"/> Steam <input type="checkbox"/>			

VESSEL EXTERNAL CONDITION	
Any Recent Repairs? Yes <input type="checkbox"/> No <input checked="" type="checkbox"/>	
Any Physical Damage? Yes <input type="checkbox"/> No <input checked="" type="checkbox"/>	
Any External Corrosion? (other than minor surface rust) Yes <input type="checkbox"/> No <input checked="" type="checkbox"/>	
Any leaks on the vessel, nozzles or piping? Yes <input type="checkbox"/> No <input checked="" type="checkbox"/>	
Any recent ultrasonic thickness tests? Yes <input checked="" type="checkbox"/> No <input type="checkbox"/>	JUNE 24/03.
No. of times the site is visited & approx. amount of time spent at the site / visit:	Concentration H ₂ S:
Vessel Comments:	

PSV DATA			
ANADARKO TAG #:	No TAG.	SERVICE COMPANY:	
Manufacture:	Size:	Comments:	
Model #:	CRN #:		
Serial #:	Capacity:		
Set Date:	Set Pressure:		
Are there any Isolating valves on either the inlet or outlet of the PSV? Yes <input type="checkbox"/> No <input type="checkbox"/>			



P&ID. # _____
REF. # _____



VESSEL DATA

Prov. Reg. No. A492260 C.R.N. R2222,2 P.E. No. _____ Serial No. 3202-2
MFR. Mass Code/Div. _____ Para _____ Code Stamp U
Yr. Bilt. 03 Yr. Inst. _____ Size _____ Vol. _____ Service _____ PWHT N/S.

Nominal Thickness & Material

Head: _____ Mat'l: _____ C.A.: _____
Head: _____
Shell: _____ C.A.: _____
Shell: _____
Chan Hd: _____ C.A.: _____
Chan Sh: _____
Gas Boot Hd: _____ C.A.: _____
Gas Boot Sh.: _____
Liq. Boot Hd.: _____ C.A.: _____
Liq. Boot Sh.: _____

Insulated No. R.T. 1

Repairs _____
COMMENTS _____

MAWP Shell Side 1415 PSI @ Temp. -20/150°F
MAWP Tube Side _____ @ Temp. _____

ANADARKO CANADA CORPORATION,
SADDLE HILLS GAS GATHERING,
SADDLE HILLS
LSD: 100/15-28-75-07W6M.
SCAVENGER SEPARATOR.

TECH.:	REV. DATE:	DWG DATE: <u>59.</u>
CAD:	REVISION:	DRAWING:

Vessel Location (LSD):	100/15-28-75-07 W6M.	Disc #:		Photo #:	
Facility Name:	SADDLE HILLS.	Inspector:	J. OLIVER		
Vessel Description:	SCAVENGER BLDG. FUEL GAS SCRUBBER.	Date:	JUNE 24/03		
Prov. Reg. Number:	0492260B	CRN:	0H 0437.213T.	Page:	1 of 2.

GENERAL INFORMATION

Manufacturer:					Serial Number:	3046-30.	
RT:	HT:	YES <input type="checkbox"/> NO <input type="checkbox"/>	Internally Coated:	YES <input type="checkbox"/> NO <input type="checkbox"/> NOT KNOWN <input type="checkbox"/>	Insulated:	YES <input type="checkbox"/> NO <input type="checkbox"/> PARTIAL <input type="checkbox"/>	
Sh. Side MAWP:	Psi / Kpa @		F/C	Tube Side MAWP:	Psi / Kpa @		F/C
Sh. Side Op. Pr:	Psi / Kpa @		F/C	Tube Side Op. Pr:	Psi / Kpa @		F/C
Hd. Tk:	Mat'l:	C.A.:	Chan. Hd. Tk:	Mat'l:	C.A.:		
Hd. Tk:	Mat'l:	C.A.:	Chan Sh. Tk:	Mat'l:	C.A.:		
Sh. Tk:	Mat'l:	C.A.:	Trans. Tk:	Mat'l:	C.A.:		
Sh. Tk:	Mat'l:	C.A.:					
VESSEL SIZE: (ID / OD X L):			Strapped:	YES <input type="checkbox"/> NO <input type="checkbox"/>	Manway:	YES <input type="checkbox"/> NO <input checked="" type="checkbox"/>	SIZE:

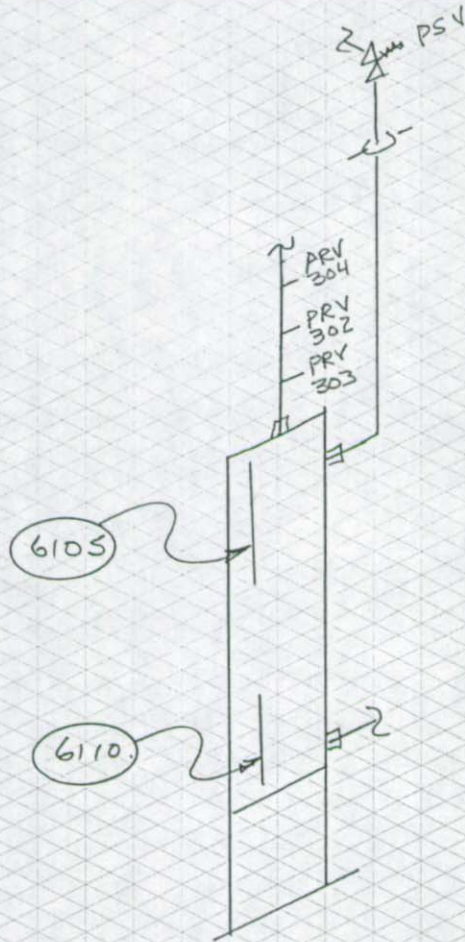
SERVICE CONDITIONS (CHECK ALL THAT APPLY)	OPERATING <input type="checkbox"/> SHUT IN <input type="checkbox"/> SURPLUS <input checked="" type="checkbox"/> JUNK <input type="checkbox"/>
PROCESS	Air <input type="checkbox"/> Lean Amine <input type="checkbox"/> Rich Amine <input type="checkbox"/> Sweet Glycol <input type="checkbox"/> Sweet Gas <input checked="" type="checkbox"/> Sweet Condensate <input type="checkbox"/> Sweet Oil <input type="checkbox"/>
LPG <input type="checkbox"/> Sour Glycol <input type="checkbox"/> Sour Gas <input type="checkbox"/> Sour Condensate <input type="checkbox"/> Sour Oil <input type="checkbox"/> Carbon Dioxide <input type="checkbox"/> Nitrogen <input type="checkbox"/> Steam <input type="checkbox"/>	

VESSEL EXTERNAL CONDITION

Any Recent Repairs? Yes <input type="checkbox"/> No <input checked="" type="checkbox"/>	
Any Physical Damage? Yes <input type="checkbox"/> No <input checked="" type="checkbox"/>	
Any External Corrosion? (other than minor surface rust) Yes <input type="checkbox"/> No <input checked="" type="checkbox"/>	
Any leaks on the vessel, nozzles or piping? Yes <input type="checkbox"/> No <input checked="" type="checkbox"/>	
Any recent ultrasonic thickness tests? Yes <input checked="" type="checkbox"/> No <input type="checkbox"/> <i>JUNE 24/03</i>	
No. of times the site is visited & approx. amount of time spent at the site / visit:	Concentration H ₂ S: <i>0</i>
Vessel Comments: <i>NO VESSEL NOMINALS, MATERIALS, OR CORR. ALL.</i>	

PSV DATA

ANADARKO TAG #:	<i>NO TAG.</i>	SERVICE COMPANY:	
Manufacture:	Size:	Comments:	
Model #:	CRN #:		
Serial #:	Capacity:		
Set Date:	Set Pressure:		
Are there any Isolating valves on either the inlet or outlet of the PSV? Yes <input type="checkbox"/> No <input type="checkbox"/>			



P&ID. # _____
REF. # _____

VESSEL DATA

Prov. Reg. No. _____ C.R.N. 04 0437.213T P.E. No. _____ Serial No. 3046-30.
MFR. Moss Code/Div. _____ Para _____ Code Stamp _____
Yr. Bld. 03 Yr. Inst. _____ Size 8.65" X 24" Vol. _____ Service _____ PWHT _____

Nominal Thickness & Material

Head: _____ Mat'l: _____ C.A.: _____
Head: _____
Shell: _____ C.A.: _____
Shell: _____
Chan Hd: _____ C.A.: _____
Chan Sh: _____
Gas Boot Hd: _____ C.A.: _____
Gas Boot Sh.: _____
Liq. Boot Hd.: _____ C.A.: _____
Liq. Boot Sh.: _____

Insulated No. R.T. _____

Repairs _____
COMMENTS _____

MAWP Shell Side 1965 KPa @ Temp. -29 / 38°C
MAWP Tube Side _____ @ Temp. _____

*FINADARKO CANADA CORPORATION
SADDLE HILLS GAS GATHERING
SADDLE HILLS
LSD: 100/15-26.75-07W6M
BLDG. FUEL GAS SCRUBBER.*

TECH.:	REV. DATE:	DWG DATE:
CAD:	REVISION:	DRAWING: <u>61</u>