



Customer: CANADIAN NATURAL RES. Description: VERTICAL SEPARATOR

Facility: KNOPCIK SWEET Location: 10-08-74-10 W6M

Reg A#: 422134 Serial #: 1804 V 101 Drawing#: 1

CRN #: N2495.2 Manufacturer: PLAINS OIL LTD. Unit #: N/S Year Built: 1996

Shell MAWP: 5102 kPa Shell MAWT: 38°C Shell Material: SA 516 70N Nominal: 22.2mm CA: 1.5mm

Tube "A" MAWP: \_\_\_\_\_ Tube "A" MAWT: \_\_\_\_\_ Head Material: SA 516 70N Nominal: 21.5mm CA: 1.5mm

Tube "B" MAWP: \_\_\_\_\_ Tube "B" MAWT: \_\_\_\_\_ Tube Material: \_\_\_\_\_ Nominal: \_\_\_\_\_ CA: \_\_\_\_\_

Size: 36" x 10' Manway: NO MDMT: -29°C Boot Shell Mat: \_\_\_\_\_ Nominal: \_\_\_\_\_ CA: \_\_\_\_\_

Insulated: NO C Stamp: NO RT: 2 PWHT: NO Boot Head Mat: \_\_\_\_\_ Nominal: \_\_\_\_\_ CA: \_\_\_\_\_

PSV DATA

NOTE: NOT IN SERVICE

Manufacturer: FARRIS Serviced By: UNIFIED VALVE

Model: 26HA12-120 Service Date: 05/02/2005

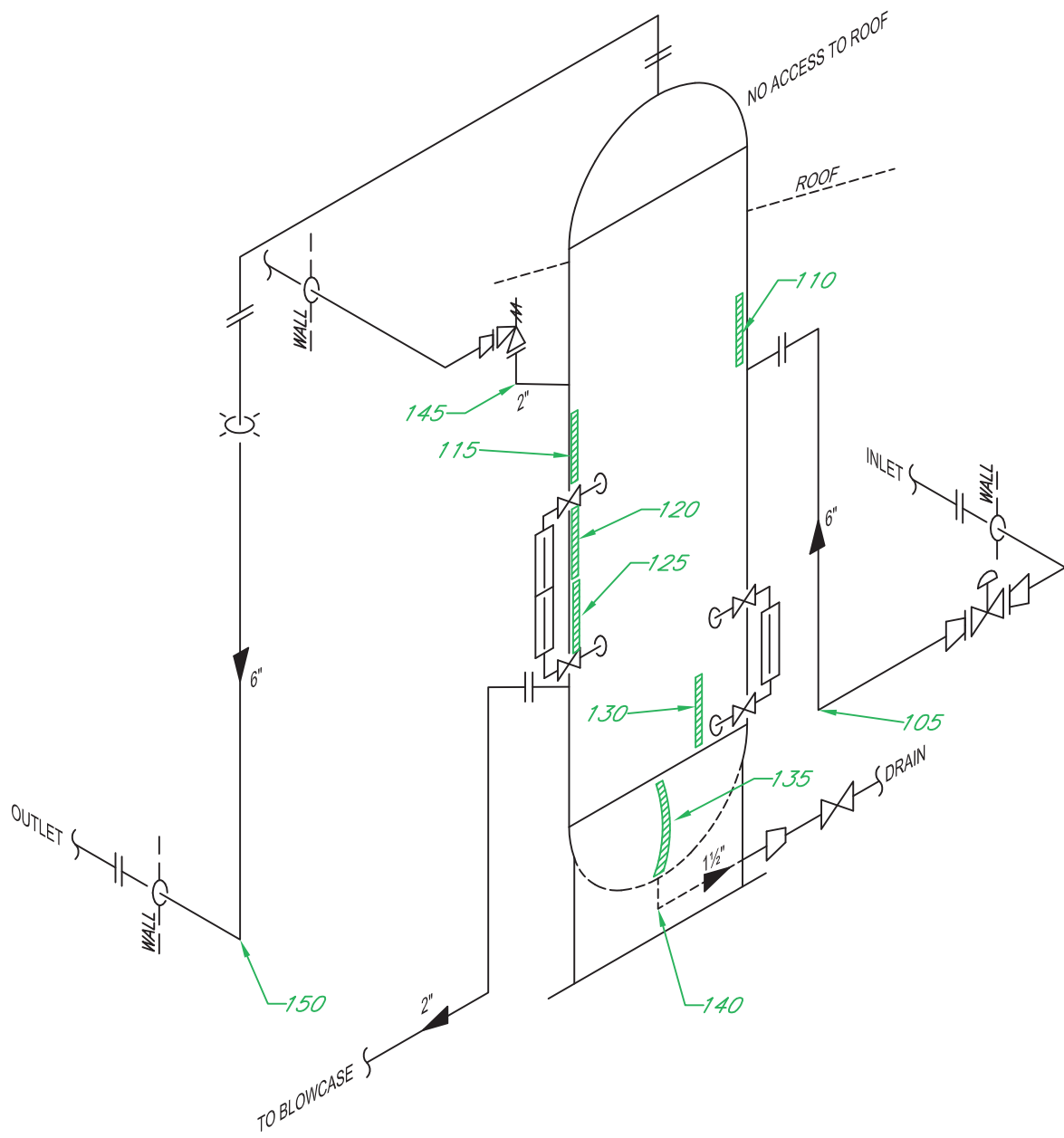
Serial: CE-4314-5-A10 Code Stamp: UV

Set Pressure: 5102 kPa CRN: OG2369.5C

Capacity: 11358 scfm Location: SHELL

Tag: SK-2 Inlet Size: 2" 300lb

Flows To: FLARE Outlet Size: 3" 150lb





**UTS Data Sheet**

Client: **Canadian Natural Resources**  
 Facility: **Knopcik Sweet**  
 LSD: **10-08-74-10 w6m**  
 Equip Description: **Vertical Separator**  
 Reg A#: **422134**  
 Drawing #: **1**

	Nominal Thickness (mm)	Corrosion Allowance (mm)	Hag Thickness (mm)
<b>105</b> Description: <b>6" 90° Elbow</b> Date: June 7, 11 Minimum: 7.1 Average: 7.5 Comments:	7.1	0.9	6.2
<b>110</b> Description: <b>Upper Shell</b> Date: June 7, 11 Minimum: 22.7 Average: 22.8 Comments:	22.2	1.5	20.7
<b>115</b> Description: <b>Upper Shell</b> Date: June 7, 11 Minimum: 22.6 Average: 22.7 Comments:	22.2	1.5	20.7
<b>120</b> Description: <b>Mid Shell</b> Date: June 7, 11 Minimum: 22.6 Average: 22.7 Comments:	22.2	1.5	20.7
<b>125</b> Description: <b>Mid Shell</b> Date: June 7, 11 Minimum: 22.6 Average: 22.7 Comments:	22.2	1.5	20.7
<b>130</b> Description: <b>Lower Shell</b> Date: June 7, 11 Minimum: 22.5 Average: 22.7 Comments:	22.2	1.5	20.7
<b>135</b> Description: <b>Bottom Head</b> Date: June 7, 11 Minimum: 22.0 Average: 22.3 Comments:	21.5	1.5	20.0
<b>140</b> Description: <b>1½" 90° Nozzle</b> Date: June 7, 11 Minimum: 6.7 Average: 7.4 Comments:	7.1	1.5	5.6



UTS Data Sheet

Client: **Canadian Natural Resources**  
Facility: **Knopcik Sweet**  
LSD: **10-08-74-10 w6m**  
Equip Description: **Vertical Separator**  
Reg A#: **422134**  
Drawing #: **1**

	Nominal Thickness (mm)	Corrosion Allowance (mm)	Hag Thickness (mm)
<b>145</b> Description: <b>2" 90° Nozzle</b> Date: June 7, 11 Minimum: 9.3 Average: 9.5 Comments:	8.7	1.5	7.2
<b>150</b> Description: <b>6" 90° Elbow</b> Date: June 7, 11 Minimum: 7.0 Average: 7.5 Comments:	7.1	0.9	6.2