

REV.	DESCRIPTION	DATE	BY	CHK	APP.	PE	FE	DATE
0	AS-BUILT - REMAIN FROM COMPRESSOR DRAWING 026-10A & 10B REV. 6 (AUBURT LARC-793)	12/27/21	MC					09/12/21



1 2 3 4 5 6 7 8

**E-6030**  
GAS COOLER  
MAKE: AMP-S LIMITED  
MODEL: 6030F-R  
FAN SPEED: 600 RPM  
FAN POWER: 5.5 HP

**EM-6015**  
DRIVER  
MAKE: TECO  
MODEL: P25046  
RATING: 2575W, 3PH, 60HZ

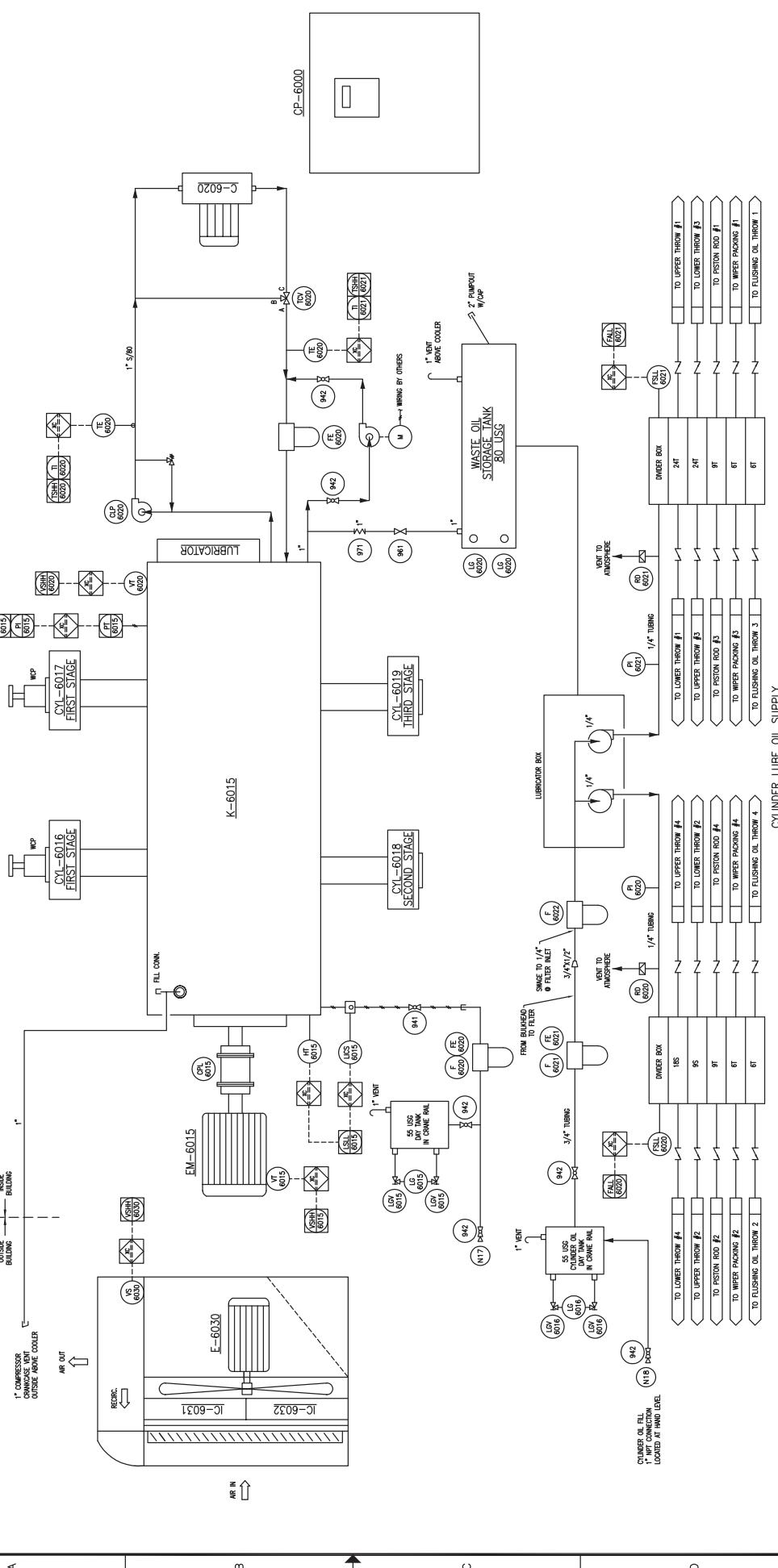
**K-6015**  
COMPRESSOR FRAME  
MAKE: ABE  
MODEL: JKA-4

**CIP-6020**  
INTERNAL GEAR PUMP  
MAKE: ABE  
MODEL: C/M FRAME

**CIP-6021**  
LOW SPEED LUBE PUMP  
MAKE: TURBUL  
MODEL: A109U-C-7  
1 HP @ 1800 RPM, 208-230V, 3PH, 60HZ

**G-6020**  
COMPRESSOR OIL COOLER  
MAKE: MAZUC  
MODEL: H4H-20-C-3-57630E-E-5  
1/2 HP @ 1800 RPM, 275W, 3PH, 60HZ

**CP-6000**  
CONTROL PANEL  
MAKE: ALLEN BRADLEY  
MODEL: COMPACT LOGIX  
NEW 4 ENCLOSURE



DATE	REVISION	DESCRIPTION
12/17/0	0	AS-BUILT - REDRAWN FROM COMPASS COMPRESSION DRAWING CSSE-102 REV. 4 (AURMUT LARC-793)
09/12/21	1	REVISED TO ADD CYLINDER LUBE OIL SUPPLY
09/12/21	2	REVISED TO ADD WASTE OIL STORAGE TANK
09/12/21	3	REVISED TO ADD WEIR PACKING
09/12/21	4	REVISED TO ADD FLUSHING OIL THROWS

DATE	DESIGNED BY	CHECKED BY	APPROVED BY	SCALE	JOB NO.	DRAWING NO.
12/17/0	M. CASSIDY	L. TURNO	L. TURNO	N.T.S.	SAL-011-41-PID-6001-4	0
09/12/21	L. TURNO	L. TURNO	L. TURNO	N.T.S.		
09/12/21	L. TURNO	L. TURNO	L. TURNO	N.T.S.		
09/12/21	L. TURNO	L. TURNO	L. TURNO	N.T.S.		

DATE	BY	CHK	APP.	PE
12/17/0	MC	BB		
09/12/21	BT			
09/12/21				
09/12/21				

DATE	REV.	DESCRIPTION
12/17/0	0	AS-BUILT - REDRAWN FROM COMPASS COMPRESSION DRAWING CSSE-102 REV. 4 (AURMUT LARC-793)
09/12/21	1	REVISED TO ADD CYLINDER LUBE OIL SUPPLY
09/12/21	2	REVISED TO ADD WASTE OIL STORAGE TANK
09/12/21	3	REVISED TO ADD WEIR PACKING
09/12/21	4	REVISED TO ADD FLUSHING OIL THROWS



SW SECTION 26-85-19 WAM  
SALESKI SC SAGD PILOT PROJECT  
SOLVENT RECOVERY COMPRESSOR PACKAGE  
PIPING AND INSTRUMENTATION DIAGRAM