

**002-EF-21-2082/2083**  
BUILDING EXHAUST FANS

ENER-TECH ET12-1  
12 ACPH TOTAL

**002-EFM-21-2082/2083**  
BUILDING EXHAUST FAN MOTORS

1/4 HP, 575/3/60 XP

**002-V-21-2016**  
HEAT MEDIUM EXPANSION VESSEL

54" (1372mm) I.D. x 10'-0" (3048mm) 3/8"  
245 PSIG D.P. @ -20/240F + 1/16" C.A.  
1689 kPag D.P. @ -20/120C + 1.5mm C.A.

**002-PM-21-2011/2013**  
PUMP MOTORS

50 HP, 575VAC/3PH/60HZ, 3500 RPM, TEFC MOTOR

**002-P-21-2011/2013**  
PUMPS

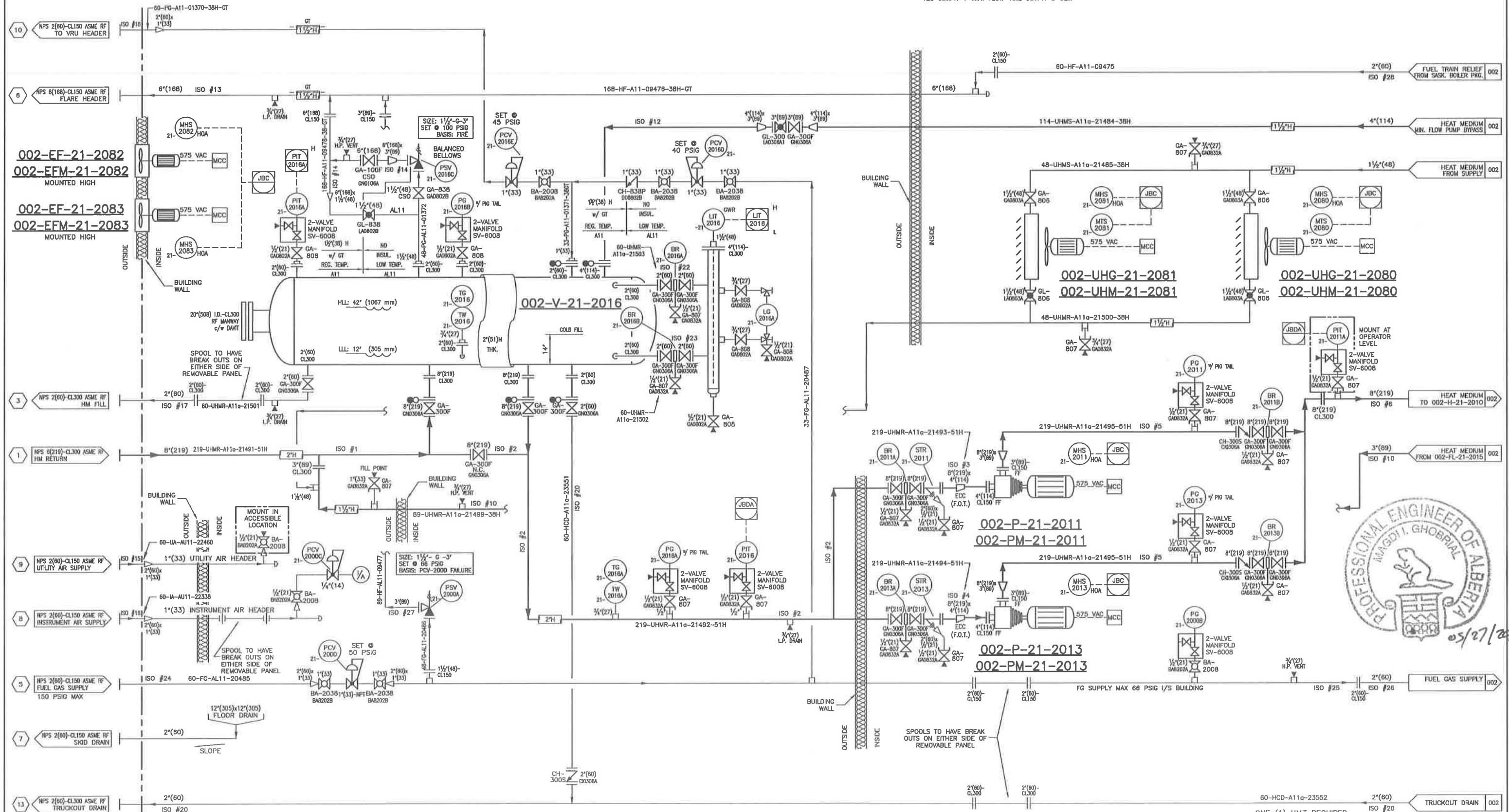
DEAN FH2140 - 3x4x8.5 - 7.75 IMPELLER  
HORIZONTAL CENTRIFUGAL PUMP  
564 USGPM + MIN. FLOW 80 USGPM @ 170'  
128 cuMPH + MIN. FLOW 18.2 cuMPH @ 52M

**002-UHG-21-2080/2081**  
BUILDING HEATER

RUFFNECK AH UNIT HEATERS  
MODEL AH-16A-45  
3/4" THERMOSTAT

**002-UHM-21-2080/2081**  
BUILDING HEATER MOTOR

1/2 HP, 575/3/60



**VALVE TAGGING**

GA-818

VALVE TYPE: BA, GA, CL, CH, NE, BB, BY, SV

SUFFIX: END CONNECTION, TRIM, PRESSURE RATING

VALVE TYPES: BA = BALL, GA = GATE, CL = GLOBE, CH = CHECK, NE = NEEDLE, BB = GAUGE (BLOCK / BLEED), BY = BUTTERFLY, SV = SPECIALTY

1/2" WOG PRESSURE RATINGS ONLY APPLIED TO THREADED AND SOCKET-WELDED BALL VALVES.

TRIM: 0 = STANDARD, 1 = SDUR, 2 = SDUR LOW TEMPERATURE, 3 = LOW TEMPERATURE, 4 = HIGH TEMPERATURE, 5 = STAINLESS STEEL

END CONN.: 0 = RF, 20 = 3000 WOG, 25 = CL2500 ASME/CL2500 API, 30 = 3000 WOG, 40 = 4000 WOG, 60 = 8000 WOG

SUFFIX: F = FILL POINT, S = SWING CHECK, P = PISTON CHECK

**NOTES:**

- \* ITEMS SUPPLIED BY SASKATOON BOILER.
- \*\* ITEMS SUPPLIED BY CLIENT & INSTALLED BY ALCO.
- \*\*\* DENOTES METERS REQUIRING A MIN. STRAIGHT PIPE LENGTH OF 10' UPSTREAM & 5' DOWNSTREAM.
- NITROGEN BOTTLES, HOSES AND CONNECTORS SUPPLIED AND INSTALLED BY OTHERS.
- ALL INSTRUMENTS SHALL BE TAGGED AS FOLLOWS: 002-XX-21-XXXX, 00 PG-2016 WOULD BE TAGGED: 002-PG-21-2016.

**GENERAL LEGEND:**

- DENOTES PNEUMATIC TIE-IN.
- DENOTES PNEUMATIC COMPRESSOR PANEL TIE-IN.
- DENOTES CAPILLARY TIE-IN.
- DENOTES ELECTRICAL TIE-IN (BY OTHERS).
- DENOTES ELECTRICAL JUNCTION BOX TIE-IN.
- DENOTES LOCAL PLC TIE-IN (BY OTHERS).
- DENOTES LOCAL ELECTRICAL PANEL TIE-IN.
- DENOTES FIELD MOUNTED INSTRUMENT.
- DENOTES LOCAL PANEL INSTRUMENT.
- DENOTES LOCAL PANEL INSTRUMENT (MOUNTED INSIDE PANEL).

| DWG.                    | DESCRIPTION        | REV. | DATE       | REV. BY | DESCRIPTION             |
|-------------------------|--------------------|------|------------|---------|-------------------------|
| D-2013-8426-51A-001/002 | LAYOUT/ASSEMBLY    | 0    | 2014-05-13 | BGR     | ISSUED FOR CONSTRUCTION |
| DWG.                    | DESCRIPTION        | REV. | DATE       | REV. BY | DESCRIPTION             |
|                         | REFERENCE DRAWINGS |      |            |         | REVISIONS               |

ONE (1) UNIT REQUIRED

**ALCO GAS & OIL**  
PRODUCTION EQUIPMENT LTD.

P&ID  
UTILITY LEP DIRECT FIRED HEAT MEDIUM PACKAGE  
TAG: 002-PK-21-2000

LOCATION: FERRIER CPF PROJECT  
CUSTOMER: DEVON CANADA CORP.

DWG/SHOP ORDER: D-2013-8426-51F-001/003  
REV. 0

DATE: 2013-05-08  
SCALE: NTS  
CHK'D: [Signature]

ISSUED FOR CONSTRUCTION

L.S.D. 11-02-03B-08 W5M

The information contained herein is the confidential property of Alco Gas and Oil Production Equipment Ltd., and is not to be published. The information is issued on the understanding that no part thereof shall be copied or transmitted in any form or by any means without authorization in writing from Alco Gas and Oil Production Equipment Ltd.