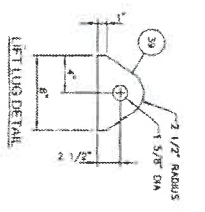
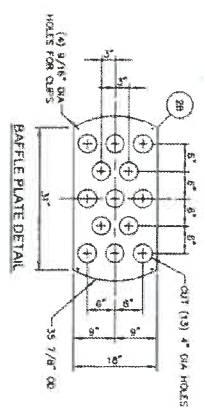
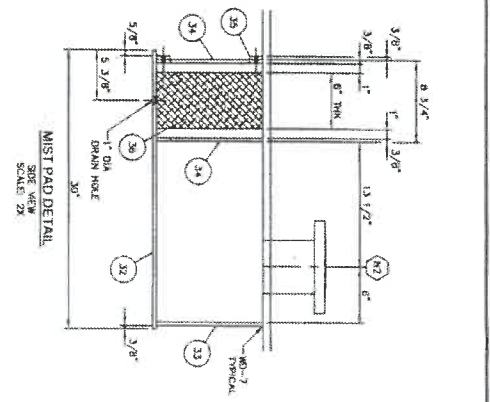
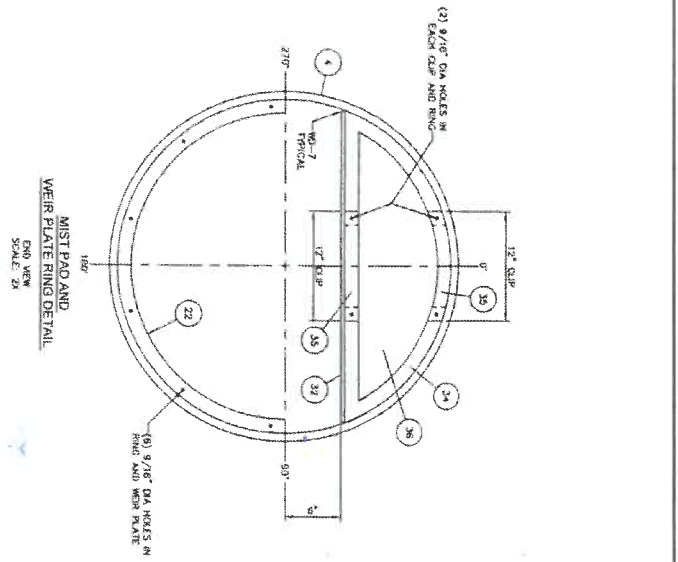


THE CONTENTS OF THIS DRAWING ARE CONFIDENTIAL AND MAY NOT BE REPRODUCED IN ANY FORM WITHOUT WRITTEN PERMISSION.



ITEM	QTY	COMMENT	DESCRIPTION	MATERIAL
1	1	MANWAY HEAD	PL - 30" OD x 1 1/8" THK (1.0025" MIN) 2:1 SE. 2" S	SA-516-70N
2	1	HEAD	PLATE - 36" ID x 7/8" THK (0.875" MIN) 2:1 SE. 2" S	SA-516-70N
3	4	SHELL #1	PLATE - 36" ID x 7/8" THK x 6'-0" LG	SA-516-70N
4	1	SHELL #2	PLATE - 36" ID x 7/8" THK x 4'-0" LG	SA-516-70N
5	2	NO. 18	FLANGE - 2" CLASS 300 RF 1/2" x 9" LG	SA-350-1/2 D1
6	3	NO. 19	FLANGE - 2" CLASS 300 RF 1/2" x 9" LG	SA-350-1/2 D1
7	3	NO. 20	FLANGE - 2" CLASS 300 RF 1/2" x 9" LG	SA-350-1/2 D1
8	2	NO. 21	FLANGE - 2" CLASS 300 RF 1/2" x 9" LG	SA-350-1/2 D1
9	1	NO. 22	FLANGE - 2" CLASS 300 RF 1/2" x 9" LG	SA-350-1/2 D1
10	1	NO. 23	FLANGE - 2" CLASS 300 RF 1/2" x 9" LG	SA-350-1/2 D1
11	1	NO. 24	FLANGE - 2" CLASS 300 RF 1/2" x 9" LG	SA-350-1/2 D1
12	1	NO. 25	FLANGE - 2" CLASS 300 RF 1/2" x 9" LG	SA-350-1/2 D1
13	24	NO. 26	STUDS - 1 1/4" DIA x 8 1/4" LG (C/A 2 UNITS EACH) (SA-193-B7)	SA-193-B7
14	1	NO. 27	NO. 27	
15	1	NO. 28	NO. 28	
16	2	WEAR PLATE	PLATE - 3/8" THK x 5' x 48 1/4" LG	SA-516-70N
17	2	BOSE PLATE	PLATE - 1/2" THK x 7' x 36" LG	SA-36 / 44N
18	2	FACE/SIDE PLATE	PLATE - 3/8" THK x 28 11/16" x 47" LG	SA-36 / 44N
19	2	FACE/SIDE PLATE	PLATE - 3/8" THK x 28 11/16" x 47" LG	SA-36 / 44N
20	2	NO. 29	NO. 29	
21	1	WEIR PLATE RING	PLATE - 3/8" THK x 35 7/8" OD x 18" HIGH x 1 1/2" WIDE	SA-36 / 44N
22	1	WEIR PLATE RING	PLATE - 3/8" THK x 35 7/8" OD x 18" HIGH x 1 1/2" WIDE	SA-36 / 44N
23	1	WEIR PLATE RING	PLATE - 3/8" THK x 35 7/8" OD x 18" HIGH x 1 1/2" WIDE	SA-36 / 44N
24	2	SPRINKLER BREAKER	PLATE - 1/4" THK x 2' x 4" LG	SA-36 / 44N
25	4	SPRINKLER BREAKER	PLATE - 1/4" THK x 2' x 4" LG	SA-36 / 44N
26	1	BAFFLE PLATE	PLATE - 3/8" THK x 35 7/8" OD x 18" HIGH	SA-36 / 44N
27	1	BAFFLE PLATE	PLATE - 3/8" THK x 35 7/8" OD x 18" HIGH	SA-36 / 44N
28	2	COSSSETS	PLATE - 3/8" THK x 6" x 1 1/2" LG	SA-36 / 44N
29	7	COSSSETS	PLATE - 3/8" THK x 6" x 1 1/2" LG	SA-36 / 44N
30	1	NO. 30	NO. 30	
31	1	NO. 31	NO. 31	
32	1	NO. 32	NO. 32	
33	1	NO. 33	NO. 33	
34	2	NO. 34	NO. 34	
35	2	NO. 35	NO. 35	
36	1	NO. 36	NO. 36	
37	1	NO. 37	NO. 37	
38	1	NO. 38	NO. 38	
39	1	NO. 39	NO. 39	
40	1	NO. 40	NO. 40	
41	1	NO. 41	NO. 41	
42	1	NO. 42	NO. 42	

REV	DATE	REVISION	BY	APP
3	12-10-25	REVISE BOM	P.E.	MB
2	12-10-24	ISSUED FOR CONSTRUCTION	P.E.	MB
1	12-10-01	REVISED, ISSUED FOR REGISTRATION	P.E.	MB
0	12-09-18	ISSUED FOR APPROVAL	P.E.	MB

PENFABCO LTD
 3715 - 56 AVENUE NW EDMONTON, AB T6B 3C3
 TELEPHONE: (780) 434-0222 FAX: (780) 436-1469

CLIENT: STETTLER OIL & GAS
 DATE: 12-09-14
 JOB NO: 1993
 DRAWN BY: P.E.
 CHECKED BY: MB
 DWG NO: 740 PSIG AT -50° F / 100° F
 SHEET 2 OF 2
 APP BY: P.E.
PE-12611

3 PHASE SEPARATOR - FULL SOUR
 36" ID x 12'-0" S/S
 740 PSIG AT -50° F / 100° F
 SHEET 2 OF 2
PE-12611

BLUE DIAMOND DESIGN LTD. 1817 VALLEY VIEW BLVD, VICTORIA, BC V8B 6H6
 TELEPHONE: (250) 381-4612 FAX: (250) 381-4613

