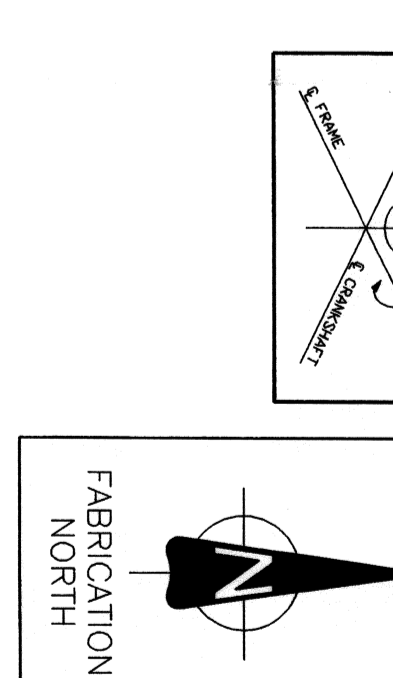
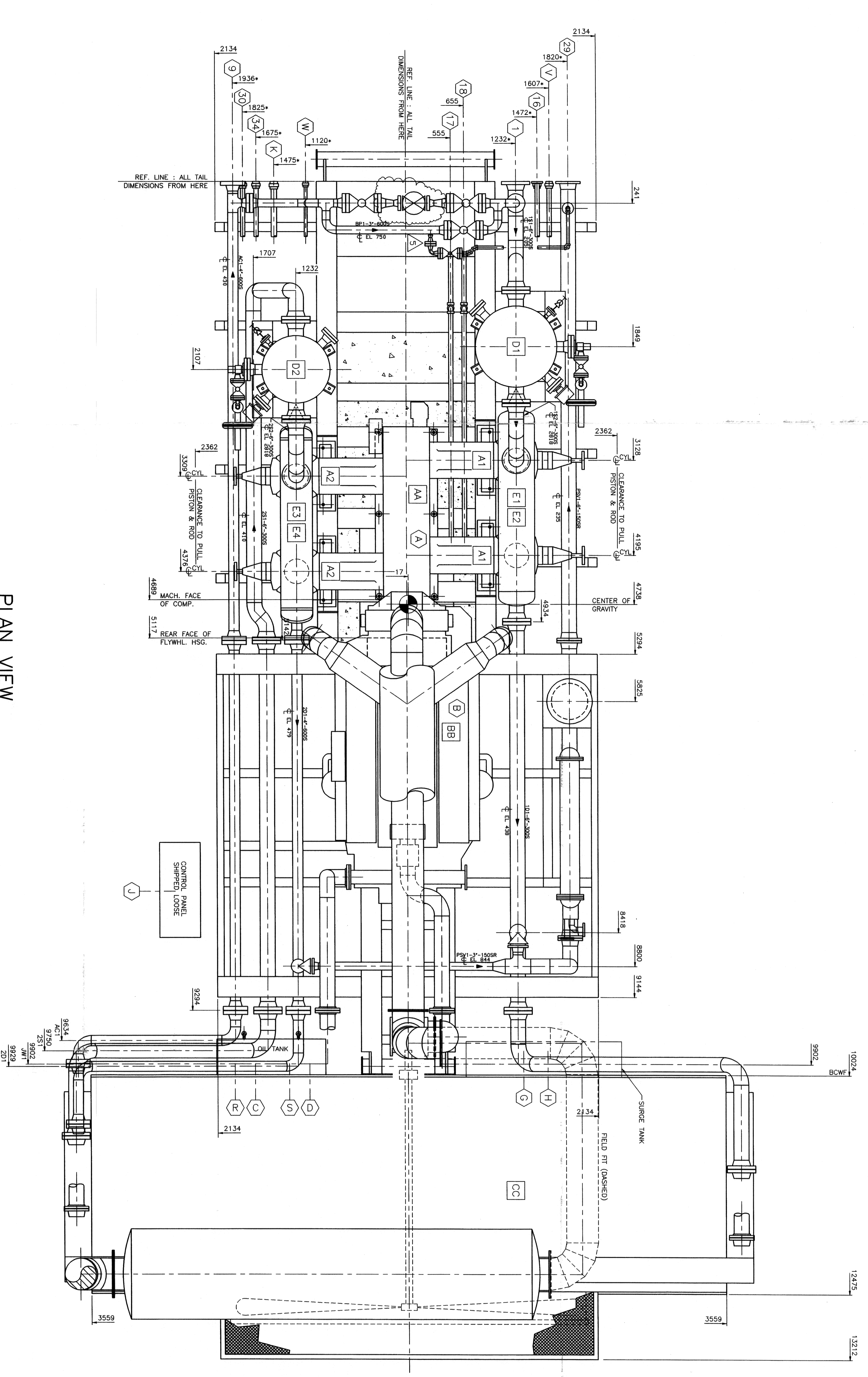


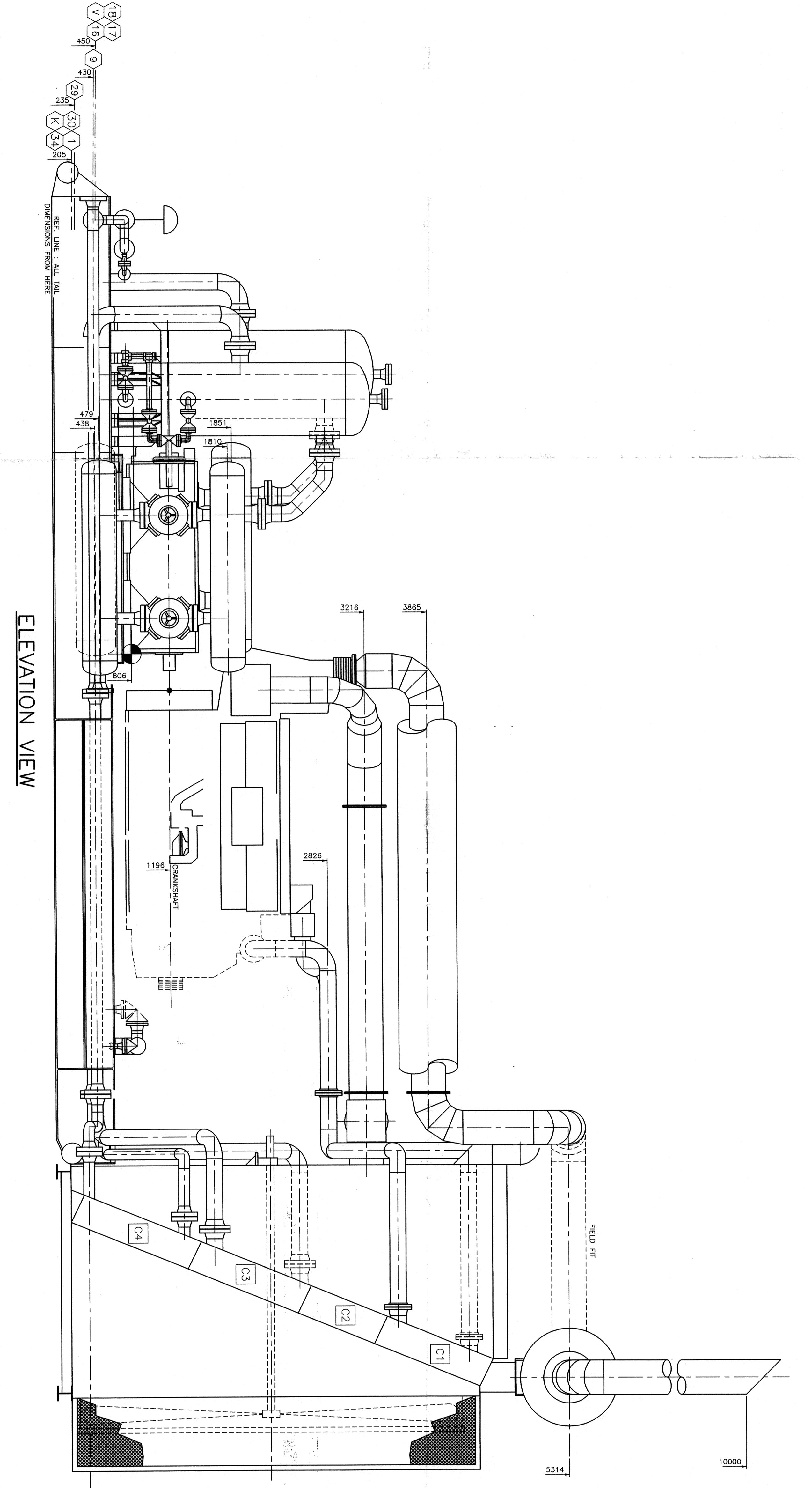
CUSTOMER CONNECTIONS			
NO.	DESCRIPTION	SIZE	
1	STAGE ONE INLET	6"-30INRF	
2	FINAL DISCHARGE	4"-40INRF	
3	SCRUBBER BRAIN HEATER	1-1/2"-150NRF	
4	PACKING VENT AND BRAIN	1-1/2" UNION	
5	DISTANCE FROM VENT AND BRAIN	6'-1.50INRF	
6	FUEL GAS SUPPLY	1-1/2" UNION	
7	START GAS SUPPLY	1-1/2" UNION	



COMPRESSOR UNBALANCED FORCES			
	PRIMARY	SECONDARY	RPM
HORIZONTAL FORCE, KIPS	0.680	0.030	1200
VERTICAL FORCE, KIPS	0.000	0.000	
HORIZONTAL COUPLE, KIP-FT	8.390	0.000	
VERTICAL COUPLE, KIP-FT	9.680	0.000	



PLAN VIEW



ELEVATION VIEW

GENERAL NOTES

- THIS DRAWING IS NOT TO BE USED FOR CONSTRUCTION UNLESS STAMPED.
- RELEASED FOR MANUFACTURE.
- DO NOT SCALE THIS DRAWING.
- FOR DESIGN PARAMETERS AND PAINT SPECIFICATION REFER TO PROJECT SCOPE SUMMARY DRAWING NO. 5396977.
- ALL PIPING MUST BE SELF-SUPPORTING BETWEEN UNIT CONNECTIONS.
- CONDITIONS OF CUSTOMER CONNECTIONS ARE NOT COVERED BY THESE SERIAL COMMENTS. WHEN CHANGES ARE MADE ON SCHEDED SERVICE PIPING IN ORDER TO FACILITATE INSTALLATION AND MAINTENANCE, ON CONNECTION A FINAL DRAWING WILL BE ISSUED WITH FIELD CONNECTIONS CONNECTED TO THE APPROPRIATE UNIT.
- RECOMMENDATION THAT ANY PRE-ENGINEERING TO THIS COMPRESSOR BE DONE BY THE CUSTOMER.
- PACKAGE CONTAIN FIELD VIEWS AT ALL CUSTOMER CONNECTIONS.
- DIMENSIONS INDICATED (**) SHALL BE CONFIRMED AND CERTIFIED CORRECT (***) ON A FINAL REVISION.
- FIELD RT INDICATES THAT THE DIMENSION WILL BE SHIPPED LOOSE FOR FIELD INSTALLATION BY OTHERS.
- COOLER

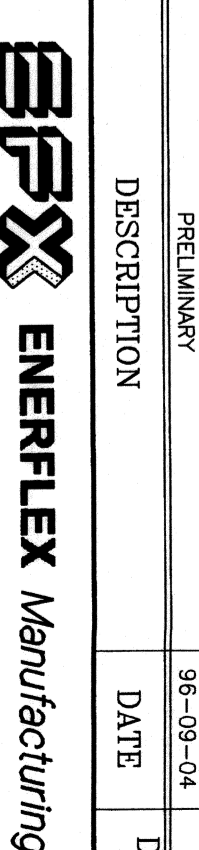
MAJOR COMPONENTS

- AA COMPRESSOR
 - (1) ARIEL, JUP4
 - A1 (2) 3-1/4" DIA. 1" CLASS CYLINDER, 635 PSIG MAP
 - A2 (2) 6" DIA. 1" CLASS CYLINDER, 1879 PSIG MAP
- BB ENGINE
 - (1) WAKESHA L5790L
- CC SCRUBBER
 - D1 (1) 36" DIA. X 72" S/S, 635 PSIG MAP & 300°F, 1.8°C.A.
 - D2 (1) 36" DIA. X 72" S/S, 635 PSIG MAP & 300°F, 1.8°C.A.
- DD BEHICLES
 - E1 (1) 16" DIA. X 74" S/S, 635 PSIG MAP & 300°F, 1.8°C.A.
 - E2 (1) 16" DIA. X 74" S/S, 635 PSIG MAP & 300°F, 1.8°C.A.
 - E3 (1) 14" DIA. X 72" S/S, 1898 PSIG MAP & 258°F, 1.8°C.A.
 - E4 (1) 14" DIA. X 72" S/S, 1898 PSIG MAP & 258°F, 1.8°C.A.
- EE FUEL/GAS FILTER
 - (1) WOODLINE
 - (1) SPANFLEX FLEXIGUARD
- GG CONTROL PANEL
 - (1) SPANFLEX FLEXIGUARD

SHIPPING WEIGHTS

DESCRIPTION	KG.	LBS.
COMPRESSOR	9536	21000
COMPRESSOR	5124	11286
VESSELS	4636	10000
SKID & LOULDS	20200	44533
ENGINE	4717	10460
GRABER	-	-
TOTAL WEIGHT MAIN SKID	44103	97229
COOLER	10433	23000
SHIPMENT LOOSE ITEMS	2268	5000
TOTAL SHIPPED LOOSE ITEMS	12701	28000
TOTAL UNIT WEIGHT	56804	125229

AS-BUILT
MAY 14 1998



ENERFLEX Manufacturing
 5000 W. 13th St., Suite 100
 Minneapolis, MN 55425
 Phone: (612) 835-1100
 Fax: (612) 835-1101
 Email: sales@enerflex.com

ENERFLEX Systems Ltd.
 1998 Enerflex Systems Ltd. reserves the right to make changes without notice to the design, specifications, materials, and dimensions of the products to which the results of the design and engineering are applied.
 CONSULTANT: DPH ENGINEERING
 DATE: 96-09-04
 DRAWN BY: DW
 CHECK BY: DW
 DATE: 96-09-04
 APPROV BY: [Signature]
 1250 11th St. S.W. #14
 DMC, INC.
 OPERY # 10
 6486977