

V-531
 FUEL GAS SEPARATOR
 324mm O.D. x 1524mm s/s TYPE: VERTICAL 2-PHASE
 DESIGN: 1034 kPa @ 66°C/-29°C
 C.A.: 2mm

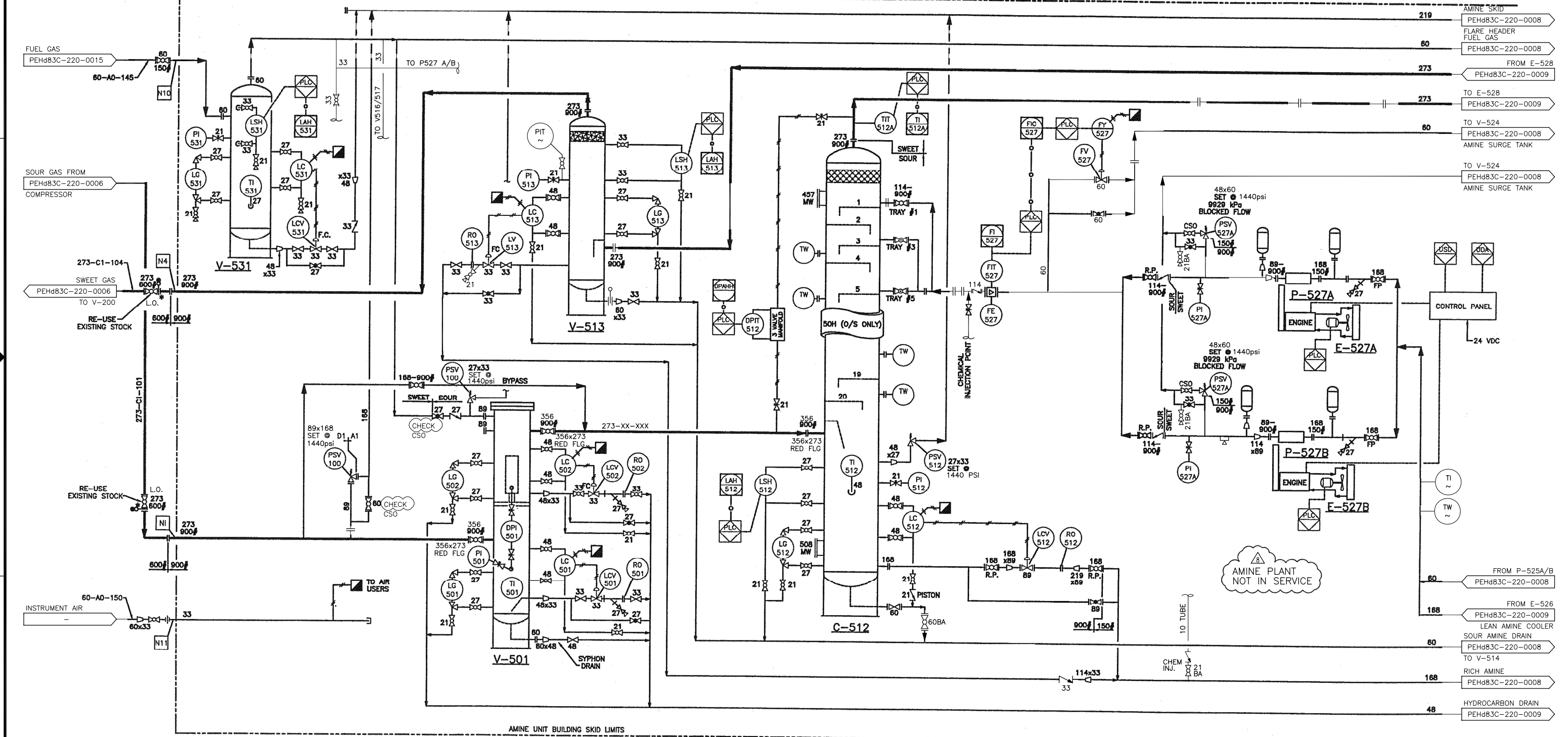
V-501
 INLET FILTER/SEPARATOR
 SIZE: 610mm O.D. x 2743mm s/s
 TYPE: COALESCER FILTER
 DESIGN: 9929 kPa @ 79°C/-29°C, C.A. = 3mm
 ELEMENTS: 8 DANVIC ULTISEP #GCA5536K03V

V-513
 SWEET GAS SCRUBBER
 SIZE: 1087mm O.D. x 2135mm s/s
 TYPE: VERTICAL 2-PHASE
 DESIGN: 9929 kPa @ 79°C/-19°C
 C.A.: 2mm

C-512
 AMINE CONTACTOR
 SIZE: 1219mm I.D. x 14935mm s/s
 TYPE: VERTICAL TRAYED
 DESIGN: 9929 kPa @ 93°C/-29°C/-40°C
 C.A.: 3mm

P-527A/B
 AMINE CHARGE PUMPS
 MODEL: WHEATLEY
 ENGINE DRIVEN: CATERPILLAR G3308TA
 TYPE: HP-250L
 CAPACITY: 176 USCPM @ 320 RPM (1440PSI MAX.)
 ENGINE: 203 HP @ 1800 RPM

E-527A/B
 ENGINE J.W. COOLERS
 MOTOR: 10 HP/ 480V/ 13#



DRAWING NO.	REFERENCE DRAWINGS	REV.	DESCRIPTION	BY	DATE	CHK	APP.	CLIENT
00-876-3107/01	PREVIOUS DRAWING NUMBER	8	IFC-MAY 04,2017 - FCR-STA-17-021 (TITLE BLOCK & DRAWING NUMBER UPDATE)	MF	2017-08-21	RS	RS	
		7	ISSUED FOR FINAL RECORD PROJ. 1.220.10.003 (CH2M-409464)	AJB	2011-02-17		MA	
		6	IFFR (1.220.10.003) 2366-409464	IGP	2010-10-01		MA	
		5	AS BUILT	GX	2001-11-12			
		4	ISSUED FOR 2001 MODIFICATION	A.L.	2001-07-09			
		3	AS BUILT	A.L.	2001-06-28			
		2	REVISED AS NOTED	S.W.	2001-01-25			

DRAWN BY:	CJB	DATE:	2000-06-29
DESIGNED BY:		DATE:	
CHECKED BY:		DATE:	
APPROVED BY:		DATE:	
CLIENT BY:		DATE:	

TITLE PEGGO HELMET (3150) LSD: d-83-C 94-P-8 AMINE PLANT AREA PIPING & INSTRUMENTATION DIAGRAM		
SCALE	JOB NO.	DRAWING NO.
N.T.S.	-	PEHd83C-220-0007
		REV.
		8