

POWERED BY ORIGIN 8.0L ENGINE

80KW GENERATOR PACKAGE

CEG
780.542.2250

CEG - POWERING EFFICIENCY

This 80KW Generator package is powered by the Origin 8.0L Industrial Engine. With the ability to run on both Natural Gas and Propane, it ensures that this unit will operate where ever is it is required.

The heart of the unit is a Magna-Plus Generator, manufactured by Marathon Electric, one of the most trusted names in the electrical Industries.

The Quality and Details in this generator ensure that it will be operating effectively for years to come, providing you with all your power needs.

THE PACKAGE CAN MEET YOU POWER NEEDS FOR YEARS INTO THE FUTURE.



ENGINE FEATURES:

- Integrated, large capacity oil cooler ports.
- Hydraulic roller valve lifters for reduced friction and improved performance.
- Engines are balanced for minimal vibration and smooth running.
- Piston oilers provide cooler piston crown temperatures and increased lubrication.
- Large capacity oil pan contains several threaded fittings for easier maintenance.
- Stellite-faced Inconel valves ensure performance in extreme duty applications.
- Hardened valve guides for longer life.
- Teflon front and rear main seals provide three times the life of conventional seals.
- Oil Pan Gasket is one-piece molded silicone with a steel carrier.
- Head Gasket is solid steel core with stainless steel "armor".
- Cylinder heads feature hardened exhaust and intake seats for increased head life.
- Hydraulic roller lifter camshaft, optimized for high-torque industrial applications.
- Coil-near-plug ignition provides greater spark control.
- Pistons engineered to dissipate heat for extreme duty.

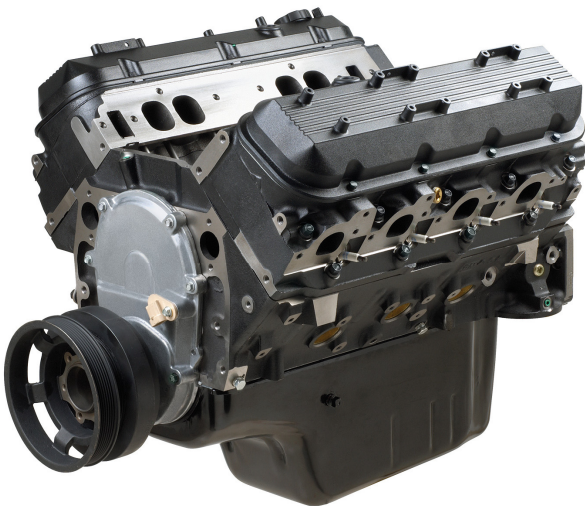


Figure 2 - 8.0L Origin Engine

POWERED BY ORIGIN 8.0L ENGINE

80KW GENERATOR PACKAGE

CEG
780.542.2250

STANDARD FEATURES

PACKAGE FEATURE

- Easy Access Oil Drain Line C/W Ball Valve
- Easy Access Top Oil Spout
- Gas inlet valve C/W Lockable Handle
- Stainless Steel Vent Lines
- Complete Fan Guard
- Easy Access Cover for Coolant Top Up
- 12V Alternator
- 12V Alternator Belt Guard
- Murphy Oil Level Sight Glass C/W Shutdown Controller
- Battery Disconnect C/W Safety Lockout
- Battery Voltage Indicator
- Oil Pressure Gauge
- RPM Tachometer
- RPM Potentiometer
- Emergency Shutdown Button
- Auxiliary Shutdown Terminal
- Auxiliary Heat Trace Valves
- Lockable Battery Box
- Dual Exhaust C/W Mufflers
- Heavy Duty Oil Containment Skid
- Dual Fuel Scrubber



FILTERS AND FLUID

- Air Filter -
- Oil Filter -
- Suggested Oil - 5W-30 Semi-Synthetic
- Suggested Coolant - 50/50 Ethylene Glycol

TG410 TOUGH SERIES AUTOSTART - CONTROL PANEL

- Oil Pressure
- Engine Temperature
- Fuel Level
- Oil Level
- Hour Meter
- RPM
- Real time clock with time/date
- Battery Voltage
- J1939 DTC codes with custom text
- Two customer defined parameters (temperature, pressure, voltage, levels)
- DPF and DEF status icons
- 3-Phase AC Volts, Amps & Hz (for generators)

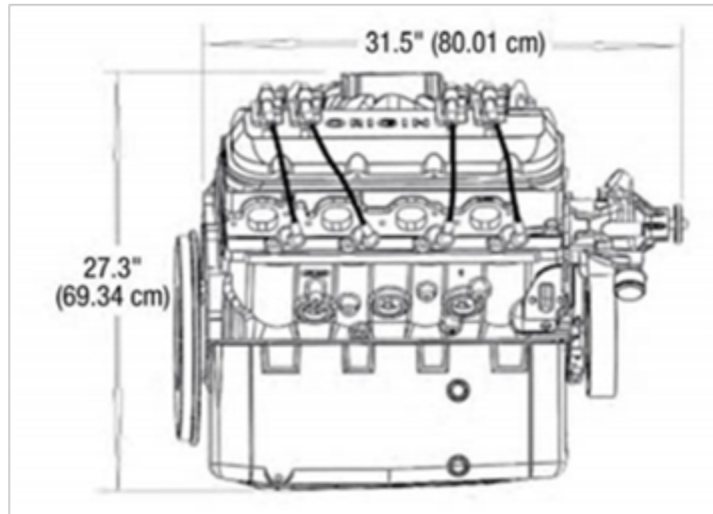
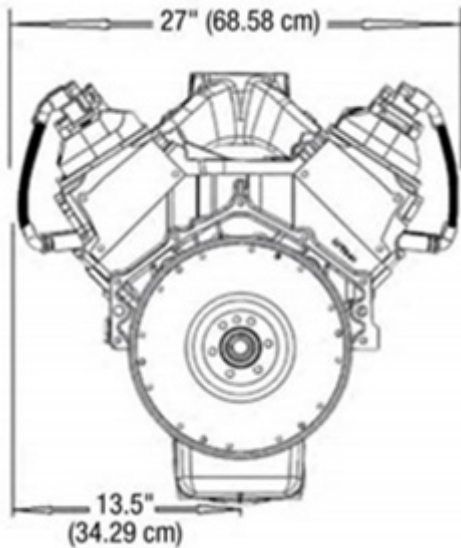


TG410 Tough Series AutoStart - Control panel

POWERED BY ORIGIN 8.0L ENGINE

80KW GENERATOR PACKAGE

CCG
780.542.2250



5.7L Engine Dimensions

ENGINE SPECIFICATIONS

TYPE	8.0L V-8
DISPLACEMENT	488 CID
EPA CERTIFIED	AVAILABLE
ENGINE ORIENTATION	LONGITUDINAL
COMPRESSION RATION	10.5:1
VALVE CONFIGUATION	OVERHEAD VALVES
VALVE LIFTERS	HYDRAULIC ROLLER
BORE & STROKE	107.95MM X 107.95MM
MAIN BEARING CAP	4 BOLT MAIN
REAR MAIN SEAL	1 PIECE
INTAKE MANIFOLD	SINGLE PLANE
FUEL SYSTEM	OPTIONAL
FUEL TYPE	LP & NG
OIL PAN CAPACITY	12 QT/11.35 L WITH FILTER
ENGINE ROTATION	COUNTER-CLOCKWISE

ENGINE CONSTRUCTION

BLOCK	CAST IRON
CYLINDER HEADS	CAST IRON
INTAKE MANIFOLD	ALUMINUM
CRANKSHAFT	FORGED STEEL
CAMSHAFT	STEEL BILLET POLLER
CONNECTING RODS	FORGED STEEL
PISTONS	MOLY-GRAPHITE COATED
EXHAUST SEAT	INDUSTRIAL GRADE SUPER ALLOY
INTAKE SEAT	INDUSTRIAL GRADE SUPER ALLOY
INTAKE VALVES	STAINLESS STEEL
EXHAUSTED VALVES	STELLITE/INCONEL

HORSEPOWER (PEAK)

PROPANE	2233 HP @ 2800 RPM
NATURAL GAS	212 HP @ 2800 RMP

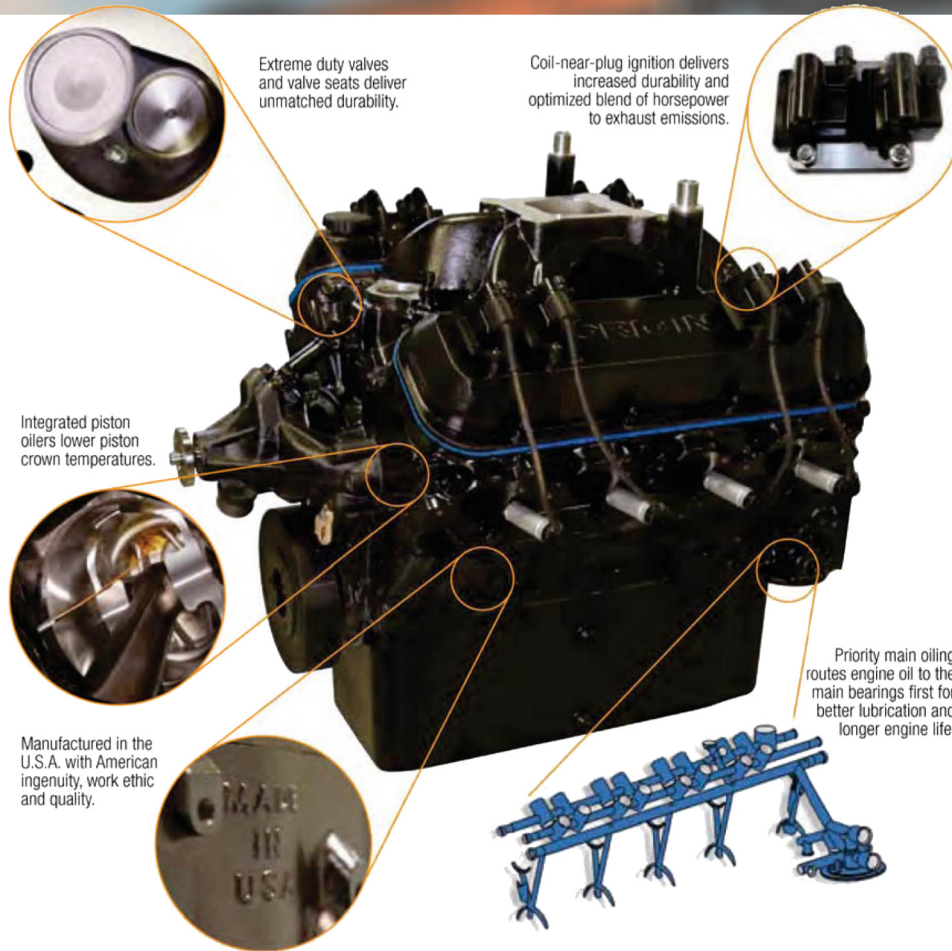
TORQUE

PROPANE	489 LP-FT @ 1800 RPM
NATURAL GAS	426 LB-FT @ 1800 RPM

POWERED BY ORIGIN 8.0L ENGINE

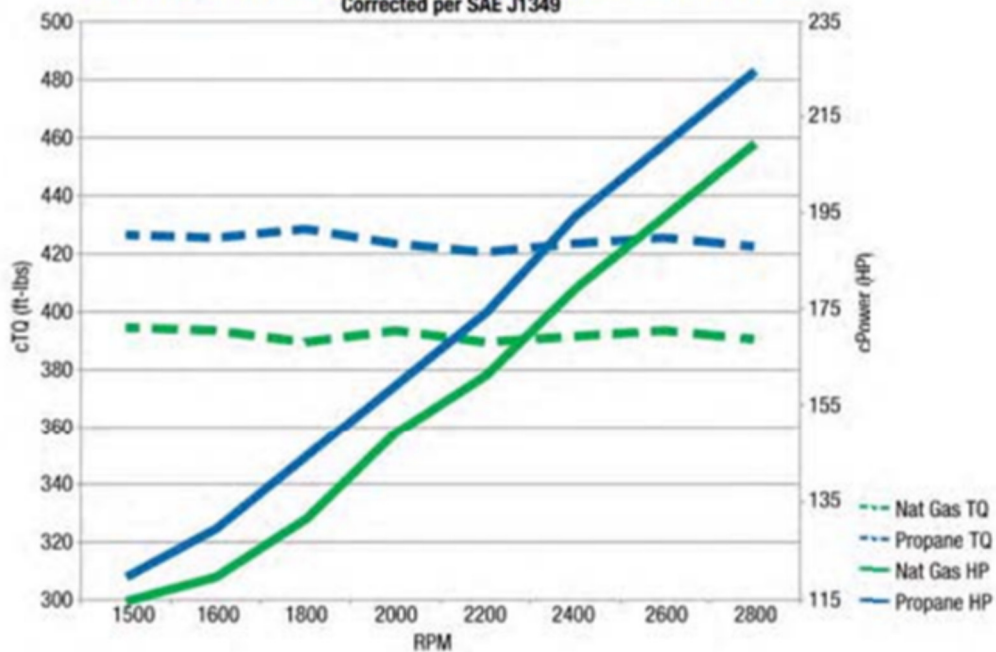
80KW GENERATOR PACKAGE

CCG
780.542.2250



ORIGIN 8.0L POWER CURVE

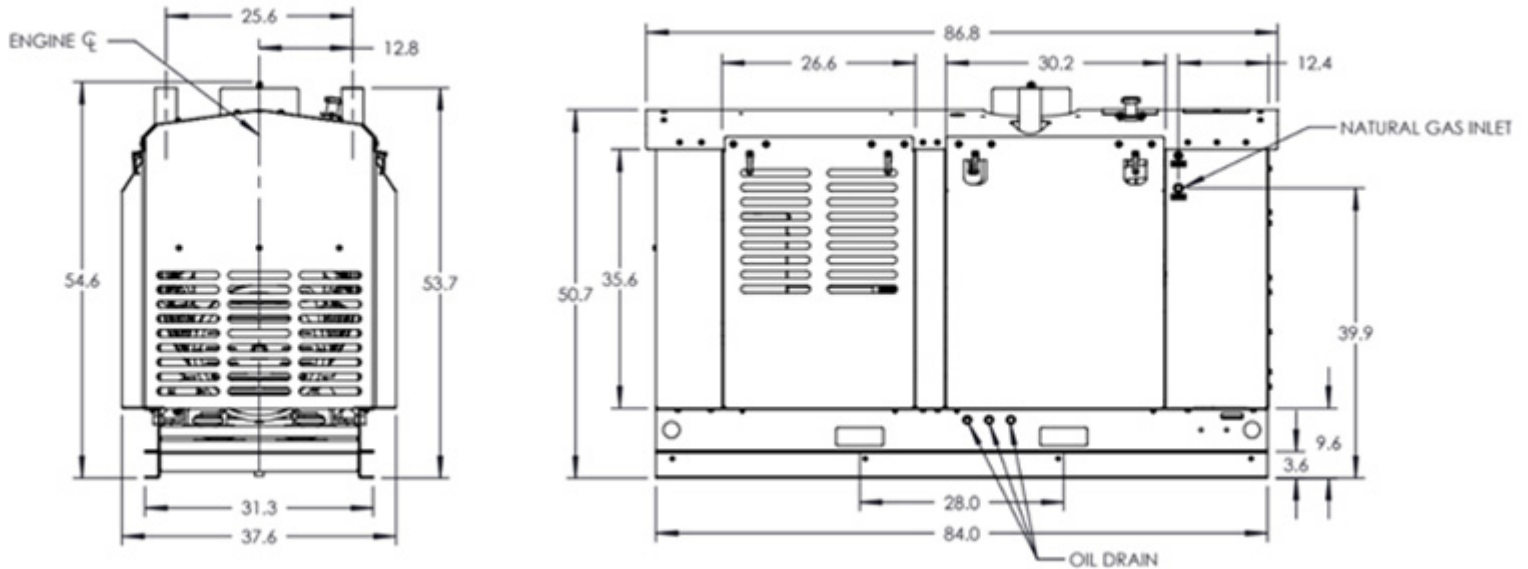
Corrected per SAE J1349



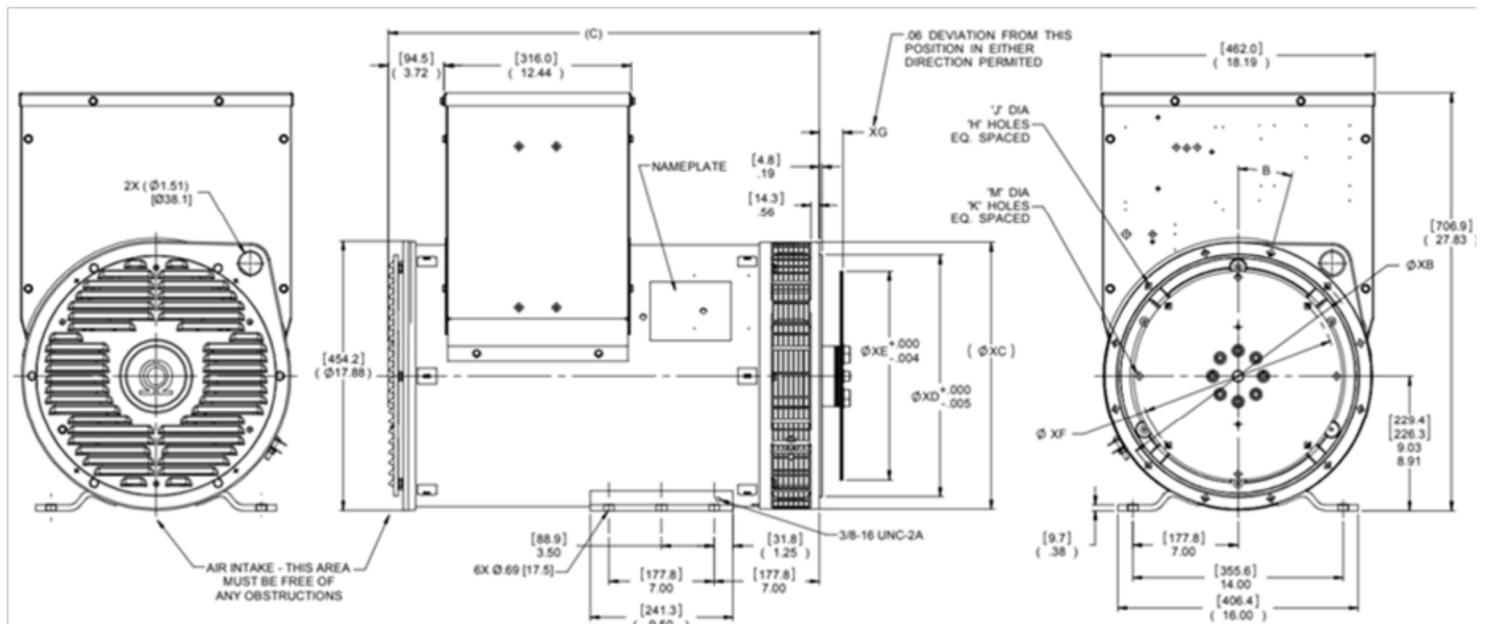
POWERED BY ORIGIN 8.0L ENGINE

80KW GENERATOR PACKAGE

CCG
780.542.2250



Generator package Dimensions and Locations



POWERED BY ORIGIN 8.0L ENGINE

80KW GENERATOR PACKAGE



780.542.2250

BasicModel: 362CSL1604/362PSL1604

Date: 3/28/13

Kilowatt ratings at kW (kVA)	1800 RPM		60 Hertz				12 Leads		
	3 Phase		0.8 Power Factor				Dripproof or Open Enclosure		
	Class B		Class F				Class H		
Voltage*	80° C ① Continuous	90° C ① Lloyds	95° C ① ABS	105° C † British Standard	105° C ① Continuous	130° C ① Standby	125° C † British Standard	125° C ① Continuous	150° C ① Standby
240/480	75 (94)	77 (96)	77 (96)	84 (105)	84 (105)	90 (113)	90 (113)	90 (113)	95 (119)
230/460	71 (89)	73 (91)	73 (91)	80 (100)	80 (100)	86 (107)	86 (107)	86 (107)	90 (113)
220/440	68 (85)	70 (88)	70 (88)	76 (95)	76 (95)	84 (105)	84 (105)	84 (105)	89 (112)
208/416	65 (81)	67 (84)	67 (84)	72 (90)	72 (90)	80 (100)	80 (100)	80 (100)	85 (106)
190/380	60 (75)	60 (75)	60 (75)	65 (81)	65 (81)	72 (90)	72 (90)	72 (90)	77 (96)

① Rise by resistance method, Mil-Std-705, Method 680.1b.

† Rating per BS 5000.

