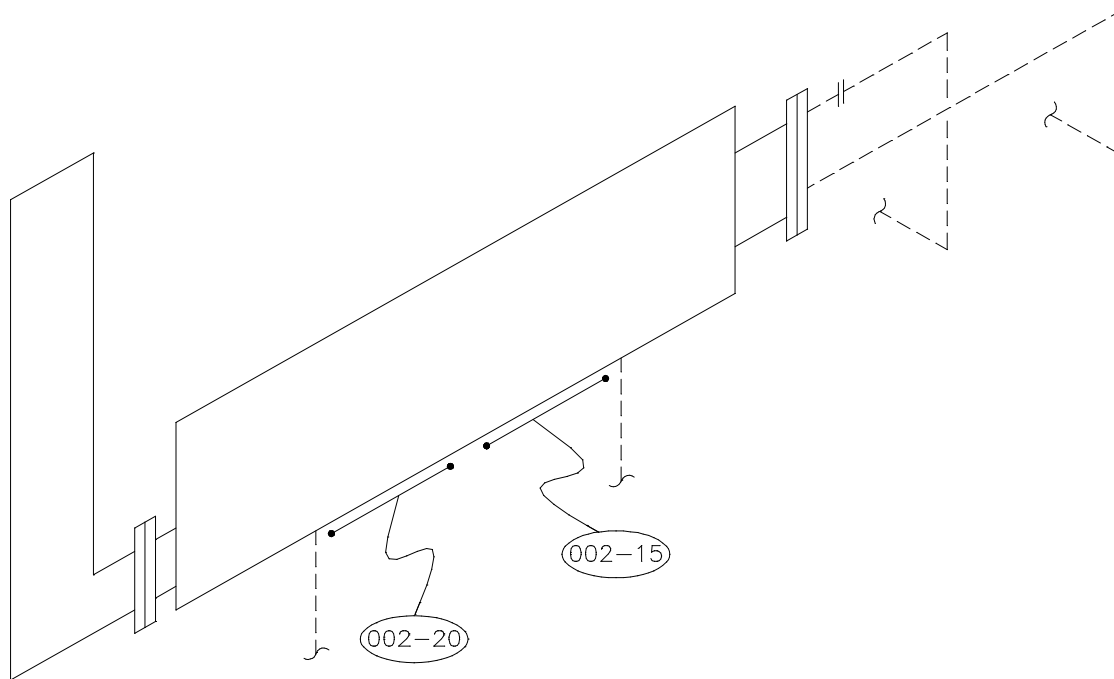


P&ID. # _____
REF. # _____



VESSEL DATA

P.E. No. N/S Serial No. 2004-7111-02 Prov. Reg. No. A0506186 C.R.N. P6431.2
MFR. ALCO Code/Div. ASME VIII DIV.1 Para N/S Code Stamp W
Yr. Bilt. 2004 M/W (Y/N) N/S Size N/S Service SWEET PWHT N/S
RT 1 Insulated YES

Nominal Thickness & Material

Head: N/S Mat'l: SA-105-B C.A.: 1.6mm
Head:
Shell: 5.5mm SA-106-B/SA-234-WPB 1.6mm
Shell:
Chan Hd:
Chan Sh:
Boot Hd:
Boot Sh:

MAWP Shell Side 1150PSI @ Temp. 650°F
MAWP Tube Side @ Temp.

COMMENTS: 2011/02 - OUT OF SERVICE

Repairs N/S
Reason
Reason

APACHE CORPORATION
CHINCHAGA GAS PLANT
UNIT #1 - COMMON UTILITIES
LSD 01-24-096-05W6M

SALT BATH HEATER

TECH.: M.M.	REV. DATE: 2011/02	DWG DATE: 2005/04
CAD: A.L.	REVISION: 1	DRAWING: 002