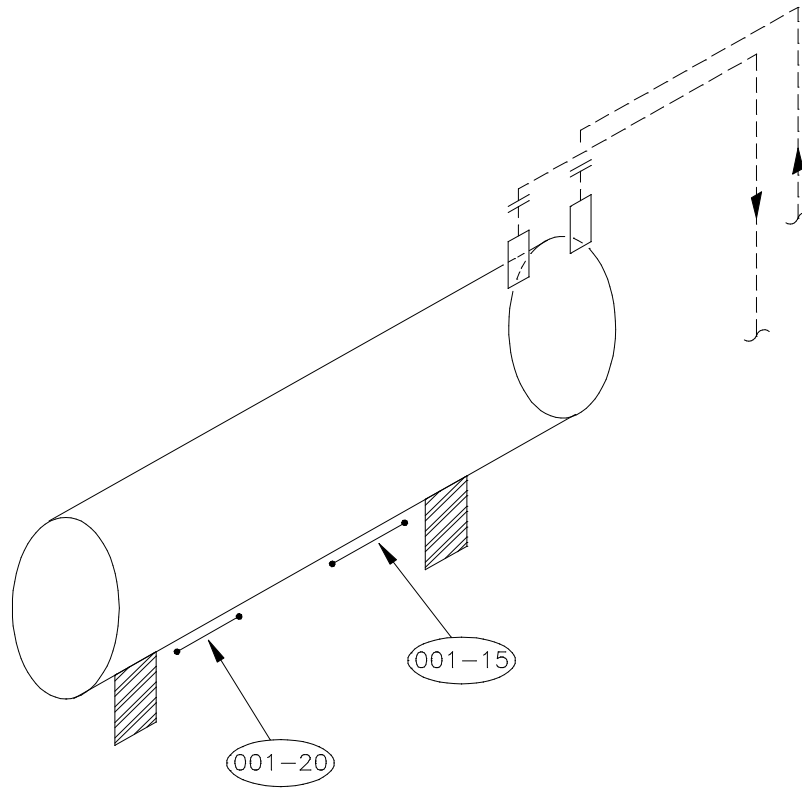


P&ID. # \_\_\_\_\_  
REF. # \_\_\_\_\_



### VESSEL DATA

P.E. No.           N/S           Serial No.           C82-2A           Prov. Reg. No.           A0176636           C.R.N.           E3432.2            
MFR.           HYCON           Code/Div.           N/S           Para           N/S           Code Stamp           N/S            
Yr. Bilt.           1982           M/W (Y/N)           N/S           Size           N/S           Service           SWEET           PWHT           N/S            
RT           3           Insulated           YES          

### Nominal Thickness & Material

Head:           N/S           Mat'l:           N/S           C.A.:           1.6mm            
Head:                                                                                   
Shell:           7.6mm                     SA-106-B                     1.6mm            
Shell:                                                                                   
Chan Hd:                                                                                   
Chan Sh:                                                                                   
Boot Hd:                                                                                   
Boot Sh:                                                                                 

MAWP Shell Side           1150PSI           @ Temp.           650°F            
MAWP Tube Side                            @ Temp.                           

COMMENTS:           2011/02 - OUT OF SERVICE          

Repairs           N/S            
Reason                             
Reason                           

APACHE CORPORATION  
CHINCHAGA GAS PLANT  
UNIT #1 - COMMON UTILITIES

SALT BATH HEATER (EAST)

TECH.: M.M.	REV. DATE: 2011/02	DWG DATE: 2000/05
CAD: A.L.	REVISION: 2	DRAWING: 001