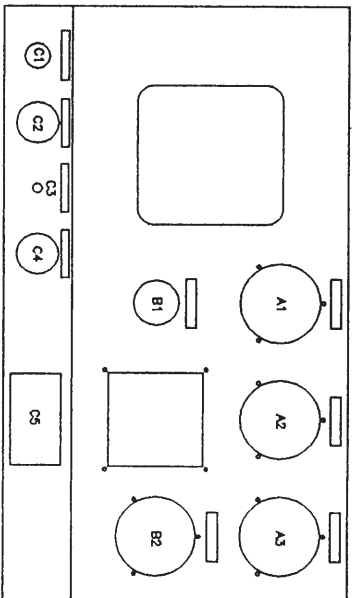
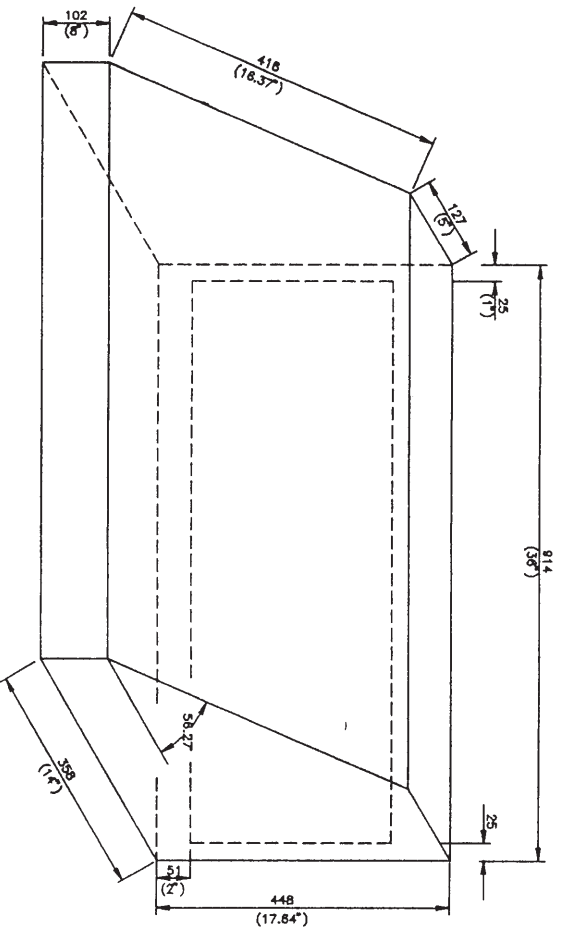


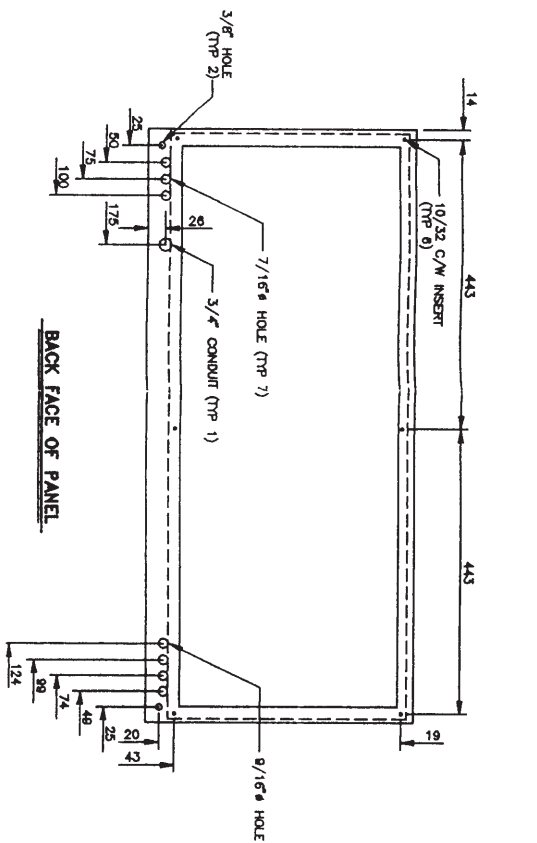
PANEL FACE INSTRUMENTATION LAYOUT



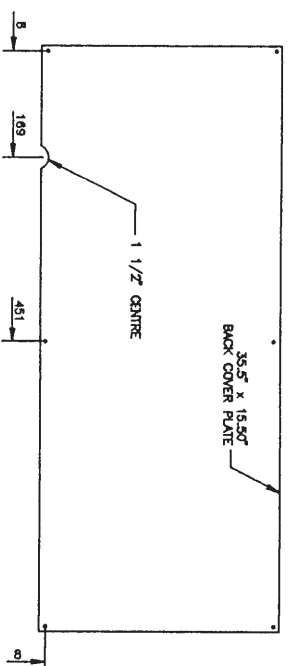
PANEL FACE ENGRAVING LAYOUT



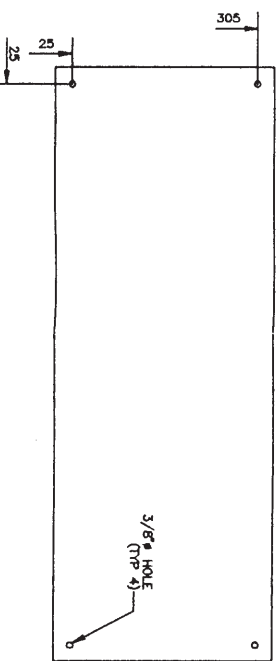
CONTROL PANEL ISOMETRIC VIEW



BACK FACE OF PANEL



BACK COVER PLATE



BOTTOM FACE OF PANEL

CONTROL PANEL ENGRAVING SCHEDULE

ITEM	LINE	DESCRIPTION	SIZE
A1	1	HIGH / LOW SUCTON PRESSURE SENSE #1	25mm X 65mm BLACK LETTERS ON WHITE
A2	1	DISCHARGE PRESSURE SENSE #1	25mm X 65mm BLACK LETTERS ON WHITE
A3	1	HIGH DISCHARGE PRESSURE SENSE #2	25mm X 65mm BLACK LETTERS ON WHITE
B1	1	COMPRESSOR LOW OIL PRESSURE	25mm X 75mm BLACK LETTERS ON WHITE
B2	1	HIGH DISCH TEMP SENSE #1	25mm X 75mm BLACK LETTERS ON WHITE
B2	2	HIGH DISCH TEMP SENSE #2	25mm X 75mm BLACK LETTERS ON WHITE
C1	1	MANUAL BYPASS CONTROL	12mm X 75mm BLACK LETTERS ON WHITE
C1	2	MANUAL BYPASS SIGNAL	12mm X 75mm BLACK LETTERS ON WHITE
C2	1	MANUAL BYPASS CONTROL	12mm X 75mm BLACK LETTERS ON WHITE
C2	2	MANUAL BYPASS SIGNAL	12mm X 75mm BLACK LETTERS ON WHITE
C3	1	MANUAL BYPASS	25mm X 75mm BLACK LETTERS ON WHITE
C3	2	AUTO BYPASS	25mm X 75mm BLACK LETTERS ON WHITE
C4	1	AUTO BYPASS SIGNAL	12mm X 75mm BLACK LETTERS ON WHITE
C4	2	AUTO BYPASS SIGNAL	12mm X 75mm BLACK LETTERS ON WHITE

AS-BUILT
DATE JUL 25 1996

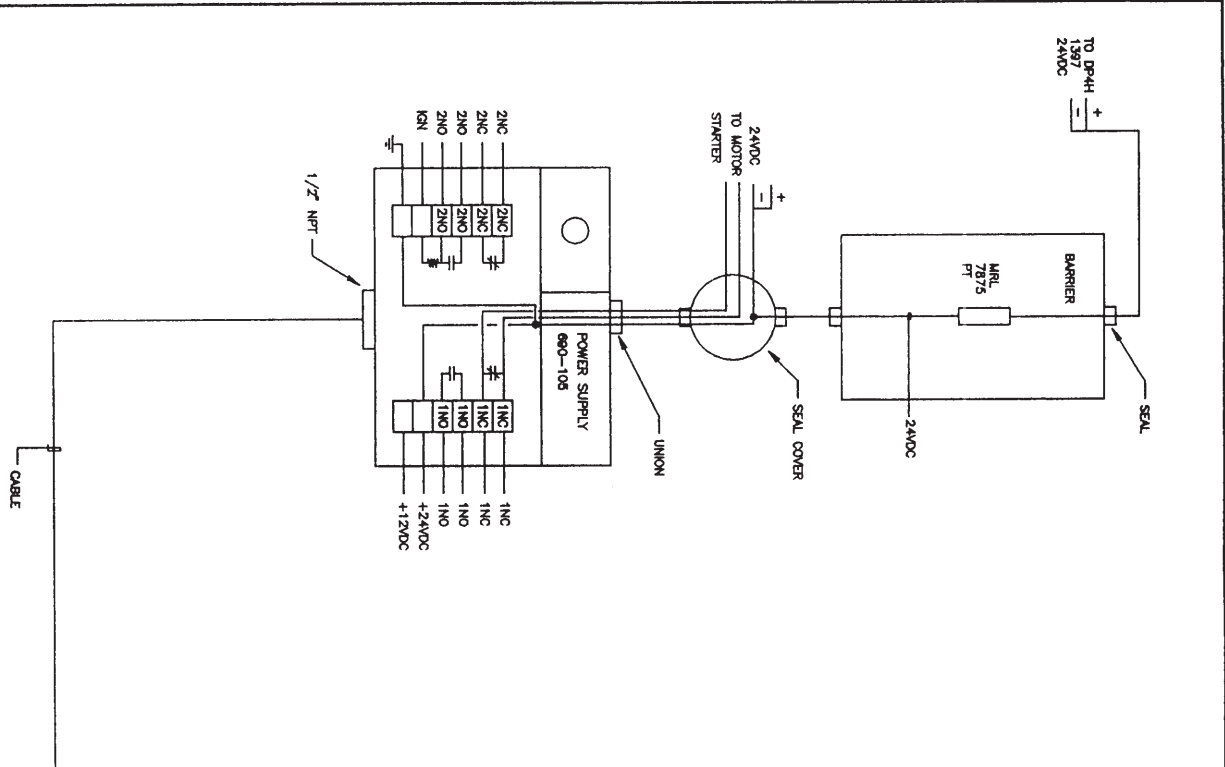
NO.	DATE	REVISION	BY	APP.	REFERENCE DRAWINGS
A	8/24/91	ISSUED FOR APPROVAL	ALF		
0	8/24/91	ISSUED FOR CONSTRUCTION	JJ		
1	8/24/91	AS-BUILT	AT		

DRAWN BY:	ALF	DATE:	96.06.17	PROJECT:	P-280	DWG NO.:	D-96290-1	REV.:	1
CHECKED BY:		SCALE:	1:1	DESIGNED BY:					

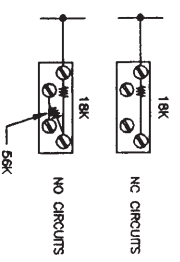
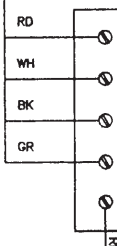
BERTMIG
ELECTRICAL CONTRACTORS & INSPECTORS
ALBERTA

ENERLIFEX
CONTROL PANEL CABINET
LAYOUT

96044



ANNUNCIATOR DO - 20NT - C			
B	10	COMPRESSOR LOW OIL PRESSURE	NC
B	11	COMPRESSOR LUBRICATOR NO FLOW	NC
B	12	COMPRESSOR VIBRATION	NC
B	13	MOTOR VIBRATION	NC
B	14	COOLER VIBRATION	NC
B	15	HIGH/LOW SUCTION PRESSURE	NO
B	16	SPARE	NC
B	17	SPARE	NO
A	20	COMPRESSOR CRANKCASE LOW OIL LEVEL	NC
A	21	HIGH DISCHARGE TEMPERATURE STAGE #1	NO
A	22	HIGH DISCHARGE TEMPERATURE STAGE #2	NO
A	23	HIGH LIQUID LEVEL INLET SEPARATOR STAGE #1	NC
A	24	HIGH LIQUID LEVEL INTERSTAGE SCRUBBER STAGE #2	NC
A	25	HIGH DISCHARGE PRESSURE STAGE #1	NO
A	26	HIGH DISCHARGE PRESSURE STAGE #2	NO
A	27	SPARE	NO
A	30	SPARE	NC
A	31	SPARE	NC
A	32	SPARE	NC
A	40	SPARE	NO



SWITCH CONTACTS SHOWN IN OPERATING MODE

WARNING

- WHEN TROUBLESHOOTING, DISCONNECT ANNUNCIATOR PLUG CONNECTOR AND GROUND USING OHM METER TO CHECK END DEVICES BEING NEAR PANEL.

- DISCONNECT ANNUNCIATOR PLUG AND GROUND BEFORE ATTEMPTING TO REPAIR OR ADJUST EQUIPMENT TO PREVENT AT HIGHER VOLTAGES MAY DAMAGE OR DESTROY THIS PANEL.

- NOTES
1. ALL SENSOR WIRES MUST RUN AT LEAST 7' FROM OTHER WIRES AND IN SEPARATE CONDUIT.
 2. WIRING TO BE TINNED 18 AWG. MAX. 24 AWG. WIRE. INSULATION AS TAKING 500 VOLT. ENDS TO BE SOLDERED.
 3. DESIRED PANEL IS GROUNDED TO SHOD.

AS-BUILT

DATE _____

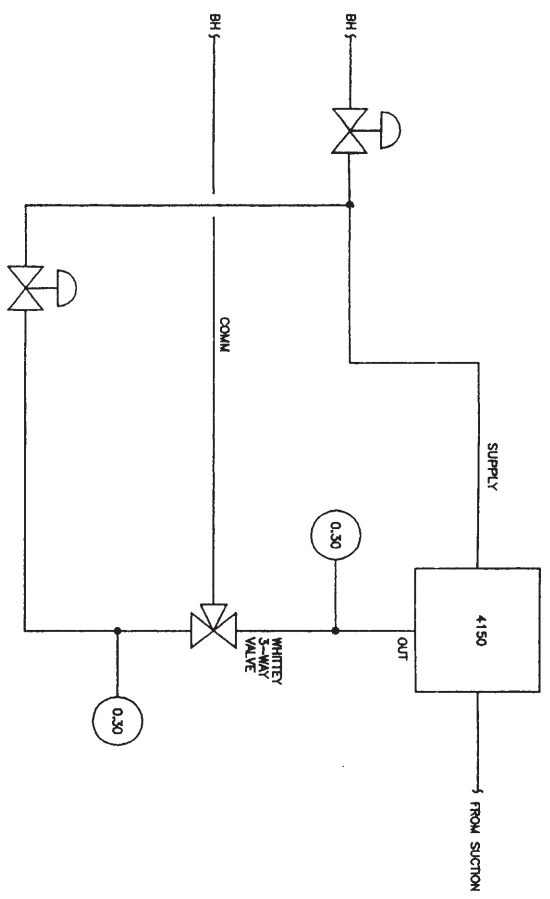
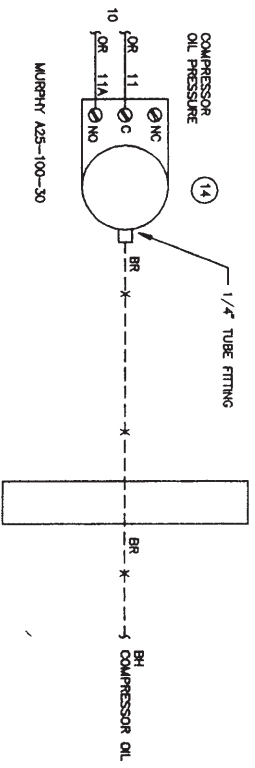
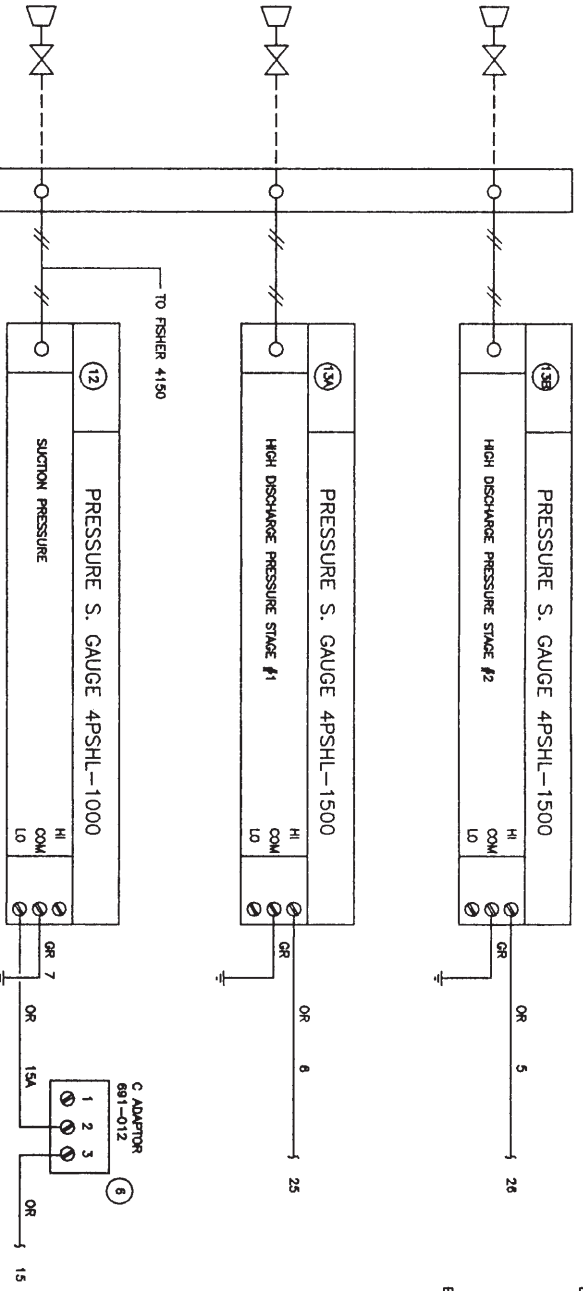
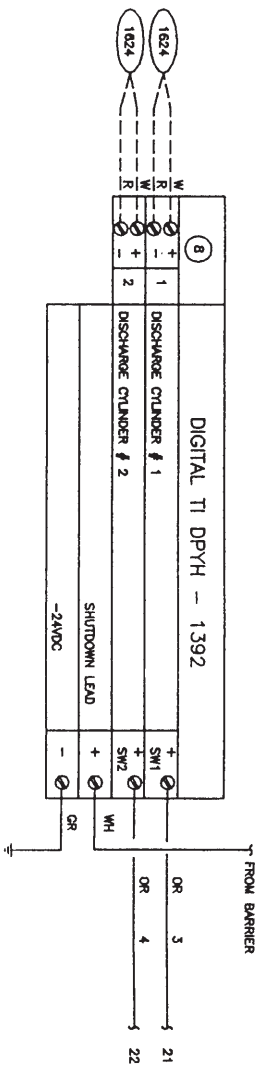
NO.	DATE	REVISION	BY	APP.
1	06/07/24	AS-BUILT		AT
0	06/06/24	ISSUED FOR CONSTRUCTION		JJ
1	06/06/24	ISSUED FOR APPROVAL		JJ

IBERMAC
ELECTRICAL & INSTRUMENTATION
CALGARY

ENERFLEX SYSTEMS LTD.
ALBERTA

CONTROL PANEL WIRING
#96044

DRWN BY:	DATE:	PROJECT:	DWG. NO.:	REV.:
JJ	06/06/24		D-96290-2	1
CHKD BY:	DESIGNED BY:	NTS		



NOTES
1. SEE SHEET #1 FOR WIRING NOTES.

2. TUBE FITTING TO BE SWAGelok CAD PLATED STEEL.

3. TUBING LEGEND

---X---X---X--- 1/4" TETRAFLUOR NYLON 11

---X---X---X--- 1/4" O.D. 0.035" WALL 304SS

3. TUBING COLOUR CODE

WHITE (WH) - VENT
YELLOW (YL) - VENT GAS SIGNAL
BLUE (BL) - TUBE GAS SIGNAL
BROWN (BR) - ESD/FIRE
BLACK (BK) - COMPRESSOR OIL
GREEN (GR) - ENGINE VACUUM

AS-BUILT

DATE _____

NO.	DATE	REASON	BY	APP.
1		AS-BUILT		
0		ISSUED FOR CONSTRUCTION		
A		ISSUED FOR APPROVAL		

CALLGARY
BarMoc
ENERFLEX SYSTEMS LTD.
ALBERTA

CONTROL PANEL INSTRUMENTATION
96044

DOWN BY	DATE	PROJECT	DWG NO.	REV.
JJ	96.06.24		0-96290-3	1
CH'D BY	DESIGN'D BY	SCALE		
	N/S			